



2016 NORTH AMERICAN PRODUCT CATALOG RESIDENTIAL EQUIPMENT

PRODUCT CATALOG

January 2016
Supersedes June 2015





GAS FURNACES

SLP98UHV... 1
SLP98DFV... 3
SL280UHV... 7
SL280DFV... 9
EL296UHV... 13
EL296DFV... 15
EL296UHE... 19
EL296DFE... 21
EL280UH... 25
EL280DF... 27
EL195UHE... 31
EL195DFE... 33
EL180UHE... 37
EL180DFE... 39

ML195UH... 43
ML195DF... 45
ML193UH... 49
ML193DF... 51
ML180UH... 55
ML180DF... 57

GAS UNIT HEATERS / DUCT FURNACES

LF24... 1
Horizontal, Low Profile, Gas-Fired Unit Heaters; Steady State Efficiency - Up to 81.0%; Input - 30,000 to 75,000 Btuh

OIL FURNACES

SLO185UFV... 1
SLO185BV... 3
ELO183UF... 5
ELO183B... 7
ELO183DH... 9
GWM-IE... 1

NOTE - Due to Lennox' ongoing commitment to quality, Specifications, Ratings and Dimensions subject to change without notice and without incurring liability. Improper installation, adjustment, alteration, service or maintenance can cause property damage or personal injury. Installation and service must be performed by a qualified installer and servicing agency.



WATER HEATERS / BOILERS

GWB9-IH 3
Gas-Fired - Hot Water Boiler; AFUE - 90% ; Input - 50,000 to 100,000 Btuh
GWB8-IE 5
Gas-Fired - Hot Water Boiler; AFUE - Up to 84.4% ; Input - 42,000 to 225,000 Btuh
GWB8-E 7
Gas-Fired - Hot Water Boiler; AFUE - Up to 83.9% ; Input - 50,000 to 299,000 Btuh
GSB8-E 9
Gas-Fired - Steam Boiler; AFUE - Up to 82.7%; Input - 75,000 to 299,000 Btuh
COWB3 11
Oil-Fired - Hot Water Boiler; AFUE - Up to 85.2%; Input - 105,000 to 245,000 Btuh
CBWMV 13
Residential Hot Water Air Handler; Heating Capacity - 23,700 to 220,000 Btuh; Add-On Cooling - 2 - 5 Tons

AIR CONDITIONERS

XC25 1
R-410A - Variable-Capacity Scroll Compressor; SEER - Up to 26.00; 2 to 5 Tons
XC21 3
R-410A - Two-Stage Scroll Compressor; SEER - Up to 21.00; 2 to 5 Tons
SL18XC1 5
R-410A - Scroll Compressor - SilentComfort™ Technology; SEER - Up to 18.50; 2 to 5 Tons
XC17 7
R-410A - Scroll Compressor - SilentComfort™ Technology; SEER - Up to 18.00; 2 to 5 Tons
XC20 9
R-410A - Variable-Capacity Scroll Compressor; SEER - Up to 20.00; 2 to 5 Tons
XC16 11
R-410A - Two-Stage Scroll Compressor; SEER - Up to 17.00; 2 to 5 Tons
XC14 13
R-410A; SEER - Up to 16.00; 1.5 to 5 Tons
XC13 15
R-410A; SEER - Up to 15.50; 1.5 to 5 Tons
14ACX 17
R-410A; SEER - Up to 16.00; 1.5 to 5 Tons
13ACX 19
R-410A; SEER - Up to 15.50; 1.5 to 5 Tons

HEAT PUMP OUTDOOR UNITS

XP25 1
R-410A - Variable-Capacity Scroll Compressor; SEER - Up to 23.50; 2 to 5 Tons
XP21 3
R-410A - Two-Stage Scroll Compressor - SilentComfort™ Technology; SEER - Up to 19.20; 2 to 5 Tons
SL18XP1 5
R-410A - Scroll Compressor - SilentComfort™ Technology; SEER - Up to 18.50; 2 to 5 Tons
XP17 7
R-410A - Scroll Compressor - SilentComfort™ Technology; SEER - Up to 17.50; 2 to 5 Tons
XP20 9
R-410A - Variable-Capacity Scroll Compressor; SEER - Up to 20.00; 2 to 5 Tons
XP16 11
R-410A - Two-Stage Scroll Compressor; SEER - Up to 17.00; 2 to 5 Tons
XP14 13
R-410A; SEER - Up to 16.50; 1.5 to 5 Tons
14HPX 15
R-410A; SEER - Up to 16.00; 1.5 to 5 Tons
SOLAR - KITS / ACCESSORIES
SUNSOURCE® 1
Home Energy System
INDOOR COILS
CX34 1
R-410A - Upflow - Cased; 1.5 to 5 Tons
C33 (CASED) 3
Upflow - Cased; 1.5 to 5 Tons
C33 (UNCASED) 5
Upflow - Uncased; 1.5 to 5 Tons
CH33 7
Horizontal - Cased; 1.5 to 5 Tons
CR33 9
Downflow - Cased; 1.5 to 5 Tons
CH23 13
Horizontal - Cased; 1.5 to 5 Tons
CX35 15
R-410A - Upflow - Cased; 1.5 to 5 Tons
C35 17
Upflow - Cased; 1.5 to 5 Tons
CH35 19
Horizontal - Cased; 1.5 to 5 Tons

NOTE - Due to Lennox' ongoing commitment to quality, Specifications, Ratings and Dimensions subject to change without notice and without incurring liability. Improper installation, adjustment, alteration, service or maintenance can cause property damage or personal injury. Installation and service must be performed by a qualified installer and servicing agency.



AIR HANDLERS

CBX40UHV 1
Multi-Position - R-410A - Variable Speed Blower; 2 to 5 Tons; Optional Electric Heat - 2.5 to 25 kW

CBX32MV 3
Multi-Position - R-410A - Variable Speed Blower; 1.5 to 5+ Tons; Optional Electric Heat - 2.5 to 25 kW

CBX32M 5
Multi-Position - R-410A; 1.5 to 5 Tons; Optional Electric Heat - 2.5 to 25 kW

CBX27UH 7
Upflow / Horizontal - R410A; 1.5 to 5 Tons; Optional Electric Heat - 2.5 to 25 kW

CBX25UHV 9
Upflow / Horizontal - R410A - Programmable Multi-Speed Blower Motor; 1.5 to 5 Tons; Optional Electric Heat - 2.5 to 20 kW

CBX25UH 11
Upflow / Horizontal - R410A; 1.5 to 5 Tons; Optional Electric Heat - 2.5 to 20 kW

MINI-SPLIT SYSTEMS

MS8Z 1
Multi-Zone Heat Pump System - R-410A; SEER - Up to 16.00
HSPF - 8.20

MS8C/MS8H 13
Single-Zone Air Conditioner and Heat Pump System - R-410A; SEER - Up to 22.00; 0.5 to 2.5 Tons

PACKAGED GAS/ELECTRIC

LRP14GE 1
R-410A - AFUE - 81% / SEER - 14.0; 2 to 5 Tons - Net Cooling Capacity - 22,600 to 57,000 Btuh; Heating Input Capacity - 54,000 to 126,000 Btuh

PACKAGED ELECTRIC / ELECTRIC

LRP14AC 1
R-410A; SEER - 14.0 - 2 to 5 Tons; Net Cooling Capacity - 22,600 to 57,000 Btuh

PACKAGED HEAT PUMPS

LRP14HP 1
R-410A - SEER - 14.0 - 2 to 5 Tons; Net Cooling Capacity - 22,600 to 57,000 Btuh; Heating Capacity - 22,000 to 56,000 Btuh

LRP14DF 5
R-410A - SEER - 14.0 - AFUE - 81% - 2 to 5 Tons; Net Cooling Capacity - 22,600 to 57,000 Btuh; Heating Capacity - 22,000 to 56,000 Btuh / Input Gas Heating Capacity - 72,000 to 126,000 Btuh

NOTE - Due to Lennox' ongoing commitment to quality, Specifications, Ratings and Dimensions subject to change without notice and without incurring liability. Improper installation, adjustment, alteration, service or maintenance can cause property damage or personal injury. Installation and service must be performed by a qualified installer and servicing agency.



INDOOR AIR QUALITY

PCO3 1
PUREAIR® Air Purification System

HC11 / HC16 3
MERV 11 and Carbon Clean 16™ (MERV 16) Media Air Cleaners

CARBON CLEAN 16™ FILTERS 5
Boxed Filters

MERV 11 FILTERS 6
Boxed Filters

MERV 16 FILTERS 7
Expandable Filter Kits

MERV 11 FILTERS 8
Expandable Filter Kits

MERV 8 FILTERS 9
Pleated Filters

HEPA 10
HEPA Bypass Air Filtration System

UVC 11
Ultraviolet Germicidal Light

UV 12
Ultraviolet Germicidal Light

LVCS 13
Lennox Ventilation Control System

HCWP3 15
Power Humidifier; 18 Gallons Per Day

HCWB3 16
By-Pass Humidifier; 12 to 17 Gallons Per Day

HRV/ERV 17
Heat Recovery Ventilator; Energy Recovery Ventilator

HCWHD 21
Whole-Home Dehumidifier; Nominal Capacity - 70 to 130 pints per day

EDA 23
Humiditrol® Whole-Home Dehumidification System

ZONING

IHARMONY® ZONING SYSTEM 1
Zoning System for Residential Communicating,; Variable Air Volume Heating/Cooling Systems

HARMONY III™ ZONING SYSTEM 5
Zone Control for Residential, Variable Air Volume; Heating/Cooling Systems

LZP-4 9
Four Zone Control Panel; For Residential, Non-Variable Air Volume, Heating/Cooling Systems

LZP-2 10
Dual Zone Control Panel; For Residential, Non-Variable Air Volume, Heating/Cooling Systems; Not for Heat Pump Systems

CONTROLS

ICOMFORT® S30 1
Wi-Fi Thermostat

ICOMFORT WI-FI® 2
Wi-Fi Thermostat

EIM 3
iComfort® Equipment Interface Module (EIM)

COMFORTSENSE® 7500 4
Touchscreen 7 Day Programmable Thermostat

COMFORTSENSE® 5500 5
Touchscreen 7 Day Programmable Thermostats

COMFORTSENSE® 3000 6
5-2 Day Programmable Thermostats

COMFORTSENSE® 3000 7
Non-Programmable Thermostats

DSL 8
Digital Slimline Thermostats

NOTE – Due to Lennox' ongoing commitment to quality, Specifications, Ratings and Dimensions subject to change without notice and without incurring liability. Improper installation, adjustment, alteration, service or maintenance can cause property damage or personal injury. Installation and service must be performed by a qualified installer and servicing agency.



GAS FURNACES SLP98UHV

DAVE LENNOX SIGNATURE® COLLECTION

PRODUCT CATALOG

Upflow/Horizontal - Precise Comfort™ Variable Capacity Heating
AirFlex™ Variable Speed Blower - Direct Vent - SilentComfort™ Technology
AFUE - Up to 98.7% - Input - 66,000 to 132,000 Btuh

FEATURES

Heating System

- Lennox Duralok Plus™ Aluminized Steel Heat Exchanger Assembly
- Aluminized Steel Inshot Burners
- Variable Capacity Gas Control Valve with 100% Safety Shutoff
- Flame Rollout Switch
- SureLight® Hot Surface Ignitor
- Variable Speed Combustion Air Inducer
- Limit Control

Direct Vent Sealed Combustion

Direct Vent - combustion air supplied from outdoors

SureLight® Control (iComfort® compatible)

iComfort® Control communicates information about the unit to the  *iComfort* S30 thermostat. So simple. So smart. So comfortable.

24 Volt Transformer

Applicable to the *iHarmony*® Zoning System.

Variable-Speed Blower Motor

High efficiency, variable speed ECM (Electronically Commutated Motor) Maintains specified air volumes up to a maximum of 1.0 in. w.g. total external static.

Cabinet

Upflow, horizontal-left or horizontal-right applications.

Bottom/end or side return air

Pre-painted cabinet finish

Sealed blower compartment

Inner blower compartment access panel.

Fully insulated cabinet with foil-faced insulation on sides and back of heating compartment and mat-faced insulation in blower compartment.

Coil Match-up

All furnaces match C33/35 and CX34/35 cased upflow indoor coils and CH33 horizontal indoor coils with same letter designation in model number.



ACCESSORIES

See page 5

Cabinet

- Condensate Kits
- Condensate Drain Heat Cable
- Crawl Space Vent Drain Kit
- Horizontal Suspension Kit
- Return Air Base

Controls

- iComfort® S30 Thermostat
- ComfortSense® 7500 Thermostat
- Thermostat
- iHarmony® Zoning System

Filter Kits

- Air Filter and Rack Kits

Gas Heating

- Gas Conversion Kits
- High Altitude Pressure Switch Kits
- Termination Kits

Service Kits

- Night Service Kit
- Universal Service Kit - Switches

LIMITED WARRANTY

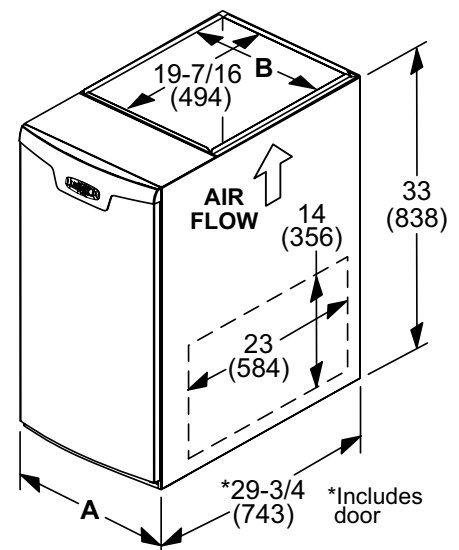
Heat Exchanger - lifetime

All other covered components - ten years

Refer to Lennox Equipment Limited Warranty certificate included with equipment for details

Furnace Width		"B"	"C"	"D"
A Dimension	Width	17-1/2 (446)	21 (533)	24-1/2 (622)
	Depth	16-3/8 (416)	19-7/8 (454)	23-3/8 (546)
Bottom return	Width	16 (406)	19-1/2 (495)	23 (584)
	Depth	23-1/2 (597)	23-1/2 (597)	23-1/2 (597)

DIMENSIONS



NOTE - Due to Lennox' ongoing commitment to quality, Specifications, Ratings and Dimensions subject to change without notice and without incurring liability. Improper installation, adjustment, alteration, service or maintenance can cause property damage or personal injury. Installation and service must be performed by a qualified installer and servicing agency.

SPECIFICATIONS

Gas Heating Performance	Model No.	SLP98UH070XV36B	SLP98UH090XV36C	SLP98UH090XV48C
	¹ AFUE	98.0%	98.0%	98.0%
Maximum	Input - Btuh	66,000	88,000	88,000
	Output - Btuh	64,000	85,000	85,000
	Temperature rise range - °F	50 - 80	60 - 90	50 - 80
	Gas Manifold Pressure (in. w.g.) NG/LPG	3.5 / 10.0	3.5 / 10.0	3.5 / 10.0
Minimum	Input - Btuh	22,000	31,000	31,000
	Output - Btuh	23,000	30,000	30,000
	Temperature rise range - °F	35 - 65	35 - 65	35 - 65
	Gas Manifold Pressure (in. w.g.) NG/LPG	0.5 / 1.5	0.5 / 1.5	0.5 / 1.5
	High static - in. w.g.	0.8	0.8	0.8
Connections in.	Intake / Exhaust Pipe (PVC)	2 / 2	2 / 2	2 / 2
	Gas pipe size IPS	1/2	1/2	1/2
	Condensate Drain Trap (PVC pipe) - i.d.	3/4	3/4	3/4
	with furnished 90° street elbow	3/4 slip x 3/4 Mipt	3/4 slip x 3/4 Mipt	3/4 slip x 3/4 Mipt
	with field supplied (PVC coupling) - o.d.	3/4 slip x 3/4 MPT	3/4 slip x 3/4 MPT	3/4 slip x 3/4 MPT
Indoor Blower	Wheel nominal diameter x width - in.	10 x 9	10 x 9	11 x 11
	Motor output - hp	1/2	1/2	3/4
	Tons of add-on cooling	2 - 3	2 - 3.5	2.5 - 4
	Air Volume Range - cfm	339 - 1365	520 - 1360	528 - 1770
Electrical Data	Voltage (Maximum Amps)	120 volts - 60 hertz - 1 phase		
	Blower motor full load amps	7.7	7.7	10.1
	Maximum overcurrent protection	15	15	15
Shipping Data	lbs. - 1 package	138	155	165

NOTE - Filters and provisions for mounting are not furnished and must be field provided.

¹ Annual Fuel Utilization Efficiency based on DOE test procedures and according to FTC labeling regulations. Isolated combustion system rating for non-weatherized furnaces.

SPECIFICATIONS

Gas Heating Performance	Model No.	SLP98UH090XV60C	SLP98UH110XV60C	SLP98UH135XV60D
	¹ AFUE	98.7%	98.0%	98.0%
Maximum	Input - Btuh	88,000	110,000	132,000
	Output - Btuh	85,000	106,000	128,000
	Temperature rise range - °F	50 - 80	50 - 80	55 - 85
	Gas Manifold Pressure (in. w.g.) NG/LPG	3.5 / 10.0	3.5 / 10.0	3.5 / 10.0
Minimum	Input - Btuh	31,000	39,000	46,000
	Output - Btuh	30,000	38,000	45,000
	Temperature rise range - °F	35 - 65	35 - 65	35 - 65
	Gas Manifold Pressure (in. w.g.) NG/LPG	0.5 / 1.5	0.5 / 1.5	0.5 / 1.5
	High static - in. w.g.	0.8	0.8	0.8
Connections in.	Intake / Exhaust Pipe (PVC)	2 / 2	2 / 2	2 / 2
	Gas pipe size IPS	1/2	1/2	1/2
	Condensate Drain Trap (PVC pipe) - i.d.	3/4	3/4	3/4
	with furnished 90° street elbow	3/4 slip x 3/4 Mipt	3/4 slip x 3/4 Mipt	3/4 slip x 3/4 Mipt
	with field supplied (PVC coupling) - o.d.	3/4 slip x 3/4 MPT	3/4 slip x 3/4 MPT	3/4 slip x 3/4 MPT
Indoor Blower	Wheel nominal diameter x width - in.	11 x 11	11 x 11	11 x 11
	Motor output - hp	1	1	1
	Tons of add-on cooling	3 - 5	3 - 5	3.5 - 5
	Air Volume Range - cfm	375 - 2195	554 - 2125	634 - 2190
Electrical Data	Voltage (Maximum Amps)	120 volts - 60 hertz - 1 phase		
	Blower motor full load amps	12.8	12.8	12.8
	Maximum overcurrent protection	20	20	20
Shipping Data	lbs. - 1 package	165	175	190

NOTE - Filters and provisions for mounting are not furnished and must be field provided.

¹ Annual Fuel Utilization Efficiency based on DOE test procedures and according to FTC labeling regulations. Isolated combustion system rating for non-weatherized furnaces.



NOTE - Due to Lennox' ongoing commitment to quality, Specifications, Ratings and Dimensions subject to change without notice and without incurring liability. Improper installation, adjustment, alteration, service or maintenance can cause property damage or personal injury. Installation and service must be performed by a qualified installer and servicing agency.



PRODUCT CATALOG

GAS FURNACES SLP98DFV

DAVE LENNOX SIGNATURE® COLLECTION

Downflow - Precise Comfort™ Variable Capacity Heating
AirFlex™ Variable Speed Blower - Direct Vent - SilentComfort™ Technology
AFUE - 97.5% - Input - 66,000 to 110,000 Btuh

Page 3
January 2016
Supersedes June 2015

FEATURES

Heating System

- Lennox Duralok Plus™ Aluminized Steel Heat Exchanger Assembly
- Aluminized Steel Inshot Burners
- Variable Capacity Gas Control Valve with 100% Safety Shutoff
- Flame Rollout Switch
- SureLight® Hot Surface Ignitor
- Variable Speed Combustion Air Inducer
- Limit Control

Direct Vent Sealed Combustion

Direct Vent - combustion air supplied from outdoors

SureLight® Control (iComfort® compatible)

iComfort® Control communicates information about the unit to the iComfort® S30 thermostat.



24 Volt Transformer

Applicable to the iHarmony® Zoning System.

Variable-Speed Blower Motor

High efficiency, variable speed ECM (Electronically Commutated Motor) Maintains specified air volumes up to a maximum of 1.0 in. w.g. total external static.

Cabinet

- Downflow applications
- Pre-painted cabinet finish
- Sealed blower compartment
- Inner blower compartment access panel.
- Fully insulated cabinet with foil-faced insulation on sides and back of heating compartment and mat-faced insulation in blower compartment.

Coil Match-up

CR33 downflow indoor coils will physically match the furnace supply air opening with the same letter designation in the model number.



ACCESSORIES

See page 5

Cabinet

- Downflow Combustible Flooring Base
- Condensate Kits
- Condensate Drain Heat Cable
- Crawl Space Vent Drain Kit
- Return Air Base

Controls

- iComfort® S30 Thermostat
- ComfortSense® 7500 Thermostat
- Thermostat
- iHarmony® Zoning System

Filter Kits

- Downflow Filter Kits

Gas Heating

- Gas Conversion Kits
- High Altitude Pressure Switch Kits
- Termination Kits

Service Kits

- Night Service Kit
- Universal Service Kit - Switches

LIMITED WARRANTY

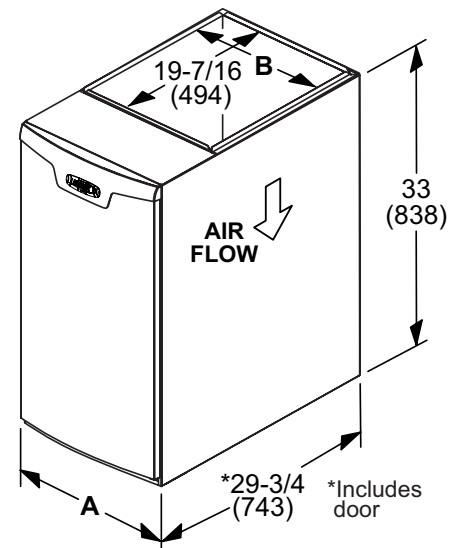
Heat Exchanger - lifetime

All other covered components - ten years

Refer to Lennox Equipment Limited Warranty certificate included with equipment for details

DIMENSIONS

Furnace Width		"B"	"C"
A Dimension	Width	17-1/2 (446)	21 (533)
	Depth	16 (406)	19-1/2 (495)
B Dimension	Width	16-3/8 (416)	19-7/8 (454)
	Depth	19-1/4 (489)	19-1/4 (489)



NOTE - Due to Lennox' ongoing commitment to quality, Specifications, Ratings and Dimensions subject to change without notice and without incurring liability. Improper installation, adjustment, alteration, service or maintenance can cause property damage or personal injury. Installation and service must be performed by a qualified installer and servicing agency.

SPECIFICATIONS					
Gas	Model No.	SLP98DF070XV36B	SLP98DF090XV36C	SLP98DF090XV48C	
Heating	¹ AFUE	97.5%	97.5%	97.5%	
Performance	Maximum	Input - Btuh	66,000	88,000	88,000
		Output - Btuh	64,000	84,000	85,000
	Temperature rise range - °F	50 - 80	60 - 90	50 - 80	
	Gas Manifold Pressure (in. w.g.) NG/LPG	3.5 / 10.0	3.5 / 10.0	3.5 / 10.0	
	Minimum	Input - Btuh	23,000	31,000	31,000
		Output - Btuh	22,000	30,000	30,000
	Temperature rise range - °F	35 - 65	35 - 65	35 - 65	
	Gas Manifold Pressure (in. w.g.) NG/LPG	0.5 / 1.5	0.5 / 1.5	0.5 / 1.5	
	High static - in. w.g.	0.8	0.8	0.8	
	Connections in.	Intake / Exhaust Pipe (PVC)	2 / 2	2 / 2	2 / 2
Gas pipe size IPS		1/2	1/2	1/2	
Condensate Drain Trap (PVC pipe) - i.d.		3/4	3/4	3/4	
with furnished 90° street elbow with field supplied (PVC coupling) - o.d.		3/4 slip x 3/4 Mipt 3/4 slip x 3/4 MPT	3/4 slip x 3/4 Mipt 3/4 slip x 3/4 MPT	3/4 slip x 3/4 Mipt 3/4 slip x 3/4 MPT	
Indoor Blower	Wheel nominal diameter x width - in.	10 x 9	10 x 9	11 x 11	
	Motor output - hp	1/2	1/2	3/4	
	Tons of add-on cooling	2 - 3	2 - 3	3 - 4	
	Air Volume Range - cfm	410 - 1365	488 - 1385	545 - 1745	
Electrical Data	Voltage (Maximum Amps)	120 volts - 60 hertz - 1 phase			
	Blower motor full load amps	7.7	7.7	10.1	
	Maximum overcurrent protection	15	15	15	
Shipping Data	lbs. - 1 package	140	155	165	

NOTE - Filters and provisions for mounting are not furnished and must be field provided.

¹ Annual Fuel Utilization Efficiency based on DOE test procedures and according to FTC labeling regulations. Isolated combustion system rating for non-weatherized furnaces.

SPECIFICATIONS				
Gas	Model No.	SLP98DF090XV60C	SLP98DF110XV60C	
Heating	¹ AFUE	97.5%	97.5%	
Performance	Maximum	Input - Btuh	88,000	110,000
		Output - Btuh	85,000	107,000
	Temperature rise range - °F	50 - 80	50 - 80	
	Gas Manifold Pressure (in. w.g.) NG/LPG	3.5 / 10.0	3.5 / 10.0	
	Minimum	Input - Btuh	31,000	39,000
		Output - Btuh	30,000	38,000
	Temperature rise range - °F	35 - 65	35 - 65	
	Gas Manifold Pressure (in. w.g.) NG/LPG	0.5 / 1.5	0.5 / 1.5	
	High static - in. w.g.	0.8	0.8	
	Connections in.	Intake / Exhaust Pipe (PVC)	2 / 2	2 / 2
Gas pipe size IPS		1/2	1/2	
Condensate Drain Trap (PVC pipe) - i.d.		3/4	3/4	
with furnished 90° street elbow with field supplied (PVC coupling) - o.d.		3/4 slip x 3/4 Mipt 3/4 slip x 3/4 MPT	3/4 slip x 3/4 Mipt 3/4 slip x 3/4 MPT	
Indoor Blower	Wheel nominal diameter x width - in.	11 x 11	11 x 11	
	Motor output - hp	1	1	
	Tons of add-on cooling	3.5 - 5	3.5 - 5	
	Air Volume Range - cfm	467 - 2130	575 - 2180	
Electrical Data	Voltage (Maximum Amps)	120 volts - 60 hertz - 1 phase		
	Blower motor full load amps	12.8	12.8	
	Maximum overcurrent protection	20	20	
Shipping Data	lbs. - 1 package	165	174	

NOTE - Filters and provisions for mounting are not furnished and must be field provided.

¹ Annual Fuel Utilization Efficiency based on DOE test procedures and according to FTC labeling regulations. Isolated combustion system rating for non-weatherized furnaces.



NOTE - Due to Lennox' ongoing commitment to quality, Specifications, Ratings and Dimensions subject to change without notice and without incurring liability.

Improper installation, adjustment, alteration, service or maintenance can cause property damage or personal injury.

Installation and service must be performed by a qualified installer and servicing agency.

©2016 Lennox Industries Inc.



SLP98UHV, SLP98DFV - OPTIONAL ACCESSORIES

PRODUCT CATALOG

Page 5
January 2016
Supersedes June 2015

OPTIONAL ACCESSORIES - ORDER SEPARATELY

NOTE - FURNACE CANNOT BE TWINNED!

			"B" Width	"C" Width	"D" Width
CABINET ACCESSORIES					
Downflow Combustible Flooring Base - Downflow only			11M60	11M61	---
Horizontal Suspension Kit - Horizontal only			51W10	51W10	51W10
Return Air Base - Upflow only			50W98	50W99	51W00
CONDENSATE DRAIN KITS					
Condensate Drain Heat Cable	6 ft.		26K68	26K68	26K68
	24 ft.		26K69	26K69	26K69
Crawl Space Vent Drain Kit			51W18	51W18	51W18
CONTROLS					
iComfort® S30 Thermostat			12U67	12U67	12U67
¹ Remote Outdoor Air Temperature Sensor (for dual fuel and Humiditrol®)			X2658	X2658	X2658
² Discharge Air Temperature Sensor			88K38	88K38	88K38
ComfortSense® 7500 Thermostat			13H14	13H14	13H14
³ Remote Outdoor Air Temperature Sensor (for dual fuel and Humiditrol®)			X2658	X2658	X2658
DOWNFLOW FILTER KITS					
Downflow Filter Cabinet			51W07	51W08	---
			⁴ No. and size of filter - in. (2) 16 x 20 x 1	(2) 16 x 20 x 1	---
UPFLOW/HORIZONTAL FILTER KITS					
⁴ Air Filter and Rack Kit	Horizontal (end)	Size of filter - in.	87L96	87L97	87L98
			18 x 25 x 1	20 x 25 x 1	25 x 25 x 1
	Side Return	Single	44J22	44J22	44J22
		Ten Pack	66K63	66K63	66K63
		Size of filter - in.	16 x 25 x 1	16 x 25 x 1	16 x 25 x 1
SERVICE KITS					
Night Service Kit			10U37	10U37	10U37
Universal Service Kit - Switches			89W20	89W20	89W20
TERMINATION KITS - Direct Vent Applications Only. See Installation Instructions for specific venting information.					
Termination Kits	Concentric	US - 2 in.	71M80	69M29	---
		3 in.	---	60L46	60L46
	Canada	2 in.	44W92	44W92	---
		3 in.	---	44W93	44W93
	Flush-Mount	US - 2, 2-1/2 or 3 in.	51W11	51W11	51W11
		Canada - 2, 2-1/2 or 3 in.	51W12	51W12	51W12
	Wall - Close Couple	US - 2 in.	22G44	---	---
		3 in.	44J40	44J40	44J40
	Wall - Close Couple WTK	Canada - 2 in.	30G28	---	---
		3 in.	81J20	81J20	81J20
Termination Kits	Roof	2 in.	15F75	15F75	---
	Wall - Wall Ring Kit	2 in.	15F74	15F74	---
Roof Termination Flashing Kit (2 flashings)			3 in.	44J41	44J41

¹ Remote Outdoor Temperature Sensor is used with conventional (non-iComfort®-enabled) outdoor units (sensor is furnished with iComfort®-enabled outdoor units). Allows the thermostat to display outdoor temperature. Required in dual-fuel and Humiditrol® applications.

² Optional for service diagnostics.

³ Remote Outdoor Temperature Sensor for ComfortSense® 7500 Thermostat must be connected directly to the thermostat, Do not connect it to the SureLight® control.

⁴ Cleanable frame type filter.

NOTE - Termination Kits 44W92, 44W93, 30G28, 51W12, 81J20 are certified to ULC S636 standard for use in Canada only.



GAS HEAT ACCESSORIES

Input	High Altitude Pressure Switch Kit	Natural Gas to LPG/Propane Kit	LPG/Propane to Natural Gas Kit
	7501 - 10,000 ft.	0 - 10,000 ft.	0 - 10,000 ft.
All models	14A40 (Upflow/Horizontal) 14A42 (Downfow)	65W77	70W87

NOTE – Due to Lennox' ongoing commitment to quality, Specifications, Ratings and Dimensions subject to change without notice and without incurring liability. Improper installation, adjustment, alteration, service or maintenance can cause property damage or personal injury. Installation and service must be performed by a qualified installer and servicing agency.



PRODUCT CATALOG

**GAS FURNACES
SL280UHV**

DAVE LENNOX SIGNATURE® COLLECTION

Upflow/Horizontal - Two-Stage Heat - Variable Speed Blower
SilentComfort™ Technology
AFUE - 80% - Input - 66,000 to 132,000 Btuh

Page 7
January 2016
Supersedes June 2015

NOTE - Not Available In Canada!

FEATURES

Heating System

- Lennox Duralok™ Aluminized Steel Heat Exchanger Assembly
- Aluminized Steel Inshot Burners
- Two-Stage Gas Control Valve with 100% Safety Shutoff
- Flame Rollout Switches
- Limit Controls
- SureLight® Hot Surface Ignitor
- Two-Speed Combustion Air Inducer

SureLight® Control (iComfort® compatible)

iComfort® Control communicates information about the unit to the  *iComfort® S30* thermostat. So simple. So smart. So comfortable.

- 24 Volt Transformer
- Field Wiring Make-up Box
- Applicable to the *iHarmony® Zoning System*.

Variable-Speed Blower Motor

High efficiency, variable speed ECM (Electronically Commutated Motor) Maintains specified air volumes up to a maximum of 1.0 in. w.g. (cooling) total external static.

Cabinet

- Upflow, horizontal-left or horizontal-right applications.
- Bottom/end or side return air
- Pre-painted cabinet finish
- Sealed blower compartment
- Inner blower compartment access panel.
- Fully insulated cabinet with foil-faced insulation on sides and back of heating compartment and mat-faced insulation in blower compartment.

Coil Match-up

All furnaces match C33/35 and CX34/35 cased upflow indoor coils and CH33 horizontal indoor coils with same letter designation in model number.



ACCESSORIES

See page 11

Cabinet

- Horizontal Suspension Kit
- Return Air Base

Controls

- iComfort® S30 Thermostat
- ComfortSense® 7500 Thermostat
- Thermostat
- iHarmony® Zoning System

Filter Kits

- Air Filter and Rack Kits

Gas Heating

- Gas Conversion Kits
- High Altitude Pressure Switch Kits

Service Kits

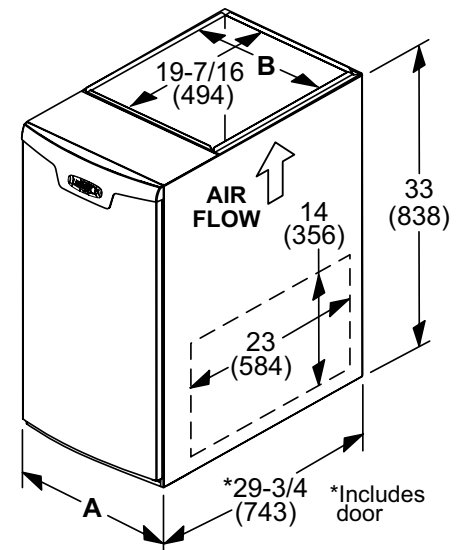
- Night Service Kit
- Universal Service Kit - Switches

LIMITED WARRANTY

Heat Exchanger - twenty years
All other covered components - ten years
Refer to Lennox Equipment Limited Warranty certificate included with equipment for details

Furnace Width	"A"	"B"	"C"	"D"
A Dimension	14-1/2 (368)	17-1/2 (446)	21 (533)	24-1/2 (622)
B Dimension	13-3/8 (340)	16-3/8 (416)	19-7/8 (454)	23-3/8 (546)
Bottom Width return	13 (330)	16 (406)	19-1/2 (495)	23 (584)
Depth	23-1/2 (597)	23-1/2 (597)	23-1/2 (597)	23-1/2 (597)

DIMENSIONS



NOTE - Due to Lennox' ongoing commitment to quality, Specifications, Ratings and Dimensions subject to change without notice and without incurring liability. Improper installation, adjustment, alteration, service or maintenance can cause property damage or personal injury. Installation and service must be performed by a qualified installer and servicing agency.

SPECIFICATIONS				
Gas Heating Performance	Model No.	SL280UH070V36A	SL280UH090V36B	SL280UH090V48B
	Model No. - Low Nox	SL280UH070XV36A	- - -	SL280UH090XV48B
	¹ AFUE	80%	80%	80%
High Fire	Input - Btuh	66,000	88,000	88,000
	Output - Btuh	52,000	70,000	70,000
	Temperature rise range - °F	40 - 70	40 - 70	40 - 70
	Gas Manifold Pressure (in. w.g.)	3.5 / 10	3.5 / 10	3.5 / 10
	Nat. Gas / LPG/Propane			
Low Fire	Input - Btuh	43,000	57,000	57,000
	Output - Btuh	35,000	47,000	47,000
	Temperature rise range - °F	25 -55	25 -55	25 -55
	Gas Manifold Pressure (in. w.g.)	1.7 / 4.9	1.7 / 4.9	1.7 / 4.9
	Nat. Gas / LPG/Propane			
High static - in. w.g.	Heating	0.8	0.8	0.8
	Cooling	1.0	1.0	1.0
Connections in.	Flue connection - in. round	4	4	4
	Gas pipe size IPS	1/2	1/2	1/2
Indoor Blower	Wheel nominal diameter x width - in.	10 X 8	10 X 9	11-1/2 X 9
	Motor output - hp	1/2	1/2	1.0
	Tons of add-on cooling	2 - 3	2 - 3.5	2.5 - 4
	Air Volume Range - cfm	606 - 1345	498 - 1393	679 - 2002
Electrical Data	Voltage	120 volts - 60 hertz - 1 phase		
	Maximum overcurrent protection	15	15	20
Shipping Data	lbs. - 1 package	128	143	154

NOTE - Filters and provisions for mounting are not furnished and must be field provided.

¹ Annual Fuel Utilization Efficiency based on DOE test procedures and according to FTC labeling regulations. Isolated combustion system rating for non-weatherized furnaces.

SPECIFICATIONS				
Gas Heating Performance	Model No.	SL280UH090V60C	SL280UH110V60C	SL280UH135V60D
	Model No. - Low Nox	- - -	SL280UH110XV60C	- - -
	¹ AFUE	80%	80%	80%
High Fire	Input - Btuh	88,000	110,000	132,000
	Output - Btuh	70,000	87,000	105,000
	Temperature rise range - °F	35 - 65	35 - 65	40 - 70
	Gas Manifold Pressure (in. w.g.)	3.5 / 10.0	3.5 / 10.0	3.5 / 10.0
	Nat. Gas / LPG/Propane			
Low Fire	Input - Btuh	57,000	72,000	86,000
	Output - Btuh	47,000	58,000	64,000
	Temperature rise range - °F	25 -55	25 -55	25 -55
	Gas Manifold Pressure (in. w.g.)	1.7 / 4.9	1.7 / 4.9	1.7 / 4.9
	Nat. Gas / LPG/Propane			
High static - in. w.g.	Heating	0.8	0.8	0.8
	Cooling	1.0	1.0	1.0
Connections in.	Flue connection - in. round	4	4	² 4
	Gas pipe size IPS	1/2	1/2	1/2
Indoor Blower	Wheel nominal diameter x width - in.	11-1/2 X 10	11-1/2 X 10	11-1/2 X 11
	Motor output - hp	1.0	1.0	1.0
	Tons of add-on cooling	3 - 5	3 - 5	3.5 - 5
	Air Volume Range - cfm	826 - 2305	812 - 2125	828 - 2257
Electrical Data	Voltage	120 volts - 60 hertz - 1 phase		
	Maximum overcurrent protection	20	20	20
Shipping Data	lbs. - 1 package	173	181	199

NOTE - Filters and provisions for mounting are not furnished and must be field provided.

¹ Annual Fuel Utilization Efficiency based on DOE test procedures and according to FTC labeling regulations. Isolated combustion system rating for non-weatherized furnaces.

² Flue connection on the unit is 4 in. diameter. Most applications will require 5 in. venting and field supplied 4 x 5 in. adaptor. See Venting Tables in the Installation Instructions for detailed information.





PRODUCT CATALOG

GAS FURNACES SL280DFV DAVE LENNOX SIGNATURE® COLLECTION

Downflow - Two-Stage Heat - Variable Speed Blower
SilentComfort™ Technology
AFUE - 80% - Input - 66,000 to 110,000 Btuh

Page 9
January 2016
Supersedes June 2015

NOTE - Not Available In Canada!

FEATURES

Heating System

- Lennox Duralok™ Aluminized Steel Heat Exchanger Assembly
- Aluminized Steel Inshot Burners
- Two-Stage Gas Control Valve with 100% Safety Shutoff
- Flame Rollout Switches
- Limit Controls
- SureLight® Hot Surface Ignitor
- Two-Speed Combustion Air Inducer

SureLight® Control (iComfort® compatible)

iComfort® Control communicates information about the unit to the  iComfort® S30 thermostat. So simple. So smart. So comfortable.

- 24 Volt Transformer
- Field Wiring Make-up Box
- Applicable to the iHarmony® Zoning System.

Variable-Speed Blower Motor

High efficiency, variable speed ECM (Electronically Commutated Motor) Maintains specified air volumes up to a maximum of 1.0 in. w.g. (cooling) total external static.

Cabinet

- Downflow applications.
- Pre-painted cabinet finish
- Sealed blower compartment
- Inner blower compartment access panel.
- Fully insulated cabinet with foil-faced insulation on sides and back of heating compartment and mat-faced insulation in blower compartment.

Coil Match-up

CR33 downflow indoor coils will physically match the furnace supply air opening with the same letter designation in the model number.



ACCESSORIES

See page 11

Cabinet

- Downflow Combustible Flooring Base

Controls

- iComfort® S30 Thermostat
- ComfortSense® 7500 Thermostat
- Thermostat
- iHarmony® Zoning System

Filters

- Downflow Filter Kits

Gas Heating

- Gas Conversion Kits
- High Altitude Pressure Switch Kits

Service Kits

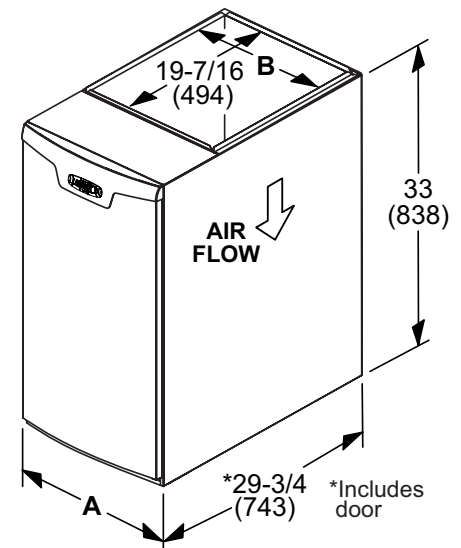
- Night Service Kit
- Universal Service Kit - Switches

LIMITED WARRANTY

Heat Exchanger - twenty years
All other covered components - ten years
Refer to Lennox Equipment Limited Warranty certificate included with equipment for details

Furnace Width	"A"	"B"	"C"
A Dimension	14-1/2 (368)	17-1/2 (446)	21 (533)
B Dimension	13-3/8 (340)	16-3/8 (416)	19-7/8 (454)
Bottom Width supply	13 (330)	16 (406)	19-1/2 (495)
Depth	19-1/4 (489)	19-1/4 (489)	19-1/4 (489)

DIMENSIONS



NOTE - Due to Lennox' ongoing commitment to quality, Specifications, Ratings and Dimensions subject to change without notice and without incurring liability. Improper installation, adjustment, alteration, service or maintenance can cause property damage or personal injury. Installation and service must be performed by a qualified installer and servicing agency.

SPECIFICATIONS

Gas Heating Performance		Model No.	SL280DF070V36A	SL280DF090V48B	SL280DF090V60C	SL280DF110V60C
		¹ AFUE	80%	80%	80%	80%
High Fire	Input - Btuh		66,000	88,000	88,000	110,000
	Output - Btuh		52,000	69,000	70,000	87,000
		Temperature rise range - °F	35-65	35-65	35-65	35-65
		Gas Manifold Pressure (in. w.g.) Nat. Gas / LPG/Propane	3.5 / 10.0	3.5 / 10.0	3.5 / 10.0	3.5 / 10.0
Low Fire	Input - Btuh		43,000	57,000	57,000	72,000
	Output - Btuh		35,000	46,000	46,000	59,000
		Temperature rise range - °F	25-55	25-55	25-55	25-55
		Gas Manifold Pressure (in. w.g.) Nat. Gas / LPG/Propane	1.7 / 4.9	1.7 / 4.9	1.7 / 4.9	1.7 / 4.9
High static - in. w.g.	Heating		0.8	0.8	0.8	0.8
	Cooling		1.0	1.0	1.0	1.0
Connections in.	Flue connection - in. round		4	4	4	4
	Gas pipe size IPS		1/2	1/2	1/2	1/2
Indoor Blower	Wheel nominal diameter x width - in.		10 x 8	11 x 9	11 x 10	11 x 10
	Motor output - hp		1/2	1	1	1
	Tons of add-on cooling		2 - 3	3 - 4	3.5 - 5	3.5 - 5
	Air Volume Range - cfm		589 - 1514	830 - 1996	899 - 2273	882 - 2120
Electrical Data	Voltage		120 volts - 60 hertz - 1 phase			
	Maximum overcurrent protection		15	20	20	20
Shipping Data	lbs. - 1 package		130	153	164	173

NOTE - Filters and provisions for mounting are not furnished and must be field provided.

¹ Annual Fuel Utilization Efficiency based on DOE test procedures and according to FTC labeling regulations. Isolated combustion system rating for non-weatherized furnaces.



NOTE - Due to Lennox' ongoing commitment to quality, Specifications, Ratings and Dimensions subject to change without notice and without incurring liability. Improper installation, adjustment, alteration, service or maintenance can cause property damage or personal injury. Installation and service must be performed by a qualified installer and servicing agency.



OPTIONAL ACCESSORIES - ORDER SEPARATELY

NOTE - FURNACE CANNOT BE TWINNED!

	"A" Width	"B" Width	"C" Width	"D" Width
--	-----------	-----------	-----------	-----------

CABINET ACCESSORIES

Downflow Combustible Flooring Base - Downflow only	11M59	11M60	11M61	---
Horizontal Suspension Kit - Horizontal only	51W10	51W10	51W10	51W10
Return Air Base - Upflow only	65W75	50W98	50W99	51W00

CONTROLS

iComfort® S30Thermostat	12U67	12U67	12U67	12U67
¹ Remote Outdoor Air Temperature Sensor (for dual fuel and Humiditrol®)	X2658	X2658	X2658	X2658
² Discharge Air Temperature Sensor	88K38	88K38	88K38	88K38
ComfortSense® 7500 Thermostat	13H14	13H14	13H14	13H14
³ Remote Outdoor Air Temperature Sensor (for dual fuel and Humiditrol®)	X2658	X2658	X2658	X2658

DOWNFLOW FILTER KITS

Downflow Filter Cabinet	51W06	51W07	51W08	---
¹ No. and size of filter - in.	(1) 20 x 20 x 1	(2) 16 x 20 x 1	(2) 16 x 20 x 1	---

UPFLOW/HORIZONTAL FILTER KITS

⁴ Air Filter and Rack Kit	Horizontal (end)	87L95	87L96	87L97	87L98
	Size of filter - in.	14 x 25 x 1	18 x 25 x 1	20 x 25 x 1	25 x 25 x 1
	Side Return	44J22	44J22	44J22	44J22
	Single	66K63	66K63	66K63	66K63
	Ten Pack	66K63	66K63	66K63	66K63
	Size of filter - in.	16 x 25 x 1	16 x 25 x 1	16 x 25 x 1	16 x 25 x 1

SERVICE KITS

Night Service Kit	14C98	14C98	14C98	14C98
Universal Service Kit - Switches	89W19	89W19	89W19	89W19

VENTING

Vent Adaptor - 6 in. connection size upflow applications only	18M79	18M79	18M79	18M79
---	-------	-------	-------	-------

¹ Remote Outdoor Temperature Sensor is used with conventional (non-iComfort®-enabled) outdoor units (sensor is furnished with iComfort®-enabled outdoor units). Allows the thermostat to display outdoor temperature. Required in dual-fuel and Humiditrol® applications.

² Optional for service diagnostics.

³ Remote Outdoor Temperature Sensor for ComfortSense® 7500 Thermostat must be connected directly to the thermostat. Do not connect it to the SureLight® control.

⁴ Cleanable frame type filter.

GAS HEAT ACCESSORIES

Input	High Altitude Pressure Switch Kit				Natural Gas to LPG/Propane Kit	LPG/Propane to Natural Gas Kit	Natural Gas High Altitude Orifice Kit	LPG/Propane High Altitude Orifice Kit
	0 - 4500 ft.	4501 - 7500 ft.	7501 - 10,000 ft.		0 - 7500 ft.	0 - 7500 ft.	7501 - 10,000 ft.	7501 - 10,000 ft.
		UH	DF					
070	No Change	No Change	73W35	73W36	11K51	77W09	73W37	77W11
090	No Change	69W56	73W35	73W36	11K51	77W09	73W37	77W11
110	No Change	69W56	73W35	73W35	11K51	77W09	73W37	77W11
135	No Change	73W33	73W34	---	11K51	77W09	73W37	77W11

NOTE - Due to Lennox' ongoing commitment to quality, Specifications, Ratings and Dimensions subject to change without notice and without incurring liability. Improper installation, adjustment, alteration, service or maintenance can cause property damage or personal injury. Installation and service must be performed by a qualified installer and servicing agency.



PRODUCT CATALOG

**GAS FURNACES
EL296UHV
ELITE® SERIES**

**Upflow/Horizontal - Two-Stage Heat - Variable Speed Blower
Direct/Non-Direct Vent
AFUE - 96% - Input - 44,000 to 132,000 Btuh**

Page 13
January 2016
Supersedes June 2015

FEATURES

Heating System

- Lennox Duralok Plus™ Aluminized Steel Heat Exchanger Assembly
- Aluminized Steel Inshot Burners
- Two-Stage Gas Control Valve with 100% Safety Shutoff
- Flame Rollout Switches
- Limit Controls
- SureLight® Hot Surface Ignitor
- Two-Speed Combustion Air Inducer

Direct Vent/Non-Direct Vent Sealed Combustion

- Direct Vent - combustion air supplied from outdoors
- Non-Direct Vent - combustion air supplied from indoors

SureLight® Control (iComfort® compatible)

iComfort® Control communicates information about the unit to the iComfort® S30 thermostat.
24 Volt Transformer



Field Wiring Make-up Box
Applicable to the iHarmony® Zoning System.

Variable-Speed Blower Motor

High efficiency, variable speed ECM (Electronically Commutated Motor)
Maintains specified air volumes up to a maximum of 1.0 in. w.g. (cooling) total external static.

Cabinet

Upflow, downflow, horizontal-left or horizontal-right applications without any internal modifications to the unit.
Pre-painted cabinet finish
Fully insulated cabinet with foil-faced insulation on sides and back of heating compartment and mat-faced insulation in blower compartment.

Coil Match-up

All furnaces match C33/35 and CX34/35 cased upflow indoor coils and CH33 horizontal indoor coils with same letter designation in model number.



ACCESSORIES

See page 35

Cabinet

- Condensate Kits
- Condensate Drain Heat Cable
- Crawl Space Vent Drain Kit
- Horizontal Suspension Kit
- Return Air Base

Controls

- iComfort® S30 Thermostat
- ComfortSense® 7500 Thermostat
- Thermostat
- iHarmony® Zoning System

Filter Kits

- Air Filter and Rack Kits

Gas Heating

- Gas Conversion Kits
- High Altitude Orifice Kits
- High Altitude Pressure Switch Kits
- Termination Kits

Service Kits

- Night Service Kit
- Universal Service Kit - Switches

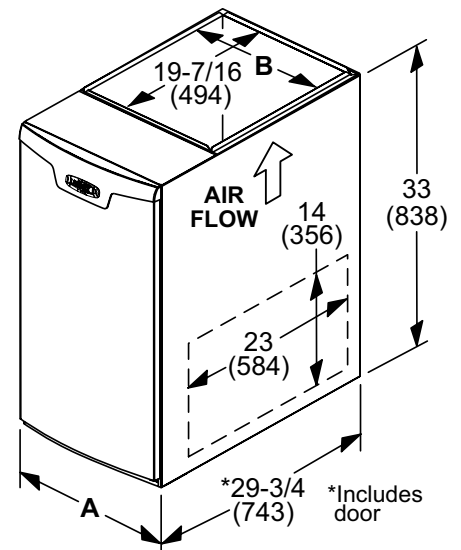
LIMITED WARRANTY

Heat Exchanger - lifetime
All other covered components - five years

Refer to Lennox Equipment Limited Warranty certificate included with equipment for details

Furnace Width		"B"	"C"	"D"
A Dimension	Width	17-1/2 (446)	21 (533)	24-1/2 (622)
	Depth	16-3/8 (416)	19-7/8 (454)	23-3/8 (546)
Bottom return	Width	16 (406)	19-1/2 (495)	23 (584)
	Depth	23-1/2 (597)	23-1/2 (597)	23-1/2 (597)

DIMENSIONS



NOTE - Due to Lennox' ongoing commitment to quality, Specifications, Ratings and Dimensions subject to change without notice and without incurring liability. Improper installation, adjustment, alteration, service or maintenance can cause property damage or personal injury. Installation and service must be performed by a qualified installer and servicing agency.

SPECIFICATIONS					
Gas Heating Performance	Model No.	EL296UH 045XV36B	EL296UH 070XV36B	EL296UH 090XV36C	EL296UH 090XV48C
	¹ AFUE	96%	96%	96%	96%
High Fire	Input - Btuh	44,000	66,000	88,000	88,000
	Output - Btuh	42,000	62,000	84,000	85,000
	Temperature rise range - °F	35-65	50-80	30-60	45-75
Gas Manifold Pressure (in. w.g.) Nat. Gas / LPG/Propane	Low Input - Btuh	29,000	43,000	57,000	57,000
	Fire Output - Btuh	28,000	41,000	55,000	55,000
	Temperature rise range - °F	20 - 50	25 - 55	30 - 60	25 - 55
Gas Manifold Pressure (in. w.g.) Nat. Gas / LPG/Propane		1.7 / 4.9	1.7 / 4.9	1.7 / 4.9	1.7 / 4.9
High static - in. w.g.	Heating	0.8	0.8	0.8	0.8
	Cooling	1.0	1.0	1.0	1.0
Connections in.	Intake / Exhaust Pipe (PVC)	2 / 2	2 / 2	2 / 2	2 / 2
	Gas pipe size IPS	1/2	1/2	1/2	1/2
	Condensate Drain Trap (PVC pipe) - i.d.	3/4	3/4	3/4	3/4
	with furnished 90° street elbow with field supplied (PVC coupling) - o.d.	3/4 slip x 3/4 Mipt 3/4 slip x 3/4 MPT			
Indoor Blower	Wheel nominal diameter x width - in.	10 x 9	10 x 9	10 x 9	11 x 11
	Motor output - hp	1/2	1/2	1/2	3/4
	Tons of add-on cooling	2 - 3	2 - 3	2 - 3	2.5 - 4
	Air Volume Range - cfm	465 - 1370	490 - 1365	520 - 1360	680 - 1770
Electrical Data	Voltage	120 volts - 60 hertz - 1 phase			
	Blower motor full load amps	7.7	7.7	7.7	10.1
	Maximum overcurrent protection	15	15	15	20
Shipping Data	lbs. - 1 package	130	138	154	165

SPECIFICATIONS					
Gas Heating Performance	Model No.	EL296UH0 90XV60C	EL296UH 110XV48C	EL296UH 110XV60C	EL296UH 135XV60D
	¹ AFUE	96%	96%	96%	96%
High Fire	Input - Btuh	88,000	110,000	110,000	132,000
	Output - Btuh	85,000	105,000	106,000	126,000
	Temperature rise range - °F	40-70	60-90	45-75	55-85
Gas Manifold Pressure (in. w.g.) Nat. Gas / LPG/Propane	Low Input - Btuh	57,000	72,000	72,000	86,000
	Fire Output - Btuh	55,000	70,000	70,000	84,000
	Temperature rise range - °F	30 - 60	36 - 65	35 - 65	40 - 70
Gas Manifold Pressure (in. w.g.) Nat. Gas / LPG/Propane		1.7 / 4.9	1.7 / 4.9	1.7 / 4.9	1.7 / 4.9
High static - in. w.g.	Heating	0.8	0.8	0.8	0.8
	Cooling	1.0	1.0	1.0	1.0
Connections in.	Intake / Exhaust Pipe (PVC)	2 / 2	2 / 2	2 / 2	2 / 2
	Gas pipe size IPS	1/2	1/2	1/2	1/2
	Condensate Drain Trap (PVC pipe) - i.d.	3/4	3/4	3/4	3/4
	with furnished 90° street elbow with field supplied (PVC coupling) - o.d.	3/4 slip x 3/4 Mipt 3/4 slip x 3/4 MPT			
Indoor Blower	Wheel nominal diameter x width - in.	11 x 11	11 x 11	11 x 11	11 x 11
	Motor output - hp	1	3/4	1	1
	Tons of add-on cooling	3 - 5	2.5 - 4	3-5	3-5
	Air Volume Range - cfm	840 - 2195	670 - 1760	850 - 2125	950 - 2250
Electrical Data	Voltage	120 volts - 60 hertz - 1 phase			
	Blower motor full load amps	12.8	10.1	12.8	12.8
	Maximum overcurrent protection	20	20	20	20
Shipping Data	lbs. - 1 package	166	173	174	188

NOTE - Filters and provisions for mounting are not furnished and must be field provided.

¹ Annual Fuel Utilization Efficiency based on DOE test procedures and according to FTC labeling regulations. Isolated combustion system rating for non-weatherized furnaces.



NOTE - Due to Lennox' ongoing commitment to quality, Specifications, Ratings and Dimensions subject to change without notice and without incurring liability.

Improper installation, adjustment, alteration, service or maintenance can cause property damage or personal injury.

Installation and service must be performed by a qualified installer and servicing agency.



PRODUCT CATALOG

**GAS FURNACES
EL296DFV
ELITE® SERIES**

**Upflow/Horizontal - Two-Stage Heat - Variable Speed Blower
Direct/Non-Direct Vent
AFUE - 96% - Input - 44,000 to 110,000 Btuh**

Page 15
January 2016
Supersedes June 2015

FEATURES

Heating System

- Lennox Duralok Plus™ Aluminized Steel Heat Exchanger Assembly
- Aluminized Steel Inshot Burners
- Two-Stage Gas Control Valve with 100% Safety Shutoff
- Flame Rollout Switches
- Limit Controls
- SureLight® Hot Surface Ignitor
- Two-Speed Combustion Air Inducer

Direct Vent/Non-Direct Vent Sealed Combustion

- Direct Vent - combustion air supplied from outdoors
- Non-Direct Vent - combustion air supplied from indoors

SureLight® Control (iComfort® compatible)

iComfort® Control communicates information about the unit to the iComfort® S30 thermostat.



- 24 Volt Transformer
- Field Wiring Make-up Box
- Applicable to the iHarmony® Zoning System.

Variable-Speed Blower Motor

High efficiency, variable speed ECM (Electronically Commutated Motor) Maintains specified air volumes up to a maximum of 1.0 in. w.g. (cooling) total external static.

Cabinet

- Downflow applications.
- Pre-painted cabinet finish
- Fully insulated cabinet with foil-faced insulation on sides and back of heating compartment and mat-faced insulation in blower compartment.

Coil Match-up

CR33 downflow indoor coils will physically match the furnace supply air opening with the same letter designation in the model number.



ACCESSORIES

See page 35

Cabinet

- Downflow Combustible Flooring Base
- Condensate Kits
- Condensate Drain Heat Cable
- Crawl Space Vent Drain Kit
- Return Air Base

Controls

- iComfort® S30 Thermostat
- ComfortSense® 7500 Thermostat
- Thermostat
- iHarmony® Zoning System

Filter Kits

- Downflow Filter Kits

Gas Heating

- Gas Conversion Kits
- High Altitude Orifice Kits
- High Altitude Pressure Switch Kits
- Termination Kits

Service Kits

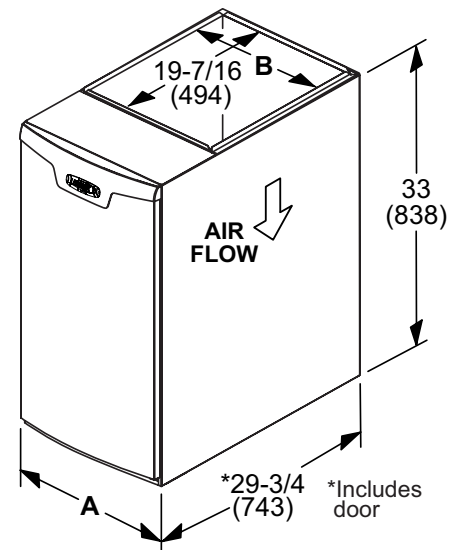
- Night Service Kit
- Universal Service Kit - Switches

LIMITED WARRANTY

Heat Exchanger - lifetime
All other covered components - five years
Refer to Lennox Equipment Limited Warranty certificate included with equipment for details

Furnace Width		"B"	"C"
A Dimension		17-1/2 (446)	21 (533)
	B Dimension	16-3/8 (416)	19-7/8 (454)
Bottom supply	Width	16 (406)	19-1/2 (495)
	Depth	19-1/4 (489)	19-1/4 (489)

DIMENSIONS



NOTE - Due to Lennox' ongoing commitment to quality, Specifications, Ratings and Dimensions subject to change without notice and without incurring liability. Improper installation, adjustment, alteration, service or maintenance can cause property damage or personal injury. Installation and service must be performed by a qualified installer and servicing agency.

SPECIFICATIONS

Gas		Model No.	EL296DF045XV36B	EL296DF070XV48B	EL296DF090XV60C	EL296DF110XV60C
Heating Performance		¹ AFUE	96%	96%	96%	96%
	High Fire	Input - Btuh	44,000	66,000	88,000	110,000
		Output - Btuh	43,000	64,000	85,000	106,000
		Temperature rise range - °F	35-65	35-65	40-70	45-75
		Gas Manifold Pressure (in. w.g.) Nat. Gas / LPG/Propane	3.5 / 10.0	3.5 / 10.0	3.5 / 10.0	3.5 / 10.0
	Low Fire	Input - Btuh	29,000	43,000	57,000	72,000
		Output - Btuh	28,000	42,000	56,000	70,000
		Temperature rise range - °F	20 - 50	25 - 55	30 - 60	35 - 65
		Gas Manifold Pressure (in. w.g.) Nat. Gas / LPG/Propane	1.7 / 4.9	1.7 / 4.9	1.7 / 4.9	1.7 / 4.9
	High static - in. w.g.	Heating	0.8	0.8	0.8	0.8
Cooling		1.0	1.0	1.0	1.0	
Connections in.	Intake / Exhaust Pipe (PVC)	2 / 2	2 / 2	2 / 2	2 / 2	
	Gas pipe size IPS	1/2	1/2	1/2	1/2	
	Condensate Drain Trap (PVC pipe) - i.d.	3/4	3/4	3/4	3/4	
	with furnished 90° street elbow	3/4 slip x 3/4 Mipt	3/4 slip x 3/4 Mipt	3/4 slip x 3/4 Mipt	3/4 slip x 3/4 Mipt	
	with field supplied (PVC coupling) - o.d.	3/4 slip x 3/4 MPT	3/4 slip x 3/4 MPT	3/4 slip x 3/4 MPT	3/4 slip x 3/4 MPT	
Indoor Blower	Wheel nom. diameter x width - in.	10 x 9	11 x 10	11 x 11	11 x 11	
	Motor output - hp	1/2	3/4	1	1	
	Tons of add-on cooling	2 - 3	2.5 - 4	3 - 5	3 - 5	
	Air Volume Range - cfm	545 - 1360	575 - 1800	890 - 2130	860 - 2180	
Electrical Data	Voltage	120 volts - 60 hertz - 1 phase				
	Blower motor full load amps	7.7	10.1	12.8	12.8	
	Maximum overcurrent protection	15	20	20	20	
Shipping Data	lbs. - 1 package	131	136	164	176	

NOTE - Filters and provisions for mounting are not furnished and must be field provided.

¹ Annual Fuel Utilization Efficiency based on DOE test procedures and according to FTC labeling regulations. Isolated combustion system rating for non-weatherized furnaces.



NOTE - Due to Lennox' ongoing commitment to quality, Specifications, Ratings and Dimensions subject to change without notice and without incurring liability. Improper installation, adjustment, alteration, service or maintenance can cause property damage or personal injury. Installation and service must be performed by a qualified installer and servicing agency.



PRODUCT CATALOG

OPTIONAL ACCESSORIES - ORDER SEPARATELY

NOTE - FURNACE CANNOT BE TWINNED!

		"B" Width	"C" Width	"D" Width	
CABINET ACCESSORIES					
Downflow Combustible Flooring Base - Downflow only		11M60	11M61	---	
Horizontal Suspension Kit - Horizontal only		51W10	51W10	51W10	
Return Air Base - Upflow only		50W98	50W99	51W00	
CONDENSATE DRAIN KITS					
Condensate Drain Heat Cable	6 ft.	26K68	26K68	26K68	
	24 ft.	26K69	26K69	26K69	
Crawl Space Vent Drain Kit		51W18	51W18	51W18	
CONTROLS					
iComfort® S30 Thermostat		12U67	12U67	12U67	
¹ Remote Outdoor Air Temperature Sensor (for dual fuel and Humiditrol®)		X2658	X2658	X2658	
² Discharge Air Temperature Sensor		88K38	88K38	88K38	
ComfortSense® 7500 Thermostat		13H14	13H14	13H14	
³ Remote Outdoor Air Temperature Sensor (for dual fuel and Humiditrol®)		X2658	X2658	X2658	
DOWNFLOW FILTER KITS					
Downflow Filter Cabinet		51W07	51W08	---	
⁴ No. and size of filter - in.		(2) 16 x 20 x 1	(2) 16 x 20 x 1	---	
UPFLOW/HORIZONTAL FILTER KITS					
⁴ Air Filter and Rack Kit	Horizontal (end)	87L96	87L97	87L98	
	Side Return	Size of filter - in.	18 x 25 x 1	20 x 25 x 1	25 x 25 x 1
		Single	44J22	44J22	44J22
		Ten Pack	66K63	66K63	66K63
	Size of filter - in.	16 x 25 x 1	16 x 25 x 1	16 x 25 x 1	
SERVICE KITS					
Night Service Kit		14C99	14C99	14C99	
Universal Service Kit - Switches		89W20	89W20	89W20	
TERMINATION KITS - Direct Vent Applications Only. See Installation Instructions for specific venting information.					
Termination Kits	Concentric	US - 2 in.	71M80	69M29	---
		3 in.	---	60L46	60L46
		Canada - 2 in.	44W92	44W92	---
		3 in.	---	44W93	44W93
	Flush-Mount	US - 2, 2-1/2 or 3 in.	51W11	51W11	51W11
		Canada - 2, 2-1/2 or 3 in.	51W12	51W12	51W12
	Wall - Close Couple	US - 2 in.	22G44	---	---
		3 in.	44J40	44J40	44J40
	Wall - Close Couple WTK	Canada - 2 in.	30G28	---	---
		3 in.	81J20	81J20	81J20
Termination Kits	Roof	2 in.	15F75	15F75	---
	Wall - Wall Ring Kit	2 in.	15F74	15F74	---
Roof Termination Flashing Kit (2 flashings)		3 in.	44J41	44J41	44J41

¹ Remote Outdoor Temperature Sensor is used with conventional (non-iComfort®-enabled) outdoor units (sensor is furnished with iComfort®-enabled outdoor units). Allows the thermostat to display outdoor temperature. Required in dual-fuel and Humiditrol® applications.

² Optional for service diagnostics.

³ Remote Outdoor Temperature Sensor for ComfortSense® 7500 Thermostat must be connected directly to the thermostat, Do not connect it to the SureLight® control.

⁴ Cleanable frame type filter.

NOTE - Termination Kits 44W92, 44W93, 30G28, 51W12, 81J20 are certified to ULC S636 standard for use in Canada only.



EL296UHV, EL296DFV - OPTIONAL ACCESSORIES

PRODUCT CATALOG

Page 18
 January 2016
 Supersedes June 2015

GAS HEAT ACCESSORIES

Input	High Altitude Pressure Switch Kit		Natural Gas to LPG/Propane Kit	LPG/Propane to Natural Gas Kit	Natural Gas High Altitude Orifice Kit	LPG/Propane High Altitude Orifice Kit
	4501 - 7500 ft.	7501 - 10,000 ft.	0 - 7500 ft.	0 - 7500 ft.	7501- 10,000 ft.	7501- 10,000 ft.
045	93W81	93W84	78W93	77W09	73W37	78W96
070	11X65 (UH) / 11X70 (DF)	98W79 (UH) / 11X71 (DF)	78W93	77W09	73W37	78W96
090	11X72 (UH) / 11X65 (DF)	11X65 (UH) / 98W79 (DF)	78W93	77W09	73W37	78W96
110	93W80	93W85	78W93	77W09	73W37	78W96
135	93W93	93W85	78W93	77W09	73W37	78W96

NOTE – Due to Lennox' ongoing commitment to quality, Specifications, Ratings and Dimensions subject to change without notice and without incurring liability. Improper installation, adjustment, alteration, service or maintenance can cause property damage or personal injury. Installation and service must be performed by a qualified installer and servicing agency.



GAS FURNACES EL296UHE ELITE® SERIES

PRODUCT CATALOG

Upflow/Horizontal - Two-Stage Heat
High Efficiency Blower Motor - Direct/Non-Direct Vent
AFUE - Up to 96% - Input - 44,000 to 132,000 Btuh

Page 19
January 2016
Supersedes June 2015

FEATURES

Heating System

- Lennox Duralok Plus™ Aluminized Steel Heat Exchanger Assembly
- Aluminized Steel Inshot Burners
- Two-Stage Gas Control Valve with 100% Safety Shutoff
- Flame Rollout Switches
- Limit Controls
- SureLight® Hot Surface Ignitor
- Two-Speed Combustion Air Inducer

Direct Vent/Non-Direct Vent Sealed Combustion

- Direct Vent - combustion air supplied from outdoors
- Non-Direct Vent - combustion air supplied from indoors

Controls

- Surelight® integrated Two-Stage Furnace Control
- 24 Volt Transformer
- Field Wiring Make-up Box

Blower

- High Efficiency Constant Torque Blower
- DC Brushless Motor

Cabinet

- Upflow, downflow, horizontal-left or horizontal-right applications without any internal modifications to the unit.
- Pre-painted cabinet finish
- Fully insulated cabinet with foil-faced insulation on sides and back of heating compartment and mat-faced insulation in blower compartment.

Coil Match-up

- All furnaces match C33/35 and CX34/35 cased upflow indoor coils and CH33 horizontal indoor coils with same letter designation in model number.



ACCESSORIES

See page 35

Cabinet

- Condensate Kits
- Condensate Drain Heat Cable
- Crawl Space Vent Drain Kit
- Horizontal Suspension Kit
- Return Air Base

Controls

- Thermostat

Filter Kits

- Air Filter and Rack Kits

Gas Heating

- Gas Conversion Kits
- High Altitude Orifice Kits
- High Altitude Pressure Switch Kits
- Termination Kits

Service Kits

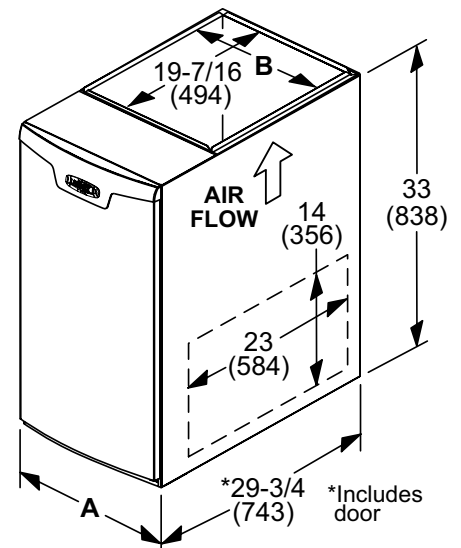
- Night Service Kit
- Universal Service Kit - Switches

LIMITED WARRANTY

Heat Exchanger - lifetime
All other covered components - five years
Refer to Lennox Equipment Limited Warranty certificate included with equipment for details

Furnace Width		"B"	"C"	"D"
A Dimension		17-1/2 (446)	21 (533)	24-1/2 (622)
B Dimension		16-3/8 (416)	19-7/8 (454)	23-3/8 (546)
Bottom return	Width	16 (406)	19-1/2 (495)	23 (584)
	Depth	23-1/2 (597)	23-1/2 (597)	23-1/2 (597)

DIMENSIONS



NOTE - Due to Lennox' ongoing commitment to quality, Specifications, Ratings and Dimensions subject to change without notice and without incurring liability. Improper installation, adjustment, alteration, service or maintenance can cause property damage or personal injury. Installation and service must be performed by a qualified installer and servicing agency.

SPECIFICATIONS				
Gas Heating Performance	Model No.	EL296UH045XE36B	EL296UH070XE36B	EL296UH090XE48C
	¹ AFUE	96%	96%	96%
High Fire	Input - Btuh	44,000	66,000	88,000
	Output - Btuh	43,000	64,000	84,000
	Temperature rise range - °F	30 - 60	35 - 65	40 - 70
	Gas Manifold Pressure (in. w.g.) Nat. Gas / LPG/Propane	3.5 / 10.0	3.5 / 10.0	3.5 / 10.0
Low Fire	Input - Btuh	29,000	43,000	57,000
	Output - Btuh	28,000	42,000	55,000
	Temperature rise range - °F	20 - 50	25 - 55	30 - 60
	Gas Manifold Pressure (in. w.g.) Nat. Gas / LPG/Propane	1.7 / 4.9	1.7 / 4.9	1.7 / 4.9
High static - in. w.g.		0.5	0.5	0.5
Connections in.	Intake / Exhaust Pipe (PVC)	2 / 2	2 / 2	2 / 2
	Gas pipe size IPS	1/2	1/2	1/2
	Condensate Drain Trap (PVC pipe) - i.d.	3/4	3/4	3/4
	with furnished 90° street elbow with field supplied (PVC coupling) - o.d.	3/4 slip x 3/4 Mipt 3/4 slip x 3/4 MPT	3/4 slip x 3/4 Mipt 3/4 slip x 3/4 MPT	3/4 slip x 3/4 Mipt 3/4 slip x 3/4 MPT
Indoor Blower	Wheel nominal diameter x width - in.	10 x 8	10 x 8	10 x 10
	Motor output - hp	1/2	1/2	3/4
	Tons of add-on cooling	1.5 - 3	1.5 - 3	2.5 - 4
	Air Volume Range - cfm	520 - 1345	550 - 1380	760 - 1740
Electrical Data	Voltage	120 volts - 60 hertz - 1 phase		
	Blower motor full load amps	6.8	6.8	8.4
	Maximum overcurrent protection	15	15	15
Shipping Data	lbs. - 1 package	129	133	159

SPECIFICATIONS				
Gas Heating Performance	Model No.	EL296UH110XE60C	EL296UH135XE60D	
	¹ AFUE	96%	96%	
High Fire	Input - Btuh	110,000	132,000	
	Output - Btuh	106,000	127,000	
	Temperature rise range - °F	40 - 70	45 - 75	
	Gas Manifold Pressure (in. w.g.) Nat. Gas / LPG/Propane	3.5 / 10.0	3.5 / 10.0	
Low Fire	Input - Btuh	72,000	86,000	
	Output - Btuh	70,000	84,000	
	Temperature rise range - °F	30 - 60	35 - 65	
	Gas Manifold Pressure (in. w.g.) Nat. Gas / LPG/Propane	1.7 / 4.9	1.7 / 4.9	
High static - in. w.g.		0.5	0.5	
Connections in.	Intake / Exhaust Pipe (PVC)	2 / 2	2 / 2	
	Gas pipe size IPS	1/2	1/2	
	Condensate Drain Trap (PVC pipe) - i.d.	3/4	3/4	
	with furnished 90° street elbow with field supplied (PVC coupling) - o.d.	3/4 slip x 3/4 Mipt 3/4 slip x 3/4 MPT	3/4 slip x 3/4 Mipt 3/4 slip x 3/4 MPT	3/4 slip x 3/4 Mipt 3/4 slip x 3/4 MPT
Indoor Blower	Wheel nominal diameter x width - in.	11-1/2 x 10	11-1/2 x 10	
	Motor output - hp	1	1	
	Tons of add-on cooling	3 - 5	3.5 - 5	
	Air Volume Range - cfm	1055 - 2220	1260 - 2405	
Electrical Data	Voltage	120 volts - 60 hertz - 1 phase		
	Blower motor full load amps	10.9	10.9	
	Maximum overcurrent protection	15	15	
Shipping Data	lbs. - 1 package	174	189	

NOTE - Filters and provisions for mounting are not furnished and must be field provided.

¹ Annual Fuel Utilization Efficiency based on DOE test procedures and according to FTC labeling regulations. Isolated combustion system rating for non-weatherized furnaces.



NOTE - Due to Lennox' ongoing commitment to quality, Specifications, Ratings and Dimensions subject to change without notice and without incurring liability. Improper installation, adjustment, alteration, service or maintenance can cause property damage or personal injury. Installation and service must be performed by a qualified installer and servicing agency.



PRODUCT CATALOG

**GAS FURNACES
EL296DFE
ELITE® SERIES**

**Downflow - Two-Stage Heat
High Efficiency Blower Motor - Direct/Non-Direct Vent
AFUE - 96% - Input - 44,000 to 110,000 Btuh**

Page 21
January 2016
Supersedes June 2015

FEATURES

Heating System

- Lennox Duralok Plus™ Aluminized Steel Heat Exchanger Assembly
- Aluminized Steel Inshot Burners
- Two-Stage Gas Control Valve with 100% Safety Shutoff
- Flame Rollout Switches
- Limit Controls
- SureLight® Hot Surface Ignitor
- Two-Speed Combustion Air Inducer

Direct Vent/Non-Direct Vent Sealed Combustion

- Direct Vent - combustion air supplied from outdoors
- Non-Direct Vent - combustion air supplied from indoors

Controls

- Surelight® integrated Two-Stage Furnace Control
- 24 Volt Transformer
- Field Wiring Make-up Box
- 24 Volt Transformer
- Field Wiring Make-up Box

Blower

- High Efficiency Constant Torque Blower Motor
- DC Brushless Motor

Cabinet

- Downflow applications.
- Pre-painted cabinet finish
- Fully insulated cabinet with foil-faced insulation on sides and back of heating compartment and mat-faced insulation in blower compartment.

Coil Match-up

CR33 downflow indoor coils will physically match the furnace supply air opening with the same letter designation in the model number.



ACCESSORIES

See page 35

Cabinet

- Downflow Combustible Flooring Base
- Condensate Kits
- Condensate Drain Heat Cable
- Crawl Space Vent Drain Kit
- Return Air Base

Controls

- Thermostat

Filter Kits

- Downflow Filter Kits

Gas Heating

- Gas Conversion Kits
- High Altitude Orifice Kits
- High Altitude Pressure Switch Kits
- Termination Kits

Service Kits

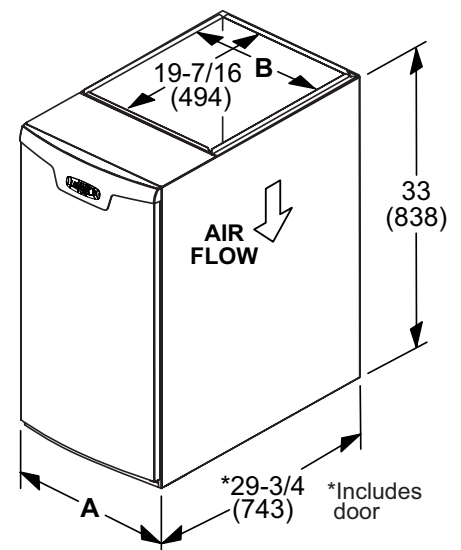
- Night Service Kit
- Universal Service Kit - Switches

LIMITED WARRANTY

Heat Exchanger - lifetime
All other covered components - five years
Refer to Lennox Equipment Limited Warranty certificate included with equipment for details

Furnace Width		"B"	"C"
A Dimension		17-1/2 (446)	21 (533)
	B Dimension	16-3/8 (416)	19-7/8 (454)
Bottom supply	Width	16 (406)	19-1/2 (495)
	Depth	19-1/4 (489)	19-1/4 (489)

DIMENSIONS



NOTE - Due to Lennox' ongoing commitment to quality, Specifications, Ratings and Dimensions subject to change without notice and without incurring liability. Improper installation, adjustment, alteration, service or maintenance can cause property damage or personal injury. Installation and service must be performed by a qualified installer and servicing agency.

SPECIFICATIONS					
Gas Heating Performance	Model No.	EL296DF045XE36B	EL296DF070XE48B	EL296DF090XE48C	EL296DF110XE60C
	¹ AFUE	96%	96%	96%	96%
High Fire	Input - Btuh	44,000	66,000	88,000	110,000
	Output - Btuh	43,000	64,000	85,000	106,000
	Temperature rise range - °F	35-65	35-65	40-70	45-75
	Gas Manifold Pressure (in. w.g.) Nat. Gas / LPG/Propane	3.5 / 10.0	3.5 / 10.0	3.5 / 10.0	3.5 / 10.0
Low Fire	Input - Btuh	29,000	43,000	57,000	72,000
	Output - Btuh	28,000	42,000	55,000	70,000
	Temperature rise range - °F	20 - 50	25 - 55	30 - 60	35 - 65
	Gas Manifold Pressure (in. w.g.) Nat. Gas / LPG/Propane	1.7 / 4.9	1.7 / 4.9	1.7 / 4.9	1.7 / 4.9
High static - in. w.g.		0.5	0.5	0.5	0.5
Connections in.	Intake / Exhaust Pipe (PVC)	2 / 2	2 / 2	2 / 2	2 / 2
	Gas pipe size IPS	1/2	1/2	1/2	1/2
	Condensate Drain Trap (PVC pipe) - i.d.	3/4	3/4	3/4	3/4
	with furnished 90° street elbow with field supplied (PVC coupling) - o.d.	3/4 slip x 3/4 Mipt 3/4 slip x 3/4 MPT	3/4 slip x 3/4 Mipt 3/4 slip x 3/4 MPT	3/4 slip x 3/4 Mipt 3/4 slip x 3/4 MPT	3/4 slip x 3/4 Mipt 3/4 slip x 3/4 MPT
Indoor Blower	Wheel nom. diameter x width - in.	10 x 8	11-1/2 x 10	10 x 10	11 x 11
	Motor output - hp	1/2	3/4	3/4	1
	Tons of add-on cooling	1.5 - 3	2 - 4	2 - 4	3 - 5
	Air Volume Range - cfm	485 - 1395	520 - 1770	760 - 1765	1045 - 2285
Electrical Data	Voltage	120 volts - 60 hertz - 1 phase			
	Blower motor full load amps	6.8	8.4	8.4	10.9
	Maximum overcurrent protection	15	15	15	15
Shipping Data	lbs. - 1 package	134	145	163	175

NOTE - Filters and provisions for mounting are not furnished and must be field provided.

¹ Annual Fuel Utilization Efficiency based on DOE test procedures and according to FTC labeling regulations. Isolated combustion system rating for non-weatherized furnaces.



NOTE - Due to Lennox' ongoing commitment to quality, Specifications, Ratings and Dimensions subject to change without notice and without incurring liability. Improper installation, adjustment, alteration, service or maintenance can cause property damage or personal injury. Installation and service must be performed by a qualified installer and servicing agency.



OPTIONAL ACCESSORIES - ORDER SEPARATELY

NOTE - FURNACE CANNOT BE TWINNED!

			"B" Width	"C" Width	"D" Width	
CABINET ACCESSORIES						
Downflow Combustible Flooring Base - Downflow only			11M60	11M61	---	
Horizontal Suspension Kit - Horizontal only			51W10	51W10	51W10	
Return Air Base - Upflow only			50W98	50W99	51W00	
CONDENSATE DRAIN KITS						
Condensate Drain Heat Cable	6 ft.		26K68	26K68	26K68	
	24 ft.		26K69	26K69	26K69	
Crawl Space Vent Drain Kit			51W18	51W18	51W18	
DOWNFLOW FILTER KITS						
Downflow Filter Cabinet			51W07	51W08	---	
⁴ No. and size of filter - in.			(2) 16 x 20 x 1	(2) 16 x 20 x 1	---	
UPFLOW/HORIZONTAL FILTER KITS						
¹ Air Filter and Rack Kit	Horizontal (end)		87L96	87L97	87L98	
	Size of filter - in.		18 x 25 x 1	20 x 25 x 1	25 x 25 x 1	
	Side Return	Single	44J22	44J22	44J22	
		Ten Pack	66K63	66K63	66K63	
Size of filter - in.		16 x 25 x 1	16 x 25 x 1	16 x 25 x 1		
SERVICE KITS						
Night Service Kit			10B39	10B39	10B39	
Universal Service Kit - Switches			89W20	89W20	89W20	
TERMINATION KITS - Direct Vent Applications Only. See Installation Instructions for specific venting information.						
Termination Kits	Concentric	US - 2 in.	71M80	69M29	---	
		3 in.	---	60L46	60L46	
		Canada - 2 in.	44W92	44W92	---	
		3 in.	---	44W93	44W93	
		Flush-Mount	US - 2, 2-1/2 or 3 in.	51W11	51W11	51W11
			Canada - 2, 2-1/2 or 3 in.	51W12	51W12	51W12
	Wall - Close Couple	US - 2 in.	22G44	---	---	
		3 in.	44J40	44J40	44J40	
	Wall - Close Couple WTK	Canada - 2 in.	30G28	---	---	
		3 in.	81J20	81J20	81J20	
	Termination Kits	Roof	2 in.	15F75	15F75	---
		Wall - Wall Ring Kit	2 in.	15F74	15F74	---
Roof Termination Flashing Kit (2 flashings)		3 in.	44J41	44J41	44J41	

¹ Cleanable frame type filter.

NOTE - Termination Kits 44W92, 44W93, 30G28, 51W12, 81J20 are certified to ULC S636 standard for use in Canada only.



EL296UHE, EL296DFE - OPTIONAL ACCESSORIES

PRODUCT CATALOG

Page 24
 January 2016
 Supersedes June 2015

GAS HEAT ACCESSORIES

Input	High Altitude Pressure Switch Kit		Natural Gas to LPG/Propane Kit	LPG/Propane to Natural Gas Kit	Natural Gas High Altitude Orifice Kit	LPG/Propane High Altitude Orifice Kit
	4501 - 7500 ft.	7501 - 10,000 ft.	0 - 7500 ft.	0 - 7500 ft.	7501- 10,000 ft.	7501- 10,000 ft.
045	93W81 (UH) / 93W81 (DF)	93W94 (UH) / 93W84 (DF)	78W93	77W09	73W37	78W96
070	11X65 (UH) / 11X70 (DF)	98W79 (UH) / 11X71 (DF)	78W93	77W09	73W37	78W96
090	11X72 (UH) / 11X65 (DF)	11X65 (UH) / 98W79 (DF)	78W93	77W09	73W37	78W96
110	93W80	93W85 (UH) / 93W85 (DF)	78W93	77W09	73W37	78W96
135	93W83	93W85	78W93	77W09	73W37	78W96

NOTE – Due to Lennox' ongoing commitment to quality, Specifications, Ratings and Dimensions subject to change without notice and without incurring liability. Improper installation, adjustment, alteration, service or maintenance can cause property damage or personal injury. Installation and service must be performed by a qualified installer and servicing agency.



PRODUCT CATALOG

**GAS FURNACES
EL280UH
ELITE® SERIES**

Upflow/Horizontal
AFUE - 80%

Input - 66,000 to 132,000 Btuh

Page 25

January 2016

Supersedes June 2015

NOTE - Not Available In Canada!

FEATURES

Heating System

- Lennox Duralok™ Aluminized Steel Heat Exchanger Assembly
- Aluminized Steel Inshot Burners
- Two-Stage Gas Control Valve with 100% Safety Shutoff
- Flame Rollout Switches
- SureLight® Hot Surface Ignitor
- Limit Controls

Controls

- Surelight® integrated Two-Stage Furnace Control
- 24 Volt Transformer
- Field Wiring Make-up Box

Blower

- Multi-Speed, Direct Drive Blower

Cabinet

- Upflow/Horizontal applications
- Pre-painted Cabinet Finish
- Fully insulated cabinet with foil-faced insulation on sides and back of heating compartment and mat-faced insulation in blower compartment.

Coil Match-up

- All furnaces match C33/35 and CX34/35 cased upflow indoor coils and CH33 horizontal indoor coils with same letter designation in model number.



ACCESSORIES

See page 29

Cabinet

- Horizontal Suspension Kit
- Return Air Base

Controls

- Thermostat

Filter Kits

- Air Filter and Rack Kits

Gas Heating

- Gas Conversion Kits
- High Altitude Orifice Kit (natural gas only)
- High Altitude Pressure Switch Kit

Service Kits

- Night Service Kit
- Universal Service Kit - Switches

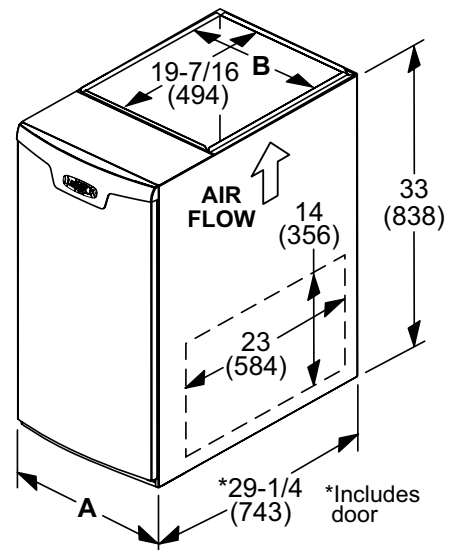
LIMITED WARRANTY

Heat Exchanger - twenty years
All other covered components - five years

Refer to Lennox Equipment Limited Warranty certificate included with equipment for details

Furnace Width	"A"	"B"	"C"	"D"
A Dimension	14-1/2 (368)	17-1/2 (446)	21 (533)	24-1/2 (622)
B Dimension	13-3/8 (340)	16-3/8 (416)	19-7/8 (454)	23-3/8 (546)
Bottom Width return	13 (330)	16 (406)	19-1/2 (495)	23 (584)
Depth	23-1/2 (597)	23-1/2 (597)	23-1/2 (597)	23-1/2 (597)

DIMENSIONS



NOTE - Due to Lennox' ongoing commitment to quality, Specifications, Ratings and Dimensions subject to change without notice and without incurring liability. Improper installation, adjustment, alteration, service or maintenance can cause property damage or personal injury. Installation and service must be performed by a qualified installer and servicing agency.

SPECIFICATIONS

Gas Heating Performance	Model No.	EL280UH 070P24A	EL280UH 070P36A	EL280UH 090P36B	EL280UH 090P48B
	Model No. - Low Nox	---	EL280UH 070XP36A	---	EL280UH 090XP48B
	¹ AFUE	80%	80%	80%	80%
High Fire	Input - Btuh	66,000	66,000	88,000	88,000
	Output - Btuh	52,000	53,000	70,000	69,000
	Temperature rise range - °F	40 - 70	30 - 60	35 - 65	30 - 60
Gas Manifold Pressure (in. w.g.) Nat. Gas / LPG/Propane		3.5 / 10.0	3.5 / 10.0	3.5 / 10.0	3.5 / 10.0
Low Fire	Input - Btuh	43,000	43,000	57,000	57,000
	Output - Btuh	35,000	35,000	46,000	46,000
	Temperature rise range - °F	25 - 55	20 - 50	25 - 55	20 - 50
Gas Manifold Pressure (in. w.g.) Nat. Gas / LPG/Propane		1.7 / 4.9	1.7 / 4.9	1.7 / 4.9	1.7 / 4.9
High static - in. w.g.		0.5	0.5	0.5	0.5
Connections in.	Flue connection - in. round	4	4	4	4
	Gas pipe size IPS	1/2	1/2	1/2	1/2
Indoor Blower	Wheel nominal diameter x width - in.	10 x 7	10 x 8	10 x 9	10 x 10
	Motor output - hp	1/5	1/3	1/3	1/2
	Tons of add-on cooling	1.5 - 2	2 - 3.5	2 - 3.5	3 - 4
	Air Volume Range - cfm	560 - 1135	775 - 1620	785 - 1760	1020 - 2030
Electrical Data	Voltage	120 volts - 60 hertz - 1 phase			
	Blower motor full load amps	3.1	6.1	6.1	8.2
	Maximum overcurrent protection	15	15	15	15
Shipping Data	lbs. - 1 package	122	126	141	144

NOTE - Filters and provisions for mounting are not furnished and must be field provided.

¹ Annual Fuel Utilization Efficiency based on DOE test procedures and according to FTC labeling regulations. Isolated combustion system rating for non-weatherized furnaces.

SPECIFICATIONS

Gas Heating Performance	Model No.	EL280UH 110P48C	EL280UH 110P60C	EL280UH 135P60D
	Model No. - Low Nox	---	EL280UH 110XP60C	---
	¹ AFUE	80%	80%	80%
High Fire	Input - Btuh	110,000	110,000	132,000
	Output - Btuh	86,000	87,000	106,000
	Temperature rise range - °F	35 - 65	30 - 60	35 - 65
Gas Manifold Pressure (in. w.g.) Nat. Gas / LPG/Propane		3.5 / 10.0	3.5 / 10.0	3.5 / 10.0
Low Fire	Input - Btuh	72,000	72,000	86,000
	Output - Btuh	58,000	58,000	70,000
	Temperature rise range - °F	25 - 55	20 - 50	25 - 55
Gas Manifold Pressure (in. w.g.) Nat. Gas / LPG/Propane		1.7 / 4.9	1.7 / 4.9	1.7 / 4.9
High static - in. w.g.		0.5	0.5	0.5
Connections in.	Flue connection - in. round	4	4	² 4
	Gas pipe size IPS	1/2	1/2	1/2
Indoor Blower	Wheel nominal diameter x width - in.	10 x 10	11-1/2 x 10	11 x 11
	Motor output - hp	1/2	1	1
	Tons of add-on cooling	3 - 4	4 - 5	4 - 5
	Air Volume Range - cfm	1050 - 2125	1470 - 2520	1435 - 2750
Electrical Data	Voltage	120 volts - 60 hertz - 1 phase		
	Blower motor full load amps	8.2	10	11.5
	Maximum overcurrent protection	15	15	15
Shipping Data	lbs. - 1 package	161	169	188

NOTE - Filters and provisions for mounting are not furnished and must be field provided.

¹ Annual Fuel Utilization Efficiency based on DOE test procedures and according to FTC labeling regulations. Isolated combustion system rating for non-weatherized furnaces.



NOTE - Due to Lennox' ongoing commitment to quality, Specifications, Ratings and Dimensions subject to change without notice and without incurring liability. Improper installation, adjustment, alteration, service or maintenance can cause property damage or personal injury. Installation and service must be performed by a qualified installer and servicing agency.



GAS FURNACES EL280DF ELITE® SERIES

PRODUCT CATALOG

NOTE - Not Available In Canada!

FEATURES

Heating System

- Lennox Duralok™ Aluminized Steel Heat Exchanger Assembly
- Aluminized Steel Inshot Burners
- Two-Stage Gas Control Valve with 100% Safety Shutoff
- Flame Rollout Switches
- Hot Surface, Nitride Ignitor
- Limit Controls

Controls

- Integrated Two-Stage Furnace Control
- 24 Volt Transformer
- Field Wiring Make-up Box

Blower

- Multi-Speed, Direct Drive Blower

Cabinet

- Downflow applications
- Pre-painted Cabinet Finish
- Fully insulated cabinet with foil-faced insulation on sides and back of heating compartment and mat-faced insulation in blower compartment.

Coil Match-up

- CR33 downflow indoor coils will physically match the furnace supply air opening with the same letter designation in the model number.



Downflow
AFUE - 80%
Input - 66,000 to 110,000 Btuh

Page 27
January 2016
Supersedes June 2015

ACCESSORIES

See page 29

Cabinet

- Downflow Combustible Flooring Base

Controls

- Blower Motor Relay Kit
- Thermostat

Filter Kits

- Downflow Filter Kits

Gas Heating

- Gas Conversion Kits
- High Altitude Orifice Kit (natural gas only)
- High Altitude Pressure Switch Kit

Service Kits

- Night Service Kit
- Universal Service Kit - Switches

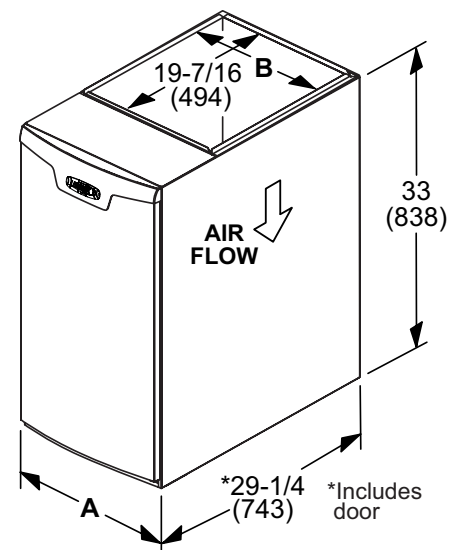
LIMITED WARRANTY

Heat Exchanger - twenty years
All other covered components - five years

Refer to Lennox Equipment Limited Warranty certificate included with equipment for details

Furnace Width	"A"	"B"	"C"
A Dimension	14-1/2 (368)	17-1/2 (446)	21 (533)
B Dimension	13-3/8 (340)	16-3/8 (416)	19-7/8 (454)
Bottom Width supply	13 (330)	16 (406)	19-1/2 (495)
Depth	19-1/4 (489)	19-1/4 (489)	19-1/4 (489)

DIMENSIONS



NOTE - Due to Lennox' ongoing commitment to quality, Specifications, Ratings and Dimensions subject to change without notice and without incurring liability. Improper installation, adjustment, alteration, service or maintenance can cause property damage or personal injury. Installation and service must be performed by a qualified installer and servicing agency.

SPECIFICATIONS

Gas Heating Performance		Model No.	EL280DF070P36A	EL280DF090P48B	EL280DF110P60C
		¹ AFUE	80%	80%	80%
High Fire	Input - Btuh		66,000	88,000	110,000
	Output - Btuh		52,000	69,000	87,000
		Temperature rise range - °F	30 - 60	35 - 65	40 - 70
		Gas Manifold Pressure (in. w.g.) Nat. Gas / LPG/Propane	3.5 / 10.0	3.5 / 10.0	3.5 / 10.0
Low Fire	Input - Btuh		43,000	57,000	72,000
	Output - Btuh		35,000	46,000	59,000
		Temperature rise range - °F	20 - 50	20 - 50	25 - 55
		Gas Manifold Pressure (in. w.g.) Nat. Gas / LPG/Propane	1.7 / 4.9	1.7 / 4.9	1.7 / 4.9
High static - in. w.g.			0.5	0.5	0.5
Connections in.	Flue connection - in. round		4	4	4
	Gas pipe size IPS		1/2	1/2	1/2
Indoor Blower	Wheel nominal diameter x width - in.		10 x 8	10 x 10	11-1/2 x 10
	Motor output - hp		1/3	1/2	1
	Tons of add-on cooling		2 - 3.5	3 - 4	4 - 5
	Air Volume Range - cfm		717 - 1562	917 - 1929	1517 - 2760
Electrical Data	Voltage	120 volts - 60 hertz - 1 phase			
	Blower motor full load amps		6.1	8.2	11.5
	Maximum overcurrent protection		15	15	15
Shipping Data	lbs. - 1 package		128	140	160

NOTE - Filters and provisions for mounting are not furnished and must be field provided.

¹ Annual Fuel Utilization Efficiency based on DOE test procedures and according to FTC labeling regulations. Isolated combustion system rating for non-weatherized furnaces.



NOTE - Due to Lennox' ongoing commitment to quality, Specifications, Ratings and Dimensions subject to change without notice and without incurring liability. Improper installation, adjustment, alteration, service or maintenance can cause property damage or personal injury. Installation and service must be performed by a qualified installer and servicing agency.



OPTIONAL ACCESSORIES - ORDER SEPARATELY

NOTE - FURNACES CANNOT BE TWINNED!

	"A" Width	"B" Width	"C" Width	"D" Width
CABINET ACCESSORIES				
Downflow Combustible Flooring Base - Downflow only	11M59	11M60	11M61	- - -
Horizontal Suspension Kit - Horizontal only	51W10	51W10	51W10	51W10
Return Air Base - Upflow only	65W75	50W98	50W99	51W00

DOWNFLOW FILTER KITS

Downflow Filter Cabinet	51W06	51W07	51W08	- - -
No. and Size of filter - in.	(1) 20 x 20 x 1	(2) 16 x 20 x 1	(2) 16 x 20 x 1	- - -

FILTERS

1 Air Filter and Rack Kit	Horizontal (end)	87L95	87L96	87L97	87L98	
	Size of filter - in.	14 x 25 x 1	18 x 25 x 1	20 x 25 x 1	25 x 25 x 1	
	Side Return	Single	44J22	44J22	44J22	44J22
		Ten Pack	66K63	66K63	66K63	66K63
	Size of filter - in.	16 x 25 x 1	16 x 25 x 1	16 x 25 x 1	16 x 25 x 1	

SERVICE KITS

Night Service Kit	84W46	84W46	84W46	84W46
Universal Service Kit - Switches	89W19	89W19	89W19	89W19

VENTING

Vent Adaptor – 6 in. connection size upflow applications only	18M79	18M79	18M79	18M79
---	--------------	--------------	--------------	--------------

¹ Cleanable polyurethane, frame-type filter.

GAS HEAT ACCESSORIES

Input	High Altitude Pressure Switch Kit					Natural Gas to LPG/Propane Kit	LPG/Propane to Natural Gas Kit	Natural Gas High Altitude Orifice Kit	LPG/Propane High Altitude Orifice Kit
	0 - 4500 ft.	4501 - 7500 ft.		7501 - 10,000 ft.		0 - 7500 ft.	0 - 7500 ft.	7501 - 10,000 ft.	7501 - 10,000 ft.
		UH	DF	UH	DF				
070	No Change	91W53	No Change	73W35	73W36	11K51	77W09	73W37	77W11
090	No Change	91W53	No Change	73W35	73W36	11K51	77W09	73W37	77W11
110	No Change	91W53	No Change	73W35	73W35	11K51	77W09	73W37	77W11
135	No Change	73W33	- - -	73W34	- - -	11K51	77W09	73W37	77W11

NOTE – Due to Lennox' ongoing commitment to quality, Specifications, Ratings and Dimensions subject to change without notice and without incurring liability. Improper installation, adjustment, alteration, service or maintenance can cause property damage or personal injury. Installation and service must be performed by a qualified installer and servicing agency.



PRODUCT CATALOG

**GAS FURNACES
EL195UHE
ELITE® SERIES**

Upflow/Horizontal - High Efficiency Blower Motor
Direct/Non-Direct Vent
AFUE - 95% - Input - 44,000 to 132,000 Btuh

Page 31
January 2016
Supersedes June 2015

FEATURES

Heating System

- Lennox Duralok Plus™ Aluminized Steel Heat Exchanger Assembly
- Aluminized Steel Inshot Burners
- Gas Control Valve with 100% Safety Shutoff
- Flame Rollout Switches
- Hot Surface Ignitor
- Combustion Air Inducer
- Limit Control

Direct Vent/Non-Direct Vent Sealed Combustion

- Direct Vent - combustion air supplied from outdoors
- Non-Direct Vent - combustion air supplied from indoors

Controls

- Integrated Furnace Control
- 24 Volt Transformer
- Field Wiring Make-up Box

Blower

- High Efficiency Constant Torque Blower Motor
- DC Brushless Motor

Cabinet

- Upflow, downflow, horizontal-left or horizontal-right applications without any internal modifications to the unit.
- Pre-painted cabinet finish
- Fully insulated cabinet with foil-faced insulation on sides and back of heating compartment and mat-faced insulation in blower compartment.

Coil Match-up

- All furnaces match C33/35 and CX34/35 cased upflow indoor coils and CH33 horizontal indoor coils with same letter designation in model number.



ACCESSORIES

See page 35

Cabinet

- Condensate Kits
- Condensate Drain Heat Cable
- Crawl Space Vent Drain Kit
- Horizontal Suspension Kit
- Return Air Base

Controls

- Blower Motor Relay Kit
- Thermostat

Filter Kits

- Air Filter and Rack Kits

Gas Heating

- Gas Conversion Kits
- High Altitude Orifice Kits
- High Altitude Pressure Switch Kits
- Termination Kits

Service Kits

- Night Service Kit
- Universal Service Kit - Switches

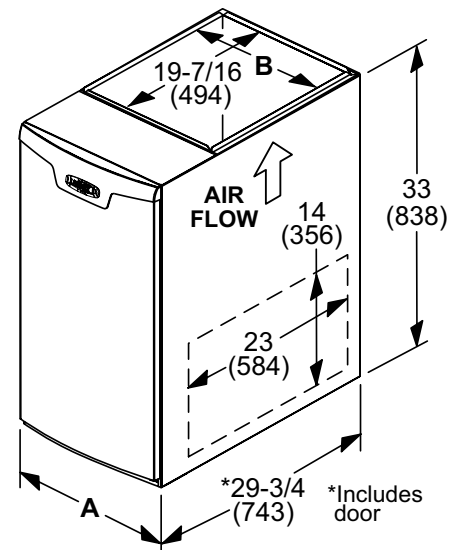
LIMITED WARRANTY

Heat Exchanger - lifetime
All other covered components - five years

Refer to Lennox Equipment Limited Warranty certificate included with equipment for details

DIMENSIONS

Furnace Width		"B"	"C"	"D"
A Dimension		17-1/2 (446)	21 (533)	24-1/2 (622)
B Dimension		16-3/8 (416)	19-7/8 (454)	23-3/8 (546)
Bottom return	Width	16 (406)	19-1/2 (495)	23 (584)
	Depth	23-1/2 (597)	23-1/2 (597)	23-1/2 (597)



NOTE - Due to Lennox' ongoing commitment to quality, Specifications, Ratings and Dimensions subject to change without notice and without incurring liability. Improper installation, adjustment, alteration, service or maintenance can cause property damage or personal injury. Installation and service must be performed by a qualified installer and servicing agency.

SPECIFICATIONS		Model No.	EL195UH030XE24B	EL195UH045XE24B	EL195UH045XE36B	EL195UH070XE36B
Gas Heating Performance	Model No.					
	¹ AFUE		95%	95%	95%	95%
	Input - Btuh		30,000	44,000	44,000	66,000
	Output - Btuh		28,000	42,000	42,000	63,000
	Temperature rise range - °F		30 - 60	35 - 65	35 - 65	35 - 65
	Gas Manifold Pressure (in. w.g.)		3.5 / 10	3.5 / 10	3.5 / 10	3.5 / 10
	Nat. Gas / LPG/Propane					
	High static - in. w.g.		0.5	0.5	0.5	0.5
Energy Star® Certified			Yes	Yes	Yes	Yes
Connections in.	Intake / Exhaust Pipe (PVC)		2 / 2	2 / 2	2 / 2	2 / 2
	Gas pipe size IPS		1/2	1/2	1/2	1/2
	Condensate Drain Trap (PVC pipe) - i.d.		3/4	3/4	3/4	3/4
	with furnished 90° street elbow		3/4 slip x 3/4 Mipt	3/4 slip x 3/4 Mipt	3/4 slip x 3/4 Mipt	3/4 slip x 3/4 Mipt
	with field supplied (PVC coupling) - o.d.		3/4 slip x 3/4 MPT	3/4 slip x 3/4 MPT	3/4 slip x 3/4 MPT	3/4 slip x 3/4 MPT
Indoor Blower	Wheel nom. dia. x width - in.		10 x 8	10 x 8	10 x 8	10 x 8
	Motor output - hp		1/2	1/2	1/2	1/2
	Tons of add-on cooling		1 - 2	1 - 2	1.5 - 3	1.5 - 3
	Air Volume Range - cfm		260 - 990	260 - 990	520 - 1345	550 - 1380
Electrical Data	Voltage		120 volts - 60 hertz - 1 phase			
	Blower motor full load amps		6.8	6.8	6.8	6.8
	Maximum overcurrent protection		15	15	15	15
Shipping Data	lbs. - 1 package		129	129	129	134

NOTE - Filters and provisions for mounting are not furnished and must be field provided.

¹ Annual Fuel Utilization Efficiency based on DOE test procedures and according to FTC labeling regulations. Isolated combustion system rating for non-weatherized furnaces.

SPECIFICATIONS		Model No.	EL195UH090XE48C	EL195UH110XE60C	EL195UH135XE60D
Gas Heating Performance	Model No.				
	¹ AFUE		95%	95%	95%
	Input - Btuh		88,000	110,000	132,000
	Output - Btuh		85,000	106,000	128,000
	Temperature rise range - °F		40 - 70	45 - 75	50 - 80
	Gas Manifold Pressure (in. w.g.)		3.5 / 10	3.5 / 10	3.5 / 10
	Nat. Gas / LPG/Propane				
	High static - in. w.g.		0.5	0.5	0.5
Energy Star® Certified			Yes	Yes	No
Connections in.	Intake / Exhaust Pipe (PVC)		2 / 2	2 / 2	2 / 2
	Gas pipe size IPS		1/2	1/2	1/2
	Condensate Drain Trap (PVC pipe) - i.d.		3/4	3/4	3/4
	with furnished 90° street elbow		3/4 slip x 3/4 Mipt	3/4 slip x 3/4 Mipt	3/4 slip x 3/4 Mipt
	with field supplied (PVC coupling) - o.d.		3/4 slip x 3/4 MPT	3/4 slip x 3/4 MPT	3/4 slip x 3/4 MPT
Indoor Blower	Wheel nom. dia. x width - in.		10 x 10	11-1/2 x 10	11-1/2 x 10
	Motor output - hp		3/4	1	1
	Tons of add-on cooling		2.5 - 4	3 - 5	3.5 - 5
	Air Volume Range - cfm		760 - 1740	1055 - 2220	1260 - 2405
Electrical Data	Voltage		120 volts - 60 hertz - 1 phase		
	Blower motor full load amps		8.4	10.9	10.9
	Maximum overcurrent protection		15	15	15
Shipping Data	lbs. - 1 package		158	170	187

NOTE - Filters and provisions for mounting are not furnished and must be field provided.

¹ Annual Fuel Utilization Efficiency based on DOE test procedures and according to FTC labeling regulations. Isolated combustion system rating for non-weatherized furnaces.



NOTE - Due to Lennox' ongoing commitment to quality, Specifications, Ratings and Dimensions subject to change without notice and without incurring liability. Improper installation, adjustment, alteration, service or maintenance can cause property damage or personal injury. Installation and service must be performed by a qualified installer and servicing agency.



PRODUCT CATALOG

**GAS FURNACES
EL195DFE
ELITE® SERIES**

**Downflow - High Efficiency Blower Motor
Direct/Non-Direct Vent
AFUE - 95% - Input - 44,000 to 110,000 Btuh**

Page 33
January 2016
Supersedes June 2015

FEATURES

Heating System

- Lennox Duralok Plus™ Aluminized Steel Heat Exchanger Assembly
- Aluminized Steel Inshot Burners
- Gas Control Valve with 100% Safety Shutoff
- Flame Rollout Switches
- Hot Surface Ignitor
- Combustion Air Inducer
- Limit Control

Direct Vent/Non-Direct Vent Sealed Combustion

- Direct Vent - combustion air supplied from outdoors
- Non-Direct Vent - combustion air supplied from indoors

Controls

- Integrated Furnace Control
- 24 Volt Transformer
- Field Wiring Make-up Box

Blower

- High Efficiency Constant Torque Blower Motor
- DC Brushless Motor

Cabinet

- Downflow applications.
- Pre-painted cabinet finish
- Fully insulated cabinet with foil-faced insulation on sides and back of heating compartment and mat-faced insulation in blower compartment.

Coil Match-up

CR33 downflow indoor coils will physically match the furnace supply air opening with the same letter designation in the model number.



LIMITED WARRANTY

Heat Exchanger - lifetime
All other covered components - five years
Refer to Lennox Equipment Limited Warranty certificate included with equipment for details

Furnace Width		"B"	"C"
A Dimension	Width	17-1/2 (446)	21 (533)
	Depth	19-1/4 (489)	19-1/4 (489)
B Dimension	Width	16-3/8 (416)	19-7/8 (454)
	Depth	19-1/4 (489)	19-1/4 (489)
Bottom supply	Width	16 (406)	19-1/2 (495)
	Depth	19-1/4 (489)	19-1/4 (489)

ACCESSORIES

See page 35

Cabinet

- Downflow Combustible Flooring Base
- Condensate Kits
- Condensate Drain Heat Cable
- Crawl Space Vent Drain Kit
- Return Air Base

Controls

- Blower Motor Relay Kit
- Thermostat

Filter Kits

- Downflow Filter Kits

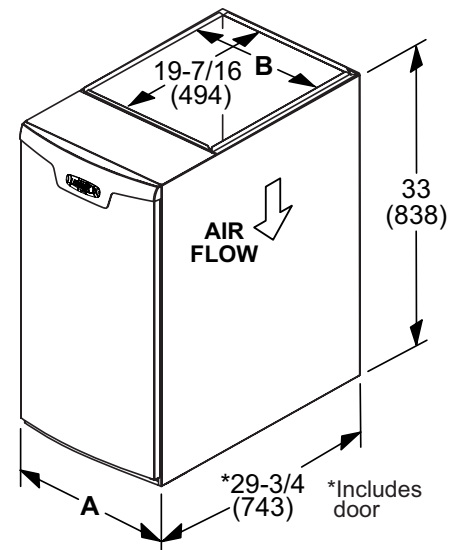
Gas Heating

- Gas Conversion Kits
- High Altitude Orifice Kits
- High Altitude Pressure Switch Kits
- Termination Kits

Service Kits

- Night Service Kit
- Universal Service Kit - Switches

DIMENSIONS



NOTE - Due to Lennox' ongoing commitment to quality, Specifications, Ratings and Dimensions subject to change without notice and without incurring liability. Improper installation, adjustment, alteration, service or maintenance can cause property damage or personal injury. Installation and service must be performed by a qualified installer and servicing agency.

SPECIFICATIONS					
Gas Heating Performance	Model No.	EL195DF045XE36B	EL195DF070XE48B	EL195DF090XE48C	EL195DF110XE60C
	¹ AFUE	95%	95%	95%	95%
	Input - Btuh	44,000	66,000	88,000	110,000
	Output - Btuh	42,000	64,000	85,000	106,000
	Temperature rise range - °F	25 - 55	25 - 55	40 - 70	40 - 70
	Gas Manifold Pressure (in. w.g.) Nat. Gas / LPG/Propane	3.5 / 10	3.5 / 10	3.5 / 10	3.5 / 10
	High static - in. w.g.	0.5	0.5	0.5	0.5
Connections in.	Intake / Exhaust Pipe (PVC)	2 / 2	2 / 2	2 / 2	2 / 2
	Gas pipe size IPS	1/2	1/2	1/2	1/2
	Condensate Drain Trap (PVC pipe) - i.d.	3/4	3/4	3/4	3/4
	with furnished 90° street elbow	3/4 slip x 3/4 Mipt	3/4 slip x 3/4 Mipt	3/4 slip x 3/4 Mipt	3/4 slip x 3/4 Mipt
	with field supplied (PVC coupling) - o.d.	3/4 slip x 3/4 MPT	3/4 slip x 3/4 MPT	3/4 slip x 3/4 MPT	3/4 slip x 3/4 MPT
Indoor Blower	Wheel nom. dia. x width - in.	10 x 8	11-1/2 x 10	10 x 10	11 x 11
	Motor output - hp	1/2	3/4	3/4	1
	Tons of add-on cooling	1.5 - 3	2 - 4	2 - 4	3 - 5
	Air Volume Range - cfm	485 - 1395	520 - 1770	760 - 1765	1045 - 2285
Electrical Data	Voltage	120 volts - 60 hertz - 1 phase			
	Blower motor full load amps	6.8	8.4	8.4	10.9
	Maximum overcurrent protection	15	15	15	15
Shipping Data	lbs. - 1 package	131	144	160	174

NOTE - Filters and provisions for mounting are not furnished and must be field provided.

¹ Annual Fuel Utilization Efficiency based on DOE test procedures and according to FTC labeling regulations. Isolated combustion system rating for non-weatherized furnaces.



NOTE - Due to Lennox' ongoing commitment to quality, Specifications, Ratings and Dimensions subject to change without notice and without incurring liability. Improper installation, adjustment, alteration, service or maintenance can cause property damage or personal injury. Installation and service must be performed by a qualified installer and servicing agency.



PRODUCT CATALOG

OPTIONAL ACCESSORIES - ORDER SEPARATELY

NOTE - FURNACE CANNOT BE TWINNED!

		"B" Width	"C" Width	"D" Width	
CABINET ACCESSORIES					
Downflow Combustible Flooring Base - Downflow only		11M60	11M61	---	
Horizontal Suspension Kit - Horizontal only		51W10	51W10	51W10	
Return Air Base - Upflow only		50W98	50W99	51W00	
CONDENSATE DRAIN KITS					
Condensate Drain Heat Cable	6 ft.	26K68	26K68	26K68	
	24 ft.	26K69	26K69	26K69	
Crawl Space Vent Drain Kit		51W18	51W18	51W18	
CONTROLS					
Blower Motor Relay Kit		85W66	85W66	85W66	
DOWNFLOW FILTER KITS					
Downflow Filter Cabinet		51W07	51W08	---	
1 No. and size of filter - in.		(2) 16 x 20 x 1	(2) 16 x 20 x 1	---	
UPFLOW/HORIZONTAL FILTER KITS					
1 Air Filter and Rack Kit	Horizontal (end)	87L96	87L97	87L98	
	Size of filter - in.	18 x 25 x 1	20 x 25 x 1	25 x 25 x 1	
		Side Return	44J22	44J22	44J22
	Single	66K63	66K63	66K63	
	Ten Pack	16 x 25 x 1	16 x 25 x 1	16 x 25 x 1	
SERVICE KITS					
Night Service Kit		84W48	84W48	84W48	
Universal Service Kit - Switches		89W20	89W20	89W20	
TERMINATION KITS - Direct Vent Applications Only. See Installation Instructions for specific venting information.					
Termination Kits	Concentric	US - 2 in.	71M80	69M29	---
		3 in.	---	60L46	60L46
	Canada	2 in.	44W92	44W92	---
		3 in.	---	44W93	44W93
	Flush-Mount	US - 2, 2-1/2 or 3 in.	51W11	51W11	51W11
		Canada - 2, 2-1/2 or 3 in.	51W12	51W12	51W12
	Wall - Close Couple	US - 2 in.	22G44	---	---
		3 in.	44J40	44J40	44J40
	Wall - Close Couple WTK	Canada - 2 in.	30G28	---	---
		3 in.	81J20	81J20	81J20
	Termination Kits	Roof	2 in.	15F75	15F75
Wall Ring Kit		2 in.	15F74	3 15F74	---
2 Roof Termination Flashing Kit (2 flashings)		3 in.	44J41	44J41	44J41

1 Cleanable frame type filter.

2 Kits contain enough parts for two, non-direct vent installations.

3 Non-direct vent only.

NOTE - Termination Kits 44W92, 44W93, 30G28, 51W12, 81J20 are certified to ULC S636 standard for use in Canada only.

GAS HEAT ACCESSORIES

Input	High Altitude Pressure Switch Kit		Natural Gas to LPG/Propane Kit	LPG/Propane to Natural Gas Kit	Natural Gas High Altitude Orifice Kit	LPG/Propane High Altitude Orifice Kit
	4501 - 7500 ft.	7501 - 10,000 ft.	0 - 7500 ft.	0 - 7500 ft.	7501 - 10,000 ft.	7501 - 10,000 ft.
030	No Change	93W87	13X54	N/A	14C90	14C91
045	No Change	93W87	11K49	73W81	73W37	68W68
070	93W93	93W86	11K49	73W81	73W37	68W68
090	93W92	93W86	11K49	73W81	73W37	68W68
110	93W93	93W86	11K49	73W81	73W37	68W68
135	93W92	93W86	11K49	73W81	73W37	68W68

NOTE - Due to Lennox' ongoing commitment to quality, Specifications, Ratings and Dimensions subject to change without notice and without incurring liability. Improper installation, adjustment, alteration, service or maintenance can cause property damage or personal injury. Installation and service must be performed by a qualified installer and servicing agency.



PRODUCT CATALOG

**GAS FURNACES
EL180UHE
ELITE® SERIES**

**Upflow/Horizontal - High Efficiency Blower Motor
AFUE - 80%
Input - 44,000 to 132,000 Btuh**

Page 37
January 2016
Supersedes June 2015

NOTE - Not Available In Canada!

FEATURES

Heating System

- Lennox Duralok™ Aluminized Steel Heat Exchanger Assembly
- Aluminized Steel Inshot Burners
- Gas Control Valve with 100% Safety Shutoff
- Flame Rollout Switches
- Hot Surface, Nitride Ignitor
- Combustion Air Inducer
- Limit Control

Controls

- Integrated Furnace Control
- 24 Volt Transformer
- Field Wiring Make-up Box

Blower

- High Efficiency Constant Torque Blower Motor
- DC Brushless Motor

Cabinet

- Upflow/Horizontal applications
- Pre-painted Cabinet Finish
- Fully insulated cabinet with foil-faced insulation on sides and back of heating compartment and mat-faced insulation in blower compartment.

Coil Match-up

All furnaces match C33/35 and CX34/35 cased upflow indoor coils and CH33 horizontal indoor coils with same letter designation in model number.



ACCESSORIES

See page 41

Cabinet

- Horizontal Suspension Kit
- Return Air Base

Controls

- Blower Motor Relay Kit
- Thermostat

Filter Kits

- Air Filter and Rack Kits

Gas Heating

- Gas Conversion Kits
- High Altitude Orifice Kit (natural gas only)
- High Altitude Pressure Switch Kit

Service Kits

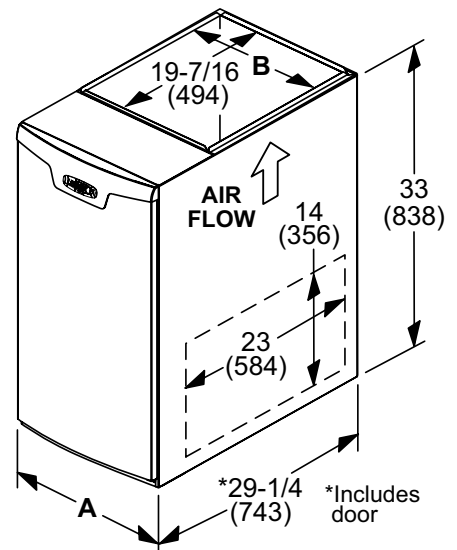
- Night Service Kit
- Universal Service Kit - Switches

LIMITED WARRANTY

Heat Exchanger - twenty years
All other covered components - five years
Refer to Lennox Equipment Limited Warranty certificate included with equipment for details

Furnace Width	"A"	"B"	"C"	"D"
A Dimension	14-1/2 (368)	17-1/2 (446)	21 (533)	24-1/2 (622)
B Dimension	13-3/8 (340)	16-3/8 (416)	19-7/8 (454)	23-3/8 (546)
Bottom Width return	13 (330)	16 (406)	19-1/2 (495)	23 (584)
Depth	23-1/2 (597)	23-1/2 (597)	23-1/2 (597)	23-1/2 (597)

DIMENSIONS



NOTE - Due to Lennox' ongoing commitment to quality, Specifications, Ratings and Dimensions subject to change without notice and without incurring liability. Improper installation, adjustment, alteration, service or maintenance can cause property damage or personal injury. Installation and service must be performed by a qualified installer and servicing agency.

SPECIFICATIONS				
Gas Heating Performance	Model No. Model No. - Low Nox	EL180UH045E36A EL180UH045XE36A	EL180UH070E36B EL180UH070XE36B	EL180UH090E48B EL180UH090XE48B
	¹ AFUE	80%	80%	80%
	Input - Btuh	44,000	66,000	88,000
	Output - Btuh	36,000	53,000	72,000
	Temperature rise range - °F	15 - 45	40 - 70	35 - 65
	Gas Manifold Pressure (in. w.g.) Nat. Gas / LPG/Propane	3.5 / 10.0	3.5 / 10.0	3.5 / 10.0
High Static - in. w.g.		0.50	0.50	0.50
Connections	Flue connection - in. round	4	4	4
in.	Gas pipe size IPS	1/2	1/2	1/2
Indoor Blower	Wheel nom. dia. x width - in.	10 x 8	10 x 10	10 x 10
	Motor output - hp	1/2	1/2	3/4
	Tons of add-on cooling	1.5 - 3	1.5 - 3	2.5 - 4
	Air Volume Range - cfm	350 - 1380	395 - 1415	750 - 1785
Electrical Data	Voltage	120 volts - 60 hertz - 1 phase		
	Blower motor full load amps	6.8	6.8	8.4
	Maximum overcurrent protection	15	15	15
Shipping Data	lbs. - 1 package	111	127	142

SPECIFICATIONS				
Gas Heating Performance	Model No. Model No. - Low Nox	EL180UH090E60C ---	EL180UH110E60C EL180UH110XE60C	EL180UH135E60D ---
	¹ AFUE	80%	80%	80%
	Input - Btuh	88,000	110,000	132,000
	Output - Btuh	72,000	90,000	107,000
	Temperature rise range - °F	30 - 60	35 - 65	30 - 60
	Gas Manifold Pressure (in. w.g.) Nat. Gas / LPG/Propane	3.5 / 10.0	3.5 / 10.0	3.5 / 10.0
High Static - in. w.g.		0.50	0.50	0.50
Connections	Flue connection - in. round	4	4	4
in.	Gas pipe size IPS	1/2	1/2	1/2
Indoor Blower	Wheel nom. dia. x width - in.	11-1/2 x 10	11-1/2 x 10	11 x 11
	Motor output - hp	1	1	1
	Tons of add-on cooling	3 - 5	3 - 5	3.5 - 5
	Air Volume Range - cfm	990 - 2290	920 - 2315	1140 - 2495
Electrical Data	Voltage	120 volts - 60 hertz - 1 phase		
	Blower motor full load amps	10.9	10.9	10.9
	Maximum overcurrent protection	15	15	15
Shipping Data	lbs. - 1 package	152	160	178

NOTE - Filters and provisions for mounting are not furnished and must be field provided.

¹ Annual Fuel Utilization Efficiency based on DOE test procedures and according to FTC labeling regulations. Isolated combustion system rating for non-weatherized furnaces.



NOTE - Due to Lennox' ongoing commitment to quality, Specifications, Ratings and Dimensions subject to change without notice and without incurring liability. Improper installation, adjustment, alteration, service or maintenance can cause property damage or personal injury. Installation and service must be performed by a qualified installer and servicing agency.



PRODUCT CATALOG

**GAS FURNACES
EL180DFE
ELITE® SERIES**

**Downflow - High Efficiency Blower Motor
AFUE - 80%
Input - 44,000 to 110,000 Btuh**

Page 39
January 2016
Supersedes June 2015

NOTE - Not Available In Canada!

FEATURES

Heating System

- Lennox Duralok™ Aluminized Steel Heat Exchanger Assembly
- Aluminized Steel Inshot Burners
- Gas Control Valve with 100% Safety Shutoff
- Flame Rollout Switch
- Hot Surface, Nitride Ignitor
- Combustion Air Inducer
- Limit Controls

Controls

- Integrated Furnace Control
- 24 Volt Transformer
- Field Wiring Make-up Box

Blower

- High Efficiency Constant Torque Blower Motor
- DC Brushless Motor

Cabinet

- Downflow applications
- Pre-painted cabinet finish
- Fully insulated cabinet with foil-faced insulation on sides and back of heating compartment and mat-faced insulation in blower compartment.

Coil Match-up

CR33 downflow indoor coils will physically match the furnace supply air opening with the same letter designation in the model number.



ACCESSORIES

See page 41

Cabinet

- Downflow Combustible Flooring Base

Controls

- Blower Motor Relay Kit
- Thermostat

Filters

- Downflow Filter Kits

Gas Heating

- Gas Conversion Kits
- High Altitude Pressure Switch Kits

Service Kits

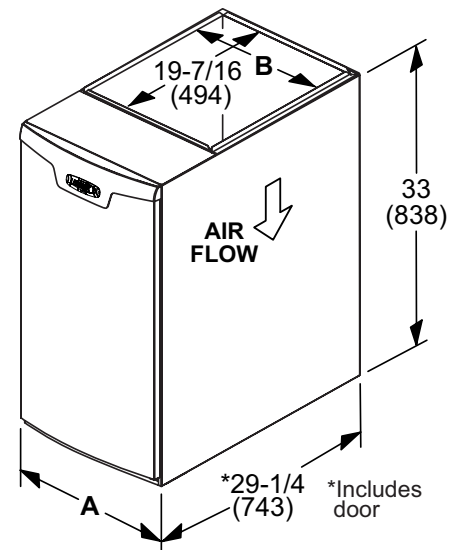
- Night Service Kit
- Universal Service Kit - Switches

LIMITED WARRANTY

Heat Exchanger - twenty years
All other covered components - five years
Refer to Lennox Equipment Limited Warranty certificate included with equipment for details

Furnace Width	"A"	"B"	"C"
A Dimension	14-1/2 (368)	17-1/2 (446)	21 (533)
B Dimension	13-3/8 (340)	16-3/8 (416)	19-7/8 (454)
Bottom Width return	13 (330)	16 (406)	19-1/2 (495)
Depth	19-1/4 (489)	19-1/4 (489)	19-1/4 (489)

DIMENSIONS



NOTE - Due to Lennox' ongoing commitment to quality, Specifications, Ratings and Dimensions subject to change without notice and without incurring liability. Improper installation, adjustment, alteration, service or maintenance can cause property damage or personal injury. Installation and service must be performed by a qualified installer and servicing agency.

SPECIFICATIONS

		Model No.	EL180DF045E36A	EL180DF070E36B	EL180DF090E48B	EL180DF110E60C
Gas Heating Performance		¹ AFUE	80%	80%	80%	80%
		Input - Btuh	44,000	66,000	88,000	110,000
		Output - Btuh	36,000	54,000	72,000	90,000
		Temperature rise range - °F	15 - 45	30 - 60	30 - 60	30 - 60
		Gas Manifold Pressure (in. w.g.) Nat. Gas / LPG/Propane	3.5 / 10.0	3.5 / 10.0	3.5 / 10.0	3.5 / 10.0
High Static - in. w.g.			0.50	0.50	0.50	0.50
Connections in.	Flue connection - in. round		4	4	4	4
	Gas pipe size IPS		1/2	1/2	1/2	1/2
Indoor Blower	Wheel nom. dia. x width - in.		10 x 8	10 x 10	10 x 10	11-1/2 x 10
	Motor output - hp		1/2	1/2	3/4	1
	Tons of add-on cooling		1.5 - 3	1.5 - 3	2.5 - 4	3 - 5
	Air Volume Range - cfm		355 - 1430	430 - 1475	680 - 1750	990 - 2410
Electrical Data	Voltage		120 volts - 60 hertz - 1 phase			
	Blower motor full load amps		6.8	6.8	8.4	10.9
	Maximum overcurrent protection		15	15	15	15
Shipping Data	lbs. - 1 package		113	128	140	160

NOTE - Filters and provisions for mounting are not furnished and must be field provided.

¹ Annual Fuel Utilization Efficiency based on DOE test procedures and according to FTC labeling regulations. Isolated combustion system rating for non-weatherized furnaces.



NOTE - Due to Lennox' ongoing commitment to quality, Specifications, Ratings and Dimensions subject to change without notice and without incurring liability. Improper installation, adjustment, alteration, service or maintenance can cause property damage or personal injury. Installation and service must be performed by a qualified installer and servicing agency.



OPTIONAL ACCESSORIES - ORDER SEPARATELY

NOTE - FURNACE CANNOT BE TWINNED!

	"A" Width	"B" Width	"C" Width	"D" Width	
CABINET ACCESSORIES					
Downflow Combustible Flooring Base - Downflow only	11M59	11M60	11M61	---	
Horizontal Suspension Kit - Horizontal only	51W10	51W10	51W10	51W10	
Return Air Base - Upflow only	65W75	50W98	50W99	51W00	
CONTROLS					
Blower Motor Relay Kit	85W66	85W66	85W66	85W66	
DOWNFLOW FILTER KITS					
Downflow Filter Cabinet	51W06	51W07	51W08	---	
¹ No. and size of filter - in.	(1) 20 x 20 x 1	(2) 16 x 20 x 1	(2) 16 x 20 x 1	---	
SERVICE KITS					
Night Service Kit	84W47	84W47	84W47	84W47	
Universal Service Kit - Switches	89W19	89W19	89W19	89W19	
UPFLOW/HORIZONTAL FILTER KITS					
¹ Air Filter and Rack Kit	Horizontal (end)	87L95	87L96	87L97	87L98
	Size of filter - in.	14 x 25 x 1	18 x 25 x 1	20 x 25 x 1	25 x 25 x 1
	Side Return	44J22	44J22	44J22	44J22
	Single	66K63	66K63	66K63	66K63
	Ten Pack	66K63	66K63	66K63	66K63
	Size of filter - in.	16 x 25 x 1	16 x 25 x 1	16 x 25 x 1	16 x 25 x 1
VENTING					
Vent Adaptor - 6 in. connection size upflow applications only	18M79	18M79	18M79	18M79	

¹ Cleanable frame type filter.

GAS HEAT ACCESSORIES

Input	High Altitude Pressure Switch Kit			Natural Gas to LPG/Propane Kit		LPG/Propane to Natural Gas Kit	Natural Gas High Altitude Orifice Kit
	0 - 4500 ft.	4501 - 7500 ft.	7501 - 10,000 ft.	0 - 7500 ft.	7501 - 10,000 ft.	0 - 7500 ft.	7501 - 10,000 ft.
045	No Change	80W52 (upflow) (no change for downflow)	80W51	11K49	76W15	73W81	73W37
070	No Change	80W52	80W51	11K49	76W15	73W81	73W37
090	No Change	80W52 (upflow) (no change for downflow)	80W51	11K49	76W15	73W81	73W37
110	No Change	80W57	80W52	11K49	76W15	73W81	73W37
135	No Change	80W52	80W51	11K49	76W15	73W81	73W37

NOTE - Due to Lennox' ongoing commitment to quality, Specifications, Ratings and Dimensions subject to change without notice and without incurring liability. Improper installation, adjustment, alteration, service or maintenance can cause property damage or personal injury. Installation and service must be performed by a qualified installer and servicing agency.



PRODUCT CATALOG

**GAS FURNACES
ML195UH
MERIT® SERIES**

Upflow/Horizontal - Direct/Non-Direct Vent
AFUE - 95%
Input - 44,000 to 132,000 Btuh

Page 43
January 2016
Supersedes June 2015

FEATURES

Heating System

- Lennox Designed Aluminized Steel Heat Exchanger Assembly
- Aluminized Steel Inshot Burners
- Gas Control Valve with 100% Safety Shutoff
- Flame Rollout Switch
- Hot Surface Silicone Nitride Ignitor
- Combustion Air Inducer
- Limit Control

Direct Vent/Non-Direct Vent Sealed Combustion

- Direct Vent - combustion air supplied from outdoors
- Non-Direct Vent - combustion air supplied from indoors

Controls

- Integrated Furnace Control
- Built-in Twinning Capability
- 24 Volt Transformer
- Field Wiring Make-up Box

Blower

- Multi-Speed, Direct Drive Blower

Cabinet

- Upflow/Horizontal applications
- Pre-painted cabinet finish
- Foil-faced insulation on sides and back of heating compartment.

Coil Match-up

All furnaces match C33/35 and CX34/35 cased upflow indoor coils and CH33 horizontal indoor coils with same letter designation in model number.



ACCESSORIES

See page 47

Cabinet

- Condensate Kits
- Condensate Drain Heat Cable
- Crawl Space Vent Drain Kit
- Horizontal Suspension Kit
- Return Air Base

Controls

- Thermostat

Filter Kits

- Air Filter and Rack Kits

Gas Heating

- Gas Conversion Kits
- High Altitude Pressure Switch Kits
- High Altitude Orifice Kits
- Termination Kits

Service Kits

- Night Service Kit
- Universal Service Kit - Switches

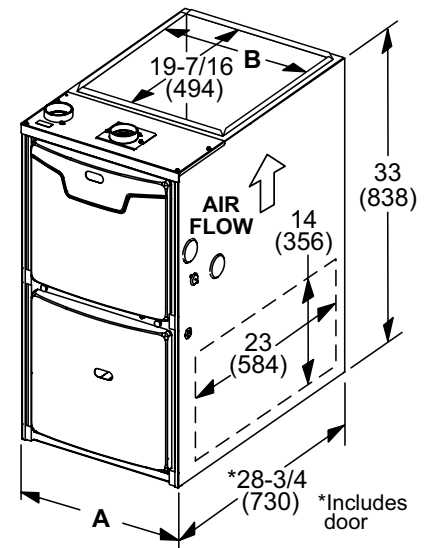
LIMITED WARRANTY

Heat Exchanger - twenty years
All other covered components - five years

Refer to Lennox Equipment Limited Warranty certificate included with equipment for details

DIMENSIONS

Furnace Width		"B"	"C"	"D"
A Dimension	Width	17-1/2 (446)	21 (533)	24-1/2 (622)
	Depth	16-3/8 (416)	19-7/8 (454)	23-3/8 (546)
Bottom return	Width	16 (406)	19-1/2 (495)	23 (584)
	Depth	23-1/2 (597)	23-1/2 (597)	23-1/2 (597)



NOTE - Due to Lennox' ongoing commitment to quality, Specifications, Ratings and Dimensions subject to change without notice and without incurring liability. Improper installation, adjustment, alteration, service or maintenance can cause property damage or personal injury. Installation and service must be performed by a qualified installer and servicing agency.

SPECIFICATIONS					
Gas Heating Performance	Model No.	ML195UH 045XP24B	ML195UH 045XP36B	ML195UH 070XP36B	ML195UH 090XP36C
	¹ AFUE	95%	95%	95%	95%
	Input - Btuh	44,000	44,000	66,000	88,000
	Output - Btuh	41,000	42,000	64,000	85,000
	Temperature rise range - °F	35 - 65	25 - 55	40 - 70	40 - 70
	Gas Manifold Pressure (in. w.g.) Nat. Gas / LPG/Propane	3.5 / 10.0	3.5 / 10.0	3.5 / 10.0	3.5 / 10.0
	High static - in. w.g.	0.5	0.5	0.5	0.5
Connections in.	Intake / Exhaust Pipe (PVC)	2 / 2	2 / 2	2 / 2	2 / 2
	Gas pipe size IPS	1/2	1/2	1/2	1/2
	Condensate Drain Trap (PVC pipe) - i.d.	3/4	3/4	3/4	3/4
	with furnished 90° street elbow with field supplied (PVC coupling) - o.d.	3/4 slip x 3/4 Mipt 3/4 slip x 3/4 MPT	3/4 slip x 3/4 Mipt 3/4 slip x 3/4 MPT	3/4 slip x 3/4 Mipt 3/4 slip x 3/4 MPT	3/4 slip x 3/4 Mipt 3/4 slip x 3/4 MPT
Indoor Blower	Wheel nom. dia. x width - in.	10 x 8	10 x 8	10 x 8	10 x 8
	Motor output - hp	1/2	1/3	1/3	1/3
	Tons of add-on cooling	1.5 - 2	2 - 3	2.5 - 3	2 - 3
	Air Volume Range - cfm	390 - 1140	700 - 1605	650 - 1585	655 - 1630
Electrical Data	Voltage	120 volts - 60 hertz - 1 phase			
	Blower motor full load amps	3.1	6.1	6.1	6.1
	Maximum overcurrent protection	15	15	15	15
Shipping Data	lbs. - 1 package	119	121	127	142

NOTE - Filters and provisions for mounting are not furnished and must be field provided.

¹ Annual Fuel Utilization Efficiency based on DOE test procedures and according to FTC labeling regulations. Isolated combustion system rating for non-weatherized furnaces.

SPECIFICATIONS						
Gas Heating Performance	Model No.	ML195UH 090XP48C	ML195UH 090XP60C	ML195UH 110XP48C	ML195UH 110XP60C	ML195UH 135XP60D
	¹ AFUE	95%	95%	95%	95%	95%
	Input - Btuh	88,000	88,000	110,000	110,000	132,000
	Output - Btuh	85,000	85,000	105,000	106,000	126,000
	Temperature rise range - °F	40 - 70	30 - 60	40 - 70	40 - 70	45 - 75
	Gas Manifold Pressure (in. w.g.) Nat. Gas / LPG/Propane	3.5 / 10.0	3.5 / 10.0	3.5 / 10.0	3.5 / 10.0	3.5 / 10.0
	High static - in. w.g.	0.5	0.5	0.5	0.5	0.5
Connections in.	Intake / Exhaust Pipe (PVC)	2 / 2	2 / 2	2 / 2	2 / 2	2 / 2
	Gas pipe size IPS	1/2	1/2	1/2	1/2	1/2
	Condensate Drain Trap (PVC pipe) - i.d.	3/4	3/4	3/4	3/4	3/4
	with furnished 90° street elbow (slip x Mipt) with field supplied (PVC coupling) - o.d.	3/4 slip x 3/4 Mipt 3/4 slip x 3/4 MPT	3/4 slip x 3/4 Mipt 3/4 slip x 3/4 MPT	3/4 slip x 3/4 Mipt 3/4 slip x 3/4 MPT	3/4 slip x 3/4 Mipt 3/4 slip x 3/4 MPT	3/4 slip x 3/4 Mipt 3/4 slip x 3/4 MPT
Indoor Blower	Wheel nom. dia. x width - in.	10 x 10	11-1/2 x 10	10 x 10	11-1/2 x 10	11-1/2 x 10
	Motor output - hp	1/2	1	1/2	1	1
	Tons of add-on cooling	3 - 4	4 - 5	3 - 4	4 - 5	4 - 5
	Air Volume Range - cfm	900 - 2140	1290 - 2445	715 - 2000	1235 - 2485	1135 - 2595
Electrical Data	Voltage	120 volts - 60 hertz - 1 phase				
	Blower motor full load amps	8.2	11.5	8.2	11.5	11.5
	Maximum overcurrent protection	15	15	15	15	15
Shipping Data	lbs. - 1 package	147	152	159	164	177

NOTE - Filters and provisions for mounting are not furnished and must be field provided.

¹ Annual Fuel Utilization Efficiency based on DOE test procedures and according to FTC labeling regulations. Isolated combustion system rating for non-weatherized furnaces.



NOTE - Due to Lennox' ongoing commitment to quality, Specifications, Ratings and Dimensions subject to change without notice and without incurring liability. Improper installation, adjustment, alteration, service or maintenance can cause property damage or personal injury. Installation and service must be performed by a qualified installer and servicing agency.



PRODUCT CATALOG

**GAS FURNACES
ML195DF
MERIT® SERIES**

**Downflow - Direct/Non-Direct Vent
AFUE - 95%
Input - 44,000 to 110,000 Btuh**

Page 45
January 2016
Supersedes June 2015

FEATURES

Heating System

- Lennox Designed Aluminized Steel Heat Exchanger Assembly
- Aluminized Steel Inshot Burners
- Gas Control Valve with 100% Safety Shutoff
- Flame Rollout Switch
- Hot Surface Silicone Nitride Ignitor
- Combustion Air Inducer
- Limit Control

Direct Vent/Non-Direct Vent Sealed Combustion

- Direct Vent - combustion air supplied from outdoors
- Non-Direct Vent - combustion air supplied from indoors

Controls

- Integrated Furnace Control
- Built-in Twinning Capability
- 24 Volt Transformer
- Field Wiring Make-up Box

Blower

- Multi-Speed, Direct Drive Blower

Cabinet

- Downflow applications
- Pre-painted cabinet finish
- Foil-faced insulation on sides and back of heating compartment.

Coil Match-up

CR33 downflow indoor coils will physically match the furnace supply air opening with the same letter designation in the model number.



ACCESSORIES

See page 47

Cabinet

- Condensate Kits
- Condensate Drain Heat Cable
- Crawl Space Vent Drain Kit
- Downflow Combustible Flooring Base

Controls

- Thermostat

Filter Kits

- Downflow Filter Kits

Gas Heating

- Gas Conversion Kits
- High Altitude Pressure Switch Kits
- High Altitude Orifice Kits
- Termination Kits

Service Kits

- Night Service Kit
- Universal Service Kit - Switches

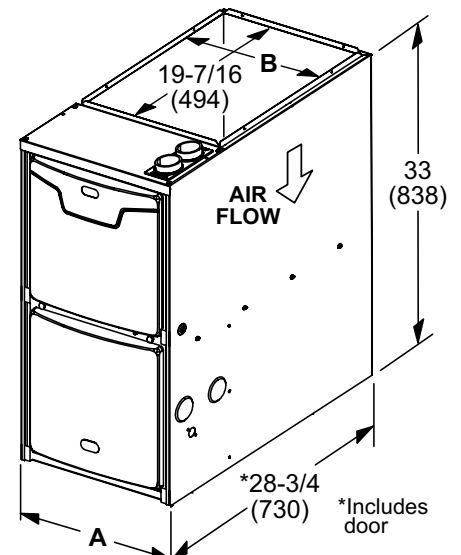
LIMITED WARRANTY

Heat Exchanger - twenty years
All other covered components - five years

Refer to Lennox Equipment Limited Warranty certificate included with equipment for details

Furnace Width		"B"	"C"
A Dimension	Width	17-1/2 (446)	21 (533)
	Depth	19-1/4 (489)	19-1/4 (489)
B Dimension	Width	16-3/8 (416)	19-7/8 (454)
	Depth	19-1/4 (489)	19-1/4 (489)

DIMENSIONS



NOTE - Due to Lennox' ongoing commitment to quality, Specifications, Ratings and Dimensions subject to change without notice and without incurring liability. Improper installation, adjustment, alteration, service or maintenance can cause property damage or personal injury. Installation and service must be performed by a qualified installer and servicing agency.

SPECIFICATIONS

Gas Heating Performance		Model No.	ML195DF045XP36B	ML195DF070XP36B	ML195DF090XP60C	ML195DF110XP60C
		¹ AFUE	95%	95%	95%	95%
		Input - Btuh	44,000	66,000	88,000	110,000
		Output - Btuh	43,000	64,000	86,000	106,000
		Temperature rise range - °F	25 - 55	35 - 65	30 - 60	40 - 70
		Gas Manifold Pressure (in. w.g.) Nat. Gas / LPG/Propane	3.5 / 10.0	3.5 / 10.0	3.5 / 10.0	3.5 / 10.0
		High static - in. w.g.	0.50	0.50	0.50	0.50
Connections in.	Intake / Exhaust Pipe (PVC)		2 / 2	2 / 2	2 / 2	2 / 2
	Gas pipe size IPS		1/2	1/2	1/2	1/2
	Condensate Drain Trap (PVC pipe) - i.d.		3/4	3/4	3/4	3/4
	with furnished 90° street elbow		3/4 slip x 3/4 Mipt	3/4 slip x 3/4 Mipt	3/4 slip x 3/4 Mipt	3/4 slip x 3/4 Mipt
	with field supplied (PVC coupling) - o.d.		3/4 slip x 3/4 MPT	3/4 slip x 3/4 MPT	3/4 slip x 3/4 MPT	3/4 slip x 3/4 MPT
Indoor Blower	Wheel nom. dia. x width - in.		10 x 8	10 x 8	11 ½ x 10	11 ½ x 10
	Motor output - hp		1/3	1/3	1	1
	Tons of add-on cooling		2.5 - 3	2.5 - 3	4 - 5	4 - 5
	Air Volume Range - cfm		605 - 1615	560 - 1505	1270 - 2305	1210 - 2410
Electrical Data	Voltage		120 volts - 60 hertz - 1 phase			
	Blower motor full load amps		6.1	6.1	11.5	11.5
	Maximum overcurrent protection		15	15	15	15
Shipping Data	lbs. - 1 package		121	127	152	164

NOTE - Filters and provisions for mounting are not furnished and must be field provided.

¹ Annual Fuel Utilization Efficiency based on DOE test procedures and according to FTC labeling regulations. Isolated combustion system rating for non-weatherized furnaces.



NOTE - Due to Lennox' ongoing commitment to quality, Specifications, Ratings and Dimensions subject to change without notice and without incurring liability. Improper installation, adjustment, alteration, service or maintenance can cause property damage or personal injury. Installation and service must be performed by a qualified installer and servicing agency.



ML195UH, ML195DF - OPTIONAL ACCESSORIES

PRODUCT CATALOG

Page 47
January 2016
Supersedes June 2015

OPTIONAL ACCESSORIES - ORDER SEPARATELY

			"B" Width	"C" Width	"D" Width	
CABINET ACCESSORIES						
Downflow Combustible Flooring Base - Downflow only			11M60	11M61	11M62	
Horizontal Suspension Kit - Horizontal only			51W10	51W10	51W10	
Return Air Base - Upflow only			50W98	50W99	51W00	
CONDENSATE DRAIN KITS						
Condensate Drain Heat Cable	6 ft.		26K68	26K68	26K68	
	24 ft.		26K69	26K69	26K69	
Crawl Space Vent Drain Kit			51W18	51W18	51W18	
DOWNFLOW FILTER KITS						
Downflow Filter Cabinet			51W07	51W08	---	
⁴ No. and size of filter - in.			(2) 16 x 20 x 1	(2) 16 x 20 x 1	---	
UPFLOW/HORIZONTAL FILTER KITS						
¹ Air Filter and Rack Kit	Horizontal (end)	Size of filter - in.	87L96 - 18 x 25 x 1	87L97 - 20 x 25 x 1	87L98 - 25 x 25 x 1	
		Single	44J22	44J22	44J22	
	Side Return	Ten Pack	66K63	66K63	66K63	
		Size of filter - in.	16 x 25 x 1	16 x 25 x 1	16 x 25 x 1	
SERVICE KITS						
Night Service Kit			68W80	68W80	68W80	
Universal Service Kit - Switches			89W20	89W20	89W20	
TERMINATION KITS						
See Installation Instructions for specific venting information.						
Termination Kits - Direct Vent Applications Only	Concentric	US - 2 in.	71M80	69M29	---	
		3 in.	---	60L46	60L46	
	Canada - 2 in.	3 in.	44W92	44W92	---	
		3 in.	---	44W93	44W93	
	Flush-Mount	US - 2, 2-1/2 or 3 in.	51W11	51W11	51W11	
		Canada - 2, 2-1/2 or 3 in.	51W12	51W12	51W12	
	Wall - Close Couple	2 in.	22G44	---	---	
	Close Couple WTK	3 in.	44J40	44J40	44J40	
		2 in.	30G28	---	---	
		3 in.	81J20	81J20	81J20	
	Termination Kits - Direct or Non-Direct vent	Roof	2 in.	15F75	15F75	---
		Wall - Wall Ring Kit	2 in.	15F74	³ 15F74	---
² Roof Termination Flashing Kit (2 flashings)			3 in.	44J41	44J41	

¹ Cleanable polyurethane frame type filter.

² Kits contain enough parts for two, non-direct vent installations.

³ Non-direct vent only.

NOTE - Termination Kits 44W92, 44W93, 30G28, 51W12, 81J20 are certified to ULC S636 standard for use in Canada only.

GAS HEAT ACCESSORIES

Input	High Altitude Pressure Switch Kit		Natural Gas to LPG/Propane Kit	LPG/Propane to Natural Gas Kit	Natural Gas High Altitude Orifice Kit	LPG/Propane High Altitude Orifice Kit	¹ 36K Derate Kit (Natural Gas)
	4501 - 7500 ft.	7501 - 10,000 ft.	0 - 7500 ft.	0 - 7500 ft.	7501- 10,000 ft.	7501- 10,000 ft.	0 - 10,000 ft.
045	No Change	11U65	11K49	73W81	73W37	68W68	10K55
070	11U71	11U64	11K49	73W81	73W37	68W68	---
090	11U70	11U64	11K49	73W81	73W37	68W68	---
110	11U71	11U64	11K49	73W81	73W37	68W68	---
135	11U70	11U64	11K49	73W81	73W37	68W68	---

¹ NOTE - 36K Derate Kit information - Reduced Input is 36,000 Btuh, output is 34,200 Btuh.

NOTE - Due to Lennox' ongoing commitment to quality, Specifications, Ratings and Dimensions subject to change without notice and without incurring liability. Improper installation, adjustment, alteration, service or maintenance can cause property damage or personal injury. Installation and service must be performed by a qualified installer and servicing agency.



PRODUCT CATALOG

**GAS FURNACES
ML193UH
MERIT® SERIES**

Upflow/Horizontal - Direct/Non-Direct Vent
AFUE - 93%
Input - 44,000 to 132,000 Btuh

Page 49
January 2016
Supersedes June 2015

FEATURES

Heating System

- Lennox Designed Aluminized Steel Heat Exchanger Assembly
- Aluminized Steel Inshot Burners
- Gas Control Valve with 100% Safety Shutoff
- Flame Rollout Switch
- Hot Surface Silicone Nitride Ignitor
- Combustion Air Inducer
- Limit Control

Direct Vent/Non-Direct Vent Sealed Combustion

- Direct Vent - combustion air supplied from outdoors
- Non-Direct Vent - combustion air supplied from indoors

Controls

- Integrated Furnace Control
- Built-in Twinning Capability
- 24 Volt Transformer
- Field Wiring Make-up Box

Blower

- Multi-Speed, Direct Drive Blower

Cabinet

- Upflow/Horizontal applications
- Pre-painted cabinet finish
- Foil-faced insulation on sides and back of heating compartment.

Coil Match-up

All furnaces match C33/35 and CX34/35 cased upflow indoor coils and CH33 horizontal indoor coils with same letter designation in model number.



ACCESSORIES

See page 53

Cabinet

- Condensate Kits
- Condensate Drain Heat Cable
- Crawl Space Vent Drain Kit
- Horizontal Suspension Kit
- Return Air Base

Controls

- Thermostat

Filter Kits

- Air Filter and Rack Kits

Gas Heating

- Gas Conversion Kits
- High Altitude Pressure Switch Kits
- High Altitude Orifice Kits
- Termination Kits

Service Kits

- Night Service Kit
- Universal Service Kit - Switches

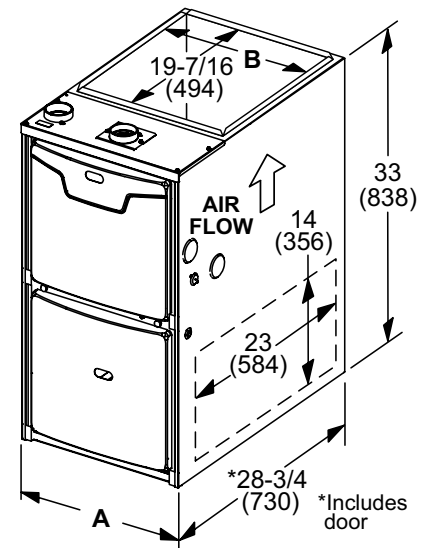
LIMITED WARRANTY

Heat Exchanger - twenty years
All other covered components - five years

Refer to Lennox Equipment Limited Warranty certificate included with equipment for details

Furnace Width		"B"	"C"	"D"
A Dimension	Width	17-1/2 (446)	21 (533)	24-1/2 (622)
	Depth	16-3/8 (416)	19-7/8 (454)	23-3/8 (546)
Bottom return	Width	16 (406)	19-1/2 (495)	23 (584)
	Depth	23-1/2 (597)	23-1/2 (597)	23-1/2 (597)

DIMENSIONS



NOTE - Due to Lennox' ongoing commitment to quality, Specifications, Ratings and Dimensions subject to change without notice and without incurring liability. Improper installation, adjustment, alteration, service or maintenance can cause property damage or personal injury. Installation and service must be performed by a qualified installer and servicing agency.

SPECIFICATIONS						
Gas Heating Performance	Model No.	ML193UH 045XP24B	ML193UH 045XP36B	ML193UH 070XP24B	ML193UH 070XP36B	ML193UH 090XP36C
	¹ AFUE	93%	93%	93%	93%	93%
	Input - Btuh	44,000	44,000	66,000	66,000	88,000
	Output - Btuh	41,000	42,000	62,000	62,000	83,000
	Temperature rise range - °F	35 - 65	25 - 55	50 - 80	40 - 70	50 - 80
	Gas Manifold Pressure (in. w.g.) Nat. Gas / LPG/Propane	3.5 / 10.0	3.5 / 10.0	3.5 / 10.0	3.5 / 10.0	3.5 / 10.0
	High static - in. w.g.	0.50	0.50	0.50	0.50	0.50
Connections in.	Intake / Exhaust Pipe (PVC)	2 / 2	2 / 2	2 / 2	2 / 2	2 / 2
	Gas pipe size IPS	1/2	1/2	1/2	1/2	1/2
	Condensate Drain Trap (PVC pipe) - i.d.	3/4	3/4	3/4	3/4	3/4
	with furnished 90° street elbow with field supplied (PVC coupling) - o.d.	3/4 slip x 3/4 Mipt 3/4 slip x 3/4 MPT	3/4 slip x 3/4 Mipt 3/4 slip x 3/4 MPT	3/4 slip x 3/4 Mipt 3/4 slip x 3/4 MPT	3/4 slip x 3/4 Mipt 3/4 slip x 3/4 MPT	3/4 slip x 3/4 Mipt 3/4 slip x 3/4 MPT
Indoor Blower	Wheel nom. dia. x width - in.	10 x 8	10 x 8	10 x 8	10 x 8	10 x 8
	Motor output - hp	1/5	1/3	1/5	1/3	1/3
	Tons of add-on cooling	1.5 - 2	2.5 - 3	1.5 - 2	2.5 - 3	2 - 3
	Air Volume Range - cfm	390 - 1140	700 - 1600	390 - 1140	660 - 1615	695 - 1620
Electrical Data	Voltage	120 volts - 60 hertz - 1 phase				
	Blower motor full load amps	15	6.1	3.1	6.1	6.1
	Maximum overcurrent protection	15	15	15	15	15
Shipping Data	lbs. - 1 package	120	122	125	127	143

NOTE - Filters and provisions for mounting are not furnished and must be field provided.

¹ Annual Fuel Utilization Efficiency based on DOE test procedures and according to FTC labeling regulations. Isolated combustion system rating for non-weatherized furnaces.

SPECIFICATIONS					
Gas Heating Performance	Model No.	ML193UH 090XP48C	ML193UH 110XP48C	ML193UH 110XP60C	ML193UH 135XP60D
	¹ AFUE	93%	93%	93%	93%
	Input - Btuh	88,000	110,000	110,000	132,000
	Output - Btuh	83,000	104,000	104,000	124,000
	Temperature rise range - °F	40 - 70	50 - 80	40 - 70	45 - 75
	Gas Manifold Pressure (in. w.g.) Nat. Gas / LPG/Propane	3.5 / 10.0	3.5 / 10.0	3.5 / 10.0	3.5 / 10.0
	High static - in. w.g.	0.50	0.50	0.50	0.50
Connections in.	Intake / Exhaust Pipe (PVC)	2 / 2	2 / 2	2 / 2	2 / 2
	Gas pipe size IPS	1/2	1/2	1/2	1/2
	Condensate Drain Trap (PVC pipe) - i.d.	3/4	3/4	3/4	3/4
	with furnished 90° street elbow with field supplied (PVC coupling) - o.d.	3/4 slip x 3/4 Mipt 3/4 slip x 3/4 MPT	3/4 slip x 3/4 Mipt 3/4 slip x 3/4 MPT	3/4 slip x 3/4 Mipt 3/4 slip x 3/4 MPT	3/4 slip x 3/4 Mipt 3/4 slip x 3/4 MPT
Indoor Blower	Wheel nom. dia. x width - in.	10 x 10	10 x 10	11 ½ x 10	11 ½ x 10
	Motor output - hp	1/2	1/2	1	1
	Tons of add-on cooling	3 - 4	3 - 4	4 - 5	4 - 5
	Air Volume Range - cfm	900 - 2025	850 - 2030	1210 - 2525	1340 - 2800
Electrical Data	Voltage	120 volts - 60 hertz - 1 phase			
	Blower motor full load amps	8.2	8.2	11.5	11.5
	Maximum overcurrent protection	15	15	15	15
Shipping Data	lbs. - 1 package	146	155	161	178

NOTE - Filters and provisions for mounting are not furnished and must be field provided.

¹ Annual Fuel Utilization Efficiency based on DOE test procedures and according to FTC labeling regulations. Isolated combustion system rating for non-weatherized furnaces.



NOTE - Due to Lennox' ongoing commitment to quality, Specifications, Ratings and Dimensions subject to change without notice and without incurring liability. Improper installation, adjustment, alteration, service or maintenance can cause property damage or personal injury. Installation and service must be performed by a qualified installer and servicing agency.



PRODUCT CATALOG

**GAS FURNACES
ML193DF
MERIT® SERIES**

**Downflow - Direct/Non-Direct Vent
AFUE - 93%
Input - 44,000 to 110,000 Btuh**

Page 51
January 2016
Supersedes June 2015

FEATURES

Heating System

- Lennox Designed Aluminized Steel Heat Exchanger Assembly
- Aluminized Steel Inshot Burners
- Gas Control Valve with 100% Safety Shutoff
- Flame Rollout Switch
- Hot Surface Silicone Nitride Ignitor
- Combustion Air Inducer
- Limit Control

Direct Vent/Non-Direct Vent Sealed Combustion

- Direct Vent - combustion air supplied from outdoors
- Non-Direct Vent - combustion air supplied from indoors

Controls

- Integrated Furnace Control
- Built-in Twinning Capability
- 24 Volt Transformer
- Field Wiring Make-up Box

Blower

- Multi-Speed, Direct Drive Blower

Cabinet

- Downflow applications
- Pre-painted cabinet finish
- Foil-faced insulation on sides and back of heating compartment.

Coil Match-up

CR33 downflow indoor coils will physically match the furnace supply air opening with the same letter designation in the model number.



ACCESSORIES

See page 53

Cabinet

- Condensate Kits
- Condensate Drain Heat Cable
- Crawl Space Vent Drain Kit
- Downflow Combustible Flooring Base

Controls

- Thermostat

Filter Kits

- Downflow Filter Kits

Gas Heating

- Gas Conversion Kits
- High Altitude Pressure Switch Kits
- High Altitude Orifice Kits
- Termination Kits

Service Kits

- Night Service Kit
- Universal Service Kit - Switches

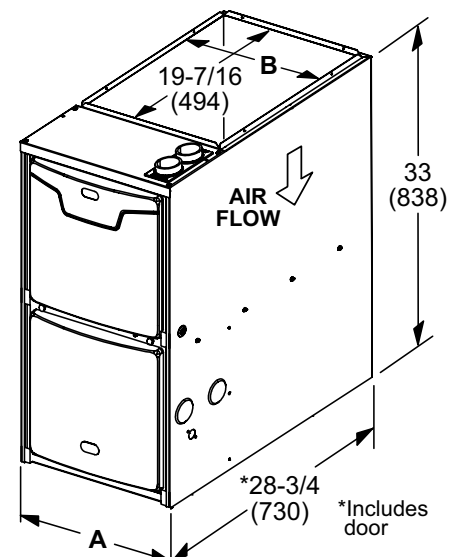
LIMITED WARRANTY

Heat Exchanger - twenty years
All other covered components - five years

Refer to Lennox Equipment Limited Warranty certificate included with equipment for details

Furnace Width		"B"	"C"
A Dimension		17-1/2 (446)	21 (533)
B Dimension		16-3/8 (416)	19-7/8 (454)
Bottom supply	Width	16 (406)	19-1/2 (495)
	Depth	19-1/4 (489)	19-1/4 (489)

DIMENSIONS



NOTE - Due to Lennox' ongoing commitment to quality, Specifications, Ratings and Dimensions subject to change without notice and without incurring liability. Improper installation, adjustment, alteration, service or maintenance can cause property damage or personal injury. Installation and service must be performed by a qualified installer and servicing agency.

SPECIFICATIONS

		Model No.	ML193DF045XP36B	ML193DF070XP36B	ML193DF090XP48C	ML193DF110XP60C
Gas Heating Performance		¹ AFUE	93%	93%	93%	93%
		Input - Btuh	44,000	66,000	88,000	110,000
		Output - Btuh	41,000	61,000	82,000	102,000
		Temperature rise range - °F	25 - 55	40 - 70	40 - 70	40 - 70
		Gas Manifold Pressure (in. w.g.) Nat. Gas / LPG/Propane	3.5 / 10.0	3.5 / 10.0	3.5 / 10.0	3.5 / 10.0
		High static - in. w.g.	0.50	0.50	0.50	0.50
Connections in.		Intake / Exhaust Pipe (PVC)	2 / 2	2 / 2	2 / 2	2 / 2
		Gas pipe size IPS	1/2	1/2	1/2	1/2
		Condensate Drain Trap (PVC pipe) - i.d.	3/4	3/4	3/4	3/4
		with furnished 90° street elbow	3/4 slip x 3/4 Mipt	3/4 slip x 3/4 Mipt	3/4 slip x 3/4 Mipt	3/4 slip x 3/4 Mipt
		with field supplied (PVC coupling) - o.d.	3/4 slip x 3/4 MPT	3/4 slip x 3/4 MPT	3/4 slip x 3/4 MPT	3/4 slip x 3/4 MPT
Indoor Blower		Wheel nom. dia. x width - in.	10 x 8	10 x 8	10 x 10	11 ½ x 10
		Motor output - hp	1/3	1/3	1/2	1
		Tons of add-on cooling	2.5 - 3	2.5 - 3	3 - 4	4 - 5
		Air Volume Range - cfm	605 - 1615	560 - 1550	920 - 2145	1210 - 2410
Electrical Data		Voltage	120 volts - 60 hertz - 1 phase			
		Blower motor full load amps	6.1	6.1	8.2	11.5
		Maximum overcurrent protection	15	15	15	15
Shipping Data		lbs. - 1 package	124	129	147	162

NOTE - Filters and provisions for mounting are not furnished and must be field provided.

¹ Annual Fuel Utilization Efficiency based on DOE test procedures and according to FTC labeling regulations. Isolated combustion system rating for non-weatherized furnaces.



NOTE - Due to Lennox' ongoing commitment to quality, Specifications, Ratings and Dimensions subject to change without notice and without incurring liability. Improper installation, adjustment, alteration, service or maintenance can cause property damage or personal injury. Installation and service must be performed by a qualified installer and servicing agency.



ML193UH, ML193DF - OPTIONAL ACCESSORIES

PRODUCT CATALOG

Page 53
January 2016
Supersedes June 2015

OPTIONAL ACCESSORIES - ORDER SEPARATELY

			"B" Width	"C" Width	"D" Width	
CABINET ACCESSORIES						
Downflow Combustible Flooring Base - Downflow only			11M60	11M61	11M62	
Horizontal Suspension Kit - Horizontal only			51W10	51W10	51W10	
Return Air Base - Upflow only			50W98	50W99	51W00	
CONDENSATE DRAIN KITS						
Condensate Drain Heat Cable	6 ft.		26K68	26K68	26K68	
	24 ft.		26K69	26K69	26K69	
Crawl Space Vent Drain Kit			51W18	51W18	51W18	
DOWNFLOW FILTER KITS						
Downflow Filter Cabinet			51W07	51W08	---	
			⁴ No. and size of filter - in. (2) 16 x 20 x 1			(2) 16 x 20 x 1
UPFLOW/HORIZONTAL FILTER KITS						
¹ Air Filter and Rack Kit	Horizontal (end)	Size of filter - in.	87L96 - 18 x 25 x 1	87L97 - 20 x 25 x 1	87L98 - 25 x 25 x 1	
		Single	44J22	44J22	44J22	
	Side Return	Ten Pack	66K63	66K63	66K63	
		Size of filter - in.	16 x 25 x 1	16 x 25 x 1	16 x 25 x 1	
SERVICE KITS						
Night Service Kit			68W80	68W80	68W80	
Universal Service Kit - Switches			89W20	89W20	89W20	
TERMINATION KITS						
See Installation Instructions for specific venting information.						
Termination Kits - Direct Vent Applications Only	Concentric	US - 2 in.	71M80	69M29	---	
		3 in.	---	60L46	60L46	
		Canada - 2 in.	44W92	44W92	---	
	Flush-Mount	3 in.	---	44W93	44W93	
		US - 2, 2-1/2 or 3 in.	51W11	51W11	51W11	
			Canada - 2, 2-1/2 or 3 in.	51W12	51W12	51W12
		Wall - Close Couple	2 in.	22G44	---	---
	3 in.		44J40	44J40	44J40	
	Close Couple WTK		2 in.	30G28	---	---
			3 in.	81J20	81J20	81J20
	Termination Kits - Direct or Non-Direct vent	Roof	2 in.	15F75	15F75	---
Wall - Wall Ring Kit		2 in.	15F74	³ 15F74	---	
² Roof Termination Flashing Kit (2 flashings)		3 in.	44J41	44J41	44J41	

¹ Cleanable polyurethane frame type filter.

² Kits contain enough parts for two, non-direct vent installations.

³ Non-direct vent only.

NOTE - Termination Kits 44W92, 44W93, 30G28, 51W12, 81J20 are certified to ULC S636 standard for use in Canada only.

GAS HEAT ACCESSORIES

Models	High Altitude Pressure Switch Kit		Natural Gas to LPG/Propane Kit	LPG/Propane to Natural Gas Kit	Natural Gas High Altitude Orifice Kit	LPG/Propane High Altitude Orifice Kit	¹ 36K Derate Kit (Natural Gas)
	4501 - 7500 ft.	7501 - 10,000 ft.	0 - 7500 ft.	0 - 7500 ft.	7501- 10,000 ft.	7501- 10,000 ft.	0 - 10,000 ft.
045	11U65	11U66	11K49	73W81	73W37	68W68	10K55
070, 090, 110	11U65	11U66	11K49	73W81	73W37	68W68	---
135	11U70	11U68	11K49	73W81	73W37	68W68	---

¹ NOTE - 36K Derate Kit information - Reduced Input is 36,000 Btuh, output is 33,500 Btuh.

NOTE - Due to Lennox' ongoing commitment to quality, Specifications, Ratings and Dimensions subject to change without notice and without incurring liability. Improper installation, adjustment, alteration, service or maintenance can cause property damage or personal injury. Installation and service must be performed by a qualified installer and servicing agency.



PRODUCT CATALOG

**GAS FURNACES
ML180UH
MERIT® SERIES**

Upflow/Horizontal
AFUE - 80%
Input - 44,000 to 132,000 Btuh

Page 55
January 2016
Supersedes June 2015

NOTE - Not Available In Canada!

FEATURES

Heating System

- Lennox Designed Aluminized Steel Heat Exchanger Assembly
- Aluminized Steel Inshot Burners
- Gas Control Valve with 100% Safety Shutoff
- Flame Rollout Switches
- Hot Surface Silicone Nitride Ignitor
- Combustion Air Inducer
- Limit Control

Controls

- Integrated Furnace Control
- Built-in Twinning Capability
- 24 Volt Transformer
- Field Wiring Make-up Box

Blower

- Multi-Speed, Direct Drive Blower

Cabinet

- Upflow/Horizontal applications
- Pre-painted Cabinet Finish
- Foil-faced insulation on sides and back of heating compartment.

Coil Match-up

- All furnaces match C33/35 and CX34/35 cased upflow indoor coils and CH33 horizontal indoor coils with same letter designation in model number.



ACCESSORIES

Cabinet

- Horizontal Suspension Kit
- Return Air Base

Controls

- Thermostat

Filter Kits

- Air Filter and Rack Kits

Gas Heating

- Gas Conversion Kits
- High Altitude Orifice Kit (natural gas only)
- High Altitude Pressure Switch Kit

Service Kits

- Night Service Kit
- Universal Service Kit - Switches

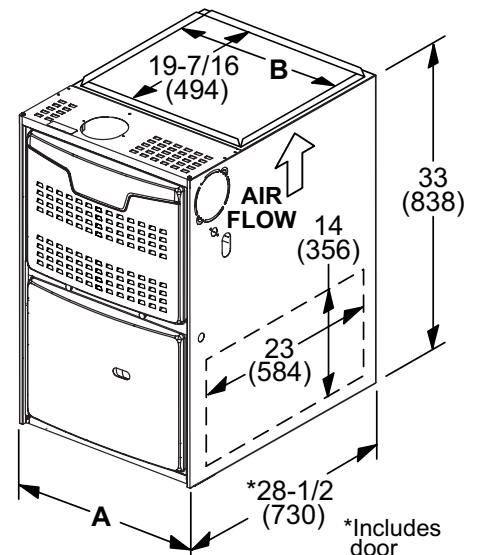
LIMITED WARRANTY

Heat Exchanger - twenty years
All other covered components - five years

Refer to Lennox Equipment Limited Warranty certificate included with equipment for details

Furnace Width	"A"	"B"	"C"	"D"
A Dimension	14-1/2 (368)	17-1/2 (446)	21 (533)	24-1/2 (622)
B Dimension	13-3/8 (340)	16-3/8 (416)	19-7/8 (454)	23-3/8 (546)
Bottom Width return	13 (330)	16 (406)	19-1/2 (495)	23 (584)
Depth	23-1/2 (597)	23-1/2 (597)	23-1/2 (597)	23-1/2 (597)

DIMENSIONS



NOTE - Due to Lennox' ongoing commitment to quality, Specifications, Ratings and Dimensions subject to change without notice and without incurring liability. Improper installation, adjustment, alteration, service or maintenance can cause property damage or personal injury. Installation and service must be performed by a qualified installer and servicing agency.

SPECIFICATIONS

Gas Heating Performance	Model No.	ML180UH 045P24A	ML180UH 045P36A	ML180UH 070P24A	ML180UH 070P36A	ML180UH 090P36B
	Model No. - Low Nox	---	ML180UH 045XP36A	---	ML180UH 070XP36A	---
	¹ AFUE	80%	80%	80%	80%	80%
	Input - Btuh	44,000	44,000	66,000	66,000	88,000
	Output - Btuh	35,000	35,000	54,000	54,000	71,000
	Temperature rise range - °F	20 - 50	15 - 45	30 - 60	30 - 60	25 - 55
	Gas Manifold Pressure (in. w.g.) Nat. Gas / LPG/Propane	3.5 / 10.0	3.5 / 10.0	3.5 / 10.0	3.5 / 10.0	3.5 / 10.0
High Static - in. w.g.		0.50	0.50	0.50	0.50	0.50
Connections in.	Flue connection - in. round	4	4	4	4	4
	Gas pipe size IPS	1/2	1/2	1/2	1/2	1/2
Indoor Blower	Wheel nom. dia. x width - in.	10 x 7	10 x 8	10 x 7	10 x 8	10 x 9
	Motor output - hp	1/5	1/3	1/5	1/3	1/3
	Tons of add-on cooling	2 - 3	2 - 3	1.5 - 2	2 - 3	2 - 3
	Air Volume Range - cfm	345 - 1130	650 - 1670	420 - 1160	785 - 1660	680 - 1795
Electrical Data	Voltage	120 volts - 60 hertz - 1 phase				
	Blower motor full load amps	3.1	6.1	3.1	6.1	6.1
	Maximum overcurrent protection	15	15	15	15	15
Shipping Data	lbs. - 1 package	105	110	114	119	131

NOTE - Filters and provisions for mounting are not furnished and must be field provided.

¹ Annual Fuel Utilization Efficiency based on DOE test procedures and according to FTC labeling regulations. Isolated combustion system rating for non-weatherized furnaces.

SPECIFICATIONS

Gas Heating Performance	Model No.	ML180UH 090P48B	ML180UH 110P48C	ML180UH 110P60C	ML180UH 135P60D
	Model No. - Low Nox	ML180UH 090XP48B	---	ML180UH 110XP60C	---
	¹ AFUE	80%	80%	80%	80%
	Input - Btuh	88,000	110,000	110,000	132,000
	Output - Btuh	71,000	89,000	89,000	107,000
	Temperature rise range - °F	25 - 55	25 - 55	25 - 55	30 - 60
	Gas Manifold Pressure (in. w.g.) Nat. Gas / LPG/Propane	3.5 / 10.0	3.5 / 10.0	3.5 / 10.0	3.5 / 10.0
High Static - in. w.g.		0.50	0.50	0.50	0.50
Connections in.	Flue connection - in. round	4	4	4	4
	Gas pipe size IPS	1/2	1/2	1/2	1/2
Indoor Blower	Wheel nom. dia. x width - in.	10 x 10	10 x 10	11-1/2 x 10	11 x 11
	Motor output - hp	1/2	1/2	1	1
	Tons of add-on cooling	3 - 4	3 - 4	4 - 5	4 - 5
	Air Volume Range - cfm	920 - 2160	910 - 2170	1355 - 2715	1380 - 2810
Electrical Data	Voltage	120 volts - 60 hertz - 1 phase			
	Blower motor full load amps	8.2	8.2	10	11.5
	Maximum overcurrent protection	15	15	15	15
Shipping Data	lbs. - 1 package	183	151	161	174

NOTE - Filters and provisions for mounting are not furnished and must be field provided.

¹ Annual Fuel Utilization Efficiency based on DOE test procedures and according to FTC labeling regulations. Isolated combustion system rating for non-weatherized furnaces.



NOTE - Due to Lennox' ongoing commitment to quality, Specifications, Ratings and Dimensions subject to change without notice and without incurring liability. Improper installation, adjustment, alteration, service or maintenance can cause property damage or personal injury. Installation and service must be performed by a qualified installer and servicing agency.



PRODUCT CATALOG

**GAS FURNACES
ML180DF
MERIT® SERIES**

Downflow
AFUE - 80%
Input - 44,000 to 110,000 Btuh

Page 57
January 2016
Supersedes June 2015

NOTE - Not Available In Canada!

FEATURES

Heating System

- Lennox Designed Aluminized Steel Heat Exchanger Assembly
- Aluminized Steel Inshot Burners
- Gas Control Valve with 100% Safety Shutoff
- Flame Rollout Switch
- Hot Surface Silicone Nitride Ignitor
- Combustion Air Inducer
- Limit Controls

Controls

- Integrated Furnace Control
- Built-in Twinning Capability
- 24 Volt Transformer
- Field Wiring Make-up Box

Blower

- Multi-Speed, Direct Drive Blower

Cabinet

- Downflow applications
- Pre-painted cabinet finish
- Foil-faced insulation on sides and back of heating compartment.

Coil Match-up

CR33 downflow indoor coils will physically match the furnace supply air opening with the same letter designation in the model number.



ACCESSORIES

See page 59

Cabinet

- Downflow Combustible Flooring Base

Controls

- Thermostat

Filters

- Downflow Filter Kits

Gas Heating

- Gas Conversion Kits
- High Altitude Pressure Switch Kits

Service Kits

- Night Service Kit
- Universal Service Kit - Switches

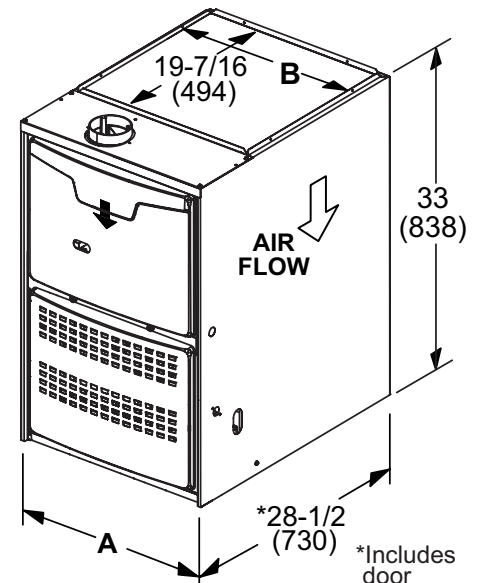
LIMITED WARRANTY

Heat Exchanger - twenty years
All other covered components - five years

Refer to Lennox Equipment Limited Warranty certificate included with equipment for details

Furnace Width	"A"	"B"	"C"
A Dimension	14-1/2 (368)	17-1/2 (446)	21 (533)
B Dimension	13-3/8 (340)	16-3/8 (416)	19-7/8 (454)
Bottom Width return	13 (330)	16 (406)	19-1/2 (495)
Depth	19-1/4 (489)	19-1/4 (489)	19-1/4 (489)

DIMENSIONS



NOTE - Due to Lennox' ongoing commitment to quality, Specifications, Ratings and Dimensions subject to change without notice and without incurring liability. Improper installation, adjustment, alteration, service or maintenance can cause property damage or personal injury. Installation and service must be performed by a qualified installer and servicing agency.

SPECIFICATIONS

Gas Heating Performance		Model No. Model No. - Low NO _x	ML180DF045P24A - - -	ML180DF045P36A - - -	ML180DF070P36A ML180DF070XP36A
		¹ AFUE	80%	80%	80%
		Input - Btuh	44,000	44,000	66,000
		Output - Btuh	35,000	36,000	53,000
		Temperature rise range - °F	25 - 55	15 - 45	25 - 55
		Gas Manifold Pressure (in. w.g.) Nat. Gas / LPG/Propane	3.5 / 10.0	3.5 / 10.0	3.5 / 10.0
High Static - in. w.g.			0.50	0.50	0.50
Connections in.	Flue connection - in. round		4	4	4
	Gas pipe size IPS		1/2	1/2	1/2
Indoor Blower	Wheel nom. dia. x width - in.		10 x 7	10 x 8	10 x 8
	Motor output - hp		1/5	1/3	1/3
	Tons of add-on cooling		1.5 - 2	2 - 3	2 - 3
	Air Volume Range - cfm		401 - 1157	739 - 1524	717 - 1562
Electrical Data	Voltage		120 volts - 60 hertz - 1 phase		
	Blower motor full load amps		3.1	6.1	6.1
	Maximum overcurrent protection		15	15	15
Shipping Data	lbs. - 1 package		105	113	128

NOTE - Filters and provisions for mounting are not furnished and must be field provided.

¹ Annual Fuel Utilization Efficiency based on DOE test procedures and according to FTC labeling regulations. Isolated combustion system rating for non-weatherized furnaces.**SPECIFICATIONS**

Gas Heating Performance		Model No. Model No. - Low NO _x	ML180DF090P36B - - -	ML180DF090P48B ML180DF090XP48B	ML180DF110P60C ML180DF110XP60C
		¹ AFUE	80%	80%	80%
		Input - Btuh	88,000	88,000	110,000
		Output - Btuh	71,000	71,000	89,000
		Temperature rise range - °F	35 - 65	25 - 55	30 - 60
		Gas Manifold Pressure (in. w.g.) Nat. Gas / LPG/Propane	3.5 / 10.0	3.5 / 10.0	3.5 / 10.0
High Static - in. w.g.			0.50	0.50	0.50
Connections in.	Flue connection - in. round		4	4	4
	Gas pipe size IPS		1/2	1/2	1/2
Indoor Blower	Wheel nom. dia. x width - in.		10 x 9	10 x 10	11-1/2 x 10
	Motor output - hp		1/3	1/2	1
	Tons of add-on cooling		2 - 3	3 - 4	4 - 5
	Air Volume Range - cfm		743 - 1695	917 - 1929	1517 - 2760
Electrical Data	Voltage		120 volts - 60 hertz - 1 phase		
	Blower motor full load amps		6.1	8.2	10.0
	Maximum overcurrent protection		15	15	15
Shipping Data	lbs. - 1 package		131	140	160

NOTE - Filters and provisions for mounting are not furnished and must be field provided.

¹ Annual Fuel Utilization Efficiency based on DOE test procedures and according to FTC labeling regulations. Isolated combustion system rating for non-weatherized furnaces.

NOTE - Due to Lennox' ongoing commitment to quality, Specifications, Ratings and Dimensions subject to change without notice and without incurring liability. Improper installation, adjustment, alteration, service or maintenance can cause property damage or personal injury. Installation and service must be performed by a qualified installer and servicing agency.



ML180UH, ML180DF - OPTIONAL ACCESSORIES

PRODUCT CATALOG

Page 59
January 2016
Supersedes June 2015

OPTIONAL ACCESSORIES - ORDER SEPARATELY

	"A" Width	"B" Width	"C" Width	"D" Width	
CABINET ACCESSORIES					
Downflow Combustible Flooring Base - Downflow only	11M59	11M60	11M61	- - -	
Horizontal Suspension Kit - Horizontal only	51W10	51W10	51W10	51W10	
Return Air Base - Upflow only	65W75	50W98	50W99	51W00	
DOWNFLOW FILTER KITS					
Downflow Filter Cabinet	51W06	51W07	51W08	- - -	
¹ No. and size of filter - in.	(1) 20 x 20 x 1	(2) 16 x 20 x 1	(2) 16 x 20 x 1	- - -	
SERVICE KITS					
Night Service Kit	68W80	68W80	68W80	68W80	
Universal Service Kit - Switches	89W19	89W19	89W19	89W19	
UPFLOW/HORIZONTAL FILTER KITS					
¹ Air Filter and Rack Kit	Horizontal (end)	87L95	87L96	87L97	87L98
	Size of filter - in.	14 x 25 x 1	18 x 25 x 1	20 x 25 x 1	25 x 25 x 1
	Side Return	44J22	44J22	44J22	44J22
	Single	66K63	66K63	66K63	66K63
	Ten Pack	66K63	66K63	66K63	66K63
	Size of filter - in.	16 x 25 x 1	16 x 25 x 1	16 x 25 x 1	16 x 25 x 1
VENTING					
Vent Adaptor - 6 in. connection size upflow applications only	18M79	18M79	18M79	18M79	

¹ Cleanable frame type filter.

GAS HEAT ACCESSORIES

Input	High Altitude Pressure Switch Kit			Natural Gas to LPG/Propane Kit		LPG/Propane to Natural Gas Kit	Natural Gas High Altitude Orifice Kit
	0 - 4500 ft.	4501 - 7500 ft.	7501 - 10,000 ft.	0 - 7500 ft.	7501 - 10,000 ft.	0 - 7500 ft.	7501 - 10,000 ft.
045	No Change	80W52 (UH) / No Change (DF)	80W51	11K49	76W15	73W81	73W37
070	No Change	80W52	80W51	11K49	76W15	73W81	73W37
090	No Change	80W52 (UH) / No Change (DF)	80W51	11K49	76W15	73W81	73W37
090X	No Change	80W52	80W51	11K49	76W15	73W81	73W37
110	No Change	80W57 (UH) / 80W52 (DF)	80W52	11K49	76W15	73W81	73W37
135	No Change	80W52	80W51	11K49	76W15	73W81	73W37

NOTE - Due to Lennox' ongoing commitment to quality, Specifications, Ratings and Dimensions subject to change without notice and without incurring liability. Improper installation, adjustment, alteration, service or maintenance can cause property damage or personal injury. Installation and service must be performed by a qualified installer and servicing agency.



PRODUCT CATALOG

Horizontal, Low Profile, Gas-Fired Unit Heaters
Steady State Efficiency - Up to 81.0%
Input - 30,000 to 75,000 Btuh

Page 1
 January 2016
 Supersedes June 2015

FEATURES

Heating System

- Aluminized Steel Tubular Heat Exchanger
- Aluminized Steel Inshot Burners
- Limit Control
- 24 volt Gas Control Valve with 100% Safety Shutoff
- Combustion Air Inducer
- Controls
- 24V transformer
- Combination Ignition/Fan Timer Control with LED Diagnostics
- Electronic Direct Spark Ignition
- Electronic Flame Sensor Control

Fan

Efficient, quiet operating, propeller-type, direct drive fan.

Cabinet

- Low Profile
- Heavy gauge painted steel
- Insulated Cabinet
- Adjustable Louvers
- Wiring Junction Box
- Terminal strip
- Hanging Brackets



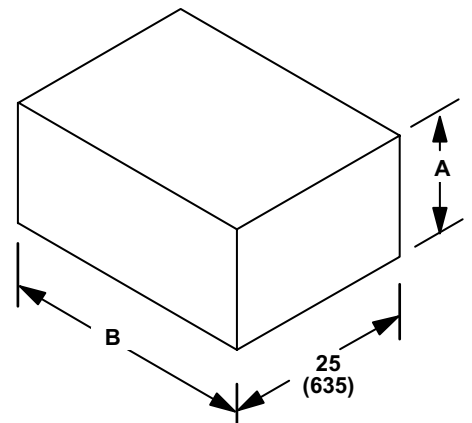
ACCESSORIES

- LPG/Propane Conversion Kit
- Thermostat

LIMITED WARRANTY

Aluminized Steel Heat Exchanger - ten years
 All other covered components - five years
 Refer to Lennox Equipment Limited Warranty certificate included with equipment for details

DIMENSIONS



Model No.	LF24-30A LF24-45A	LF24-60A LF24-75A
A	13 (330)	18 (457)
B (overall)	24 (610)	25 (635)

NOTE – Due to Lennox’ ongoing commitment to quality, Specifications, Ratings and Dimensions subject to change without notice and without incurring liability. Improper installation, adjustment, alteration, service or maintenance can cause property damage or personal injury. Installation and service must be performed by a qualified installer and servicing agency.

SPECIFICATIONS

Gas	Model No.	LF24-30A	LF24-45A	LF24-60A	LF24-75A
Heating Performance	Heating Capacity Input - Btuh	30,000	45,000	60,000	75,000
	Heating Capacity Output - Btuh	24,300	36,500	48,000	60,000
	Steady State Efficiency	81.0%	81.0%	80.0%	80.0%
	Temperature rise - °F	42	45	55	60
Connections in.	Flue size (round)	¹ 3	¹ 3	² 4	² 4
	Gas Piping Size	1/2	1/2	1/2	1/2
Fan Data	Number of fans	1	1	1	1
	Fan Diameter - in.	10	10	14	14
	Number of blades	4	4	3	3
	Motor Output - hp	1/20	1/20	1/8	1/8
	Amps	1.7	1.7	4.1	4.1
	rpm	1650	1650	1050	1050
	Air Volume - cfm	535	750	830	950
Air throw at 8 ft. mounting height - ft.		25	25	40	40
Electrical Characteristics		115 volts - 60 hertz - 1 phase			
Shipping Weight - lbs. 1 package		60	63	87	91

OPTIONAL ACCESSORIES - ORDER SEPARATELY

LPG/Propane Kit	20L05	20L05	20L05	20L05
-----------------	-------	-------	-------	-------

NOTE - Transitions are furnished for flue connection to unit combustion air inducer outlet.

¹ 2-1/8 in. (unit) x 3 in. (flue) diameter transition is furnished with unit for flue connection

² 2 in. (unit) x 4 in. (flue) diameter transition is furnished with unit for flue connection.

HORIZONTAL VENT KITS AND ELBOW

REQUIRED FOR RESIDENTIAL HORIZONTAL VENTING APPLICATIONS

Unit Heater Model No.	Vent Diameter (in.)	Upslope Vent Kit	Catalog No.	Downslope Vent Kit	Catalog No.	45° Elbow	Catalog No.	90° Elbow	Catalog No.	¹ Minimum Vent Length (ft.)
LF24-30 LF24-45	3	C5VENT3KU	75W62	C5VENT3KD	75W66	C5VENT3E45 (Optional)	87W79	C5VENT3E (Optional)	75W70	5
LF24-60 LF24-75	4	C5VENT4KU	75W63	C5VENT4KD	75W67	C5VENT4E45 (Optional)	87W80	C5VENT4E (Optional)	75W71	5

¹ Length does not include termination (or elbow if used).

STRAIGHT VENT PIPE - FOR HORIZONTAL VENTING

Unit Heater	Model No.	Vent Diameter (in.)	Length (in.)	Catalog No.
LF24-30	C5VENT3P6	3	6	75W74
LF24-45	C5VENT3P12	3	12	75W75
	C5VENT3P36	3	36	75W76
LF24-60	C5VENT4P6	4	6	75W77
LF24-75	C5VENT4P12	4	12	75W78
	C5VENT4P36	4	36	75W79



NOTE - Due to Lennox' ongoing commitment to quality, Specifications, Ratings and Dimensions subject to change without notice and without incurring liability. Improper installation, adjustment, alteration, service or maintenance can cause property damage or personal injury. Installation and service must be performed by a qualified installer and servicing agency.



PRODUCT CATALOG

**OIL FURNACES
SLO185UFV**

DAVE LENNOX SIGNATURE® COLLECTION

Upflow - Variable Speed Blower - SilentComfort™ Technology
AFUE - Up to 87%
Input - 79,000 to 141,000 Btuh

Page 1
January 2016
Supersedes June 2015

FEATURES

Heating System

- Beckett™ NX Oil Burner
- Advanced Air Tube Technology
- EZ Clean Heat Exchanger
- Alumina Silica Ceramic Fiber Combustion Chamber
- Flame Inspection Tube
- Barometric Draft Control
- Limit Control

Controls

- Advanced Burner Control controls oil burner motor and igniter
- Cadmium Sulfide Cell Flame Detector
- 120VAC Primary Safety Control
- Electronic Blower Control
- 24V Transformer

Variable-Speed Blower Motor

- High efficiency, variable speed ECM (Electronically Commutated Motor)
- Maintains specified air volumes up to a maximum of 0.8 in. w.g. total external static.

Cabinet

- Upflow applications
- Pre-painted cabinet finish
- Heating section is insulated with foil faced insulation
- Insulated blower compartment
- Top or Side Flue Pipe Connection



ACCESSORIES

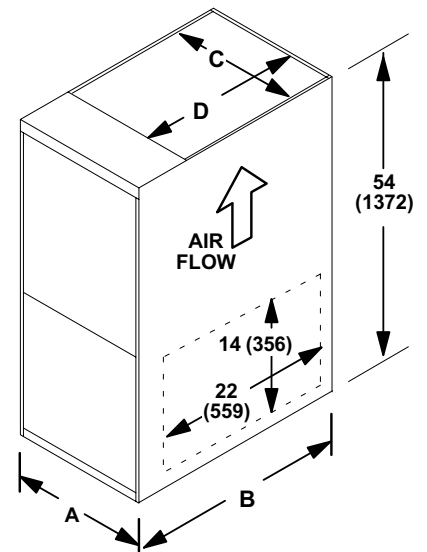
- Oil Filter
- Two-Stage Oil Pump
- Thermostat
- ComfortSense® 7500 Thermostat
- Air Intake Kit

LIMITED WARRANTY

Heat Exchanger - lifetime
All other covered components - ten years
Refer to Lennox Equipment Limited Warranty certificate included with equipment for details

		79/105	124/141
A		19-1/2 (495)	22-1/2 (572)
	B	30-5/8 (778)	33-1/8 (841)
C		18 (457)	21 (533)
	D	19-5/8 (498)	22-1/8 (562)
Bottom return	Width	16 (406)	18 (457)
	Depth	22 (559)	22 (559)

DIMENSIONS



NOTE - Due to Lennox' ongoing commitment to quality, Specifications, Ratings and Dimensions subject to change without notice and without incurring liability. Improper installation, adjustment, alteration, service or maintenance can cause property damage or personal injury. Installation and service must be performed by a qualified installer and servicing agency.

SPECIFICATIONS

		Model Number	SLO185UF79/105V42	SLO185UF124/141V60
Oil Heating Performance	Input - Btuh	Low Fire	79,000	124,000
		¹ High Fire	105,000	141,000
	Output - Btuh	Low Fire	67,000	104,000
		¹ High Fire	87,000	118,000
		² AFUE - Low Fire	86%	87%
		² AFUE - High Fire	85%	85%
		Flue Size Diameter - in.	6	6
		Temperature rise range	50 - 80°F	60 - 85°F
Oil Burner	Nozzle rating - US gph	Low Fire	.50	.75
		¹ High Fire	.65	.85
		Nozzle spray angle	60° hollow	60° hollow
		Oil Burner Pump	1 Stage	1 Stage
		Oil Burner Pump Pressure - psig	150	145
		Air Inlet Connection (diameter) - in.	4	4
Indoor Blower		Blower Motor Output - hp	1/2	3/4
		Nominal add-on cooling - Tons	2.5 thru 4	3 thru 5
		Blower wheel nom. diameter x width - in.	10 x 10	12 x 11
Shipping weight - lbs. 1 package			250	270
Electrical		Characteristics	120V-60hz-1ph	120V-60hz-1ph
		Maximum time delay breaker or fuse size	15 Amps	15 Amps
OPTIONAL ACCESSORIES - ORDER SEPARATELY				
Air Intake Kit			11F44	11F44
ComfortSense® 7500 Thermostat			13H14	13H14
Remote Outdoor Temperature Sensor (for dual fuel and Humiditrol® control)			X2658	X2658
Oil Filters		10 micron without mounting bracket	81P89	81P89
		10 micron with mounting bracket	53P92	53P92
		Replacement cartridge - 10 micron, 45 gph	53P93	53P93
		Filter restriction indicator gauge	53P90	53P90
Two-Stage Oil Pump			65A44	65A44

¹ Nozzle is furnished for field conversion to higher heating input.

² Annual Fuel Utilization Efficiency based on U.S. DOE test procedures and FTC labeling regulations. Isolated combustion system rating for non-weatherized furnaces.





PRODUCT CATALOG

**OIL FURNACES
SLO185BV**

DAVE LENNOX SIGNATURE® COLLECTION

Lo-Boy - Variable Speed Blower - SilentComfort™ Technology
AFUE - Up to 87%
Input - 79,000 to 141,000 Btuh

Page 3
January 2016
Supersedes June 2015

FEATURES

Heating System

- Beckett™ NX Oil Burner
- Advanced Air Tube Technology
- EZ Clean Heat Exchanger
- Alumina Silica Ceramic Fiber Combustion Chamber
- Flame Inspection Tube
- Barometric Draft Control
- Limit Control

Controls

- Advanced Burner Control controls oil burner motor and igniter
- Cadmium Sulfide Cell Flame Detector
- 120VAC Primary Safety Control
- Electronic Blower Control
- 24V Transformer

Variable-Speed Blower Motor

- High efficiency, variable speed ECM (Electronically Commutated Motor)
- Maintains specified air volumes up to a maximum of 0.8 in. w.g. total external static.

Cabinet

- Lo-boy applications
- Pre-painted cabinet finish
- Heating section is insulated with foil faced insulation.
- Insulated Blower Compartment
- Top or Side Flue Pipe Connection

Air Filters

- Large, cleanable frame-type filter



ACCESSORIES

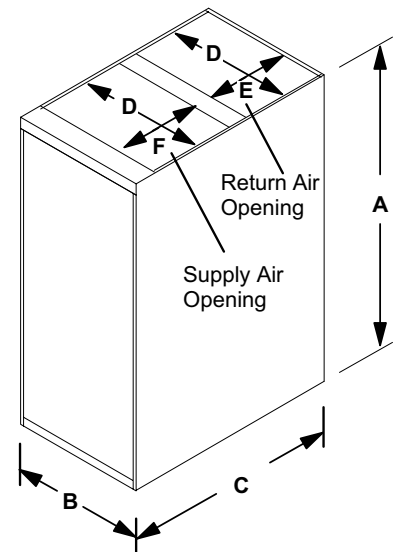
- Oil Filter
- Two-Stage Oil Pump
- Thermostat
- ComfortSense® 7500 Thermostat
- Air Intake Kit

LIMITED WARRANTY

Heat Exchanger - lifetime
All other covered components - ten years
Refer to Lennox Equipment Limited Warranty certificate included with equipment for details

	79/105	124/141
A	37 (940)	37 (940)
B	19-1/2 (495)	22-1/2 (572)
C	52 (1321)	52 (1321)
D	18 (457)	21 (533)
E	16 (406)	16 (406)
F	21 (533)	21 (533)

DIMENSIONS



NOTE - Due to Lennox' ongoing commitment to quality, Specifications, Ratings and Dimensions subject to change without notice and without incurring liability. Improper installation, adjustment, alteration, service or maintenance can cause property damage or personal injury. Installation and service must be performed by a qualified installer and servicing agency.

SPECIFICATIONS

Oil Heating Performance	Model Number	Front Flue Rear Flue	SLO185BF79/105V42	SLO185BF124/141V60
			SLO185BR79/105V42	SLO185BR124/141V60
Input - Btuh		Low Fire	79,000	124,000
		¹ High Fire	105,000	141,000
Output - Btuh		Low Fire	67,000	104,000
		¹ High Fire	87,000	118,000
		² AFUE - Low Fire Front Flue	86%	85%
		² AFUE - High Fire Front Flue	85%	85%
		² AFUE - Low Fire Rear Flue	87%	85%
		² AFUE - High Fire Rear Flue	85%	85%
		Flue Size Diameter - in.	6	6
		Temperature rise range	50 - 80°F	45 - 70°F Front Flue 50 - 80°F Rear Flue
Oil Burner	Nozzle rating - US gph	Low Fire	.50	.75
		¹ High Fire	.65	.85
		Nozzle spray angle	60° hollow	60° hollow
		Oil Burner Pump	1 Stage	1 Stage
		Oil Burner Pump Pressure - psig	150	145
Indoor Blower	Blower Motor Output - hp		1/2	1
		Nominal add-on cooling - Tons	2.5 thru 4	3 thru 5
		Blower wheel nom. diameter x width - in.	10 x 9	12 x 10
³ Filter		Number of filters	1	1
		Size of filters - in.	18 x 19 x 1	19 x 21 x 1
Shipping weight - lbs. 1 package			225 (Front Flue) 230 (Rear Flue)	270
Electrical	Characteristics		120V-60hz-1ph	120V-60hz-1ph
		Maximum Overcurrent Protection (amps)	15	15

OPTIONAL ACCESSORIES - ORDER SEPARATELY

Air Intake Kit		11F44	11F44
ComfortSense® 7500 Thermostat		13H14	13H14
Remote Outdoor Temperature Sensor (for dual fuel and Humiditrol® control)		X2658	X2658
Oil Filters	10 micron without mounting bracket	81P89	81P89
	10 micron with mounting bracket	53P92	53P92
	Replacement cartridge - 10 micron, 45 gph	53P93	53P93
	Filter restriction indicator gauge	53P90	53P90
Two-Stage Oil Pump	without solenoid	65A44	65A44
	with solenoid	71M18	71M18

¹ Nozzle is furnished for field conversion to higher heating input.

² Annual Fuel Utilization Efficiency based on U.S. DOE test procedures and FTC labeling regulations. Isolated combustion system rating for non-weatherized furnaces.

³ Cleanable flame type filters furnished.





PRODUCT CATALOG

**OIL FURNACES
ELO183UF
ELITE® SERIES**

Upflow
AFUE - Up to 84%
Input - 68,000 to 154,000 Btuh

Page 5
January 2016
Supersedes June 2015

FEATURES

Heating System

- Beckett™ Flame-Retention AFG Oil Burner
- EZ Clean Heat Exchanger
- Alumina Silica Ceramic Fiber Combustion Chamber
- Flame Inspection Tube
- Barometric Draft Control

Controls

- Advanced Burner Control controls oil burner motor and igniter
- Cadmium Sulfide Cell Flame Detector
- Primary Safety Control
- Fan and Limit Control
- Terminal Strip
- Blower Cooling Relay
- 24V Transformer

Blower

- Multi-Speed, Direct Drive Blower

Cabinet

- Upflow applications
- Pre-painted cabinet finish
- Heating section is insulated with foil faced insulation
- Insulated blower compartment
- Top or Side Flue Pipe Connection



ACCESSORIES

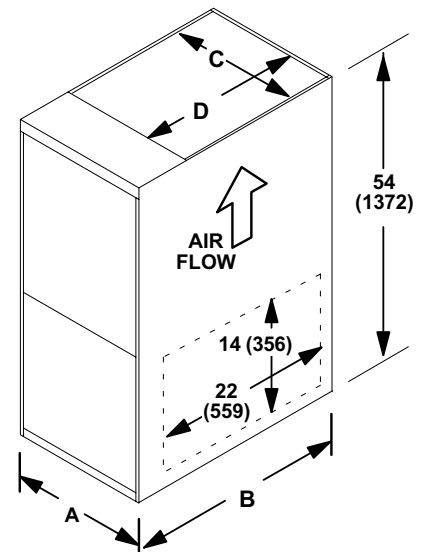
- Oil Filter
- Two-Stage Oil Pump
- Thermostat

LIMITED WARRANTY

Heat Exchanger - lifetime
All other covered components - five years
Refer to Lennox Equipment Limited Warranty certificate included with equipment for details

		68/86 101/114	135/150
A		19-1/2 (495)	22-1/2 (572)
	B	30-5/8 (778)	33-1/8 (841)
C		18 (457)	21 (533)
D		19-5/8 (498)	22-1/8 (562)
Bottom return	Width	16 (406)	18 (457)
	Depth	22 (559)	22 (559)

DIMENSIONS



NOTE - Due to Lennox' ongoing commitment to quality, Specifications, Ratings and Dimensions subject to change without notice and without incurring liability. Improper installation, adjustment, alteration, service or maintenance can cause property damage or personal injury. Installation and service must be performed by a qualified installer and servicing agency.

SPECIFICATIONS

		Model Number	ELO183UF68/86P36	ELO183UF101/114P48	ELO183UF135/150P60
Oil Heating Performance	Input - Btuh	Low Fire	67,500	101,000	135,000
		¹ High Fire	85,500	113,500	151,000
	Output - Btuh	Low Fire	57,000	84,000	113,000
		¹ High Fire	72,000	95,000	126,000
		² AFUE	84%	83%	83%
		Flue Size Diameter - in.	6	6	6
		Temperature rise range	50 - 80°F	50 - 80°F	55 - 85°F
Oil Burner	Nozzle rating - US gph	Low Fire	.50	.65	.85
		¹ High Fire	.65	.75	1.00
	Nozzle spray angle	Low Fire	80° hollow	80° solid	80°B solid
		¹ High Fire	80° solid	80° solid	80° solid
		Oil Burner Pump	1 Stage	1 Stage	1 Stage
		Oil Burner Pump Pressure - psig	100	140	140
		Air Inlet Connection (diameter) - in.	4	4	4
Indoor Blower	Blower Motor Output - hp	1/2	1/2	3/4	
	Nominal add-on cooling - Tons	1.5 thru 3	2 thru 3.5	3 to 5	
	Blower wheel nom. diameter x width - in.	10 x 8	10 x 10	12 x 11	
	Air Volume Range - cfm	605 - 1410	690 - 1755	1110 - 2090	
Shipping weight - lbs. 1 package		230	250	270	
Electrical	Characteristics	120V-60hz-1ph	120V-60hz-1ph	120V-60hz-1ph	
	Maximum Overcurrent Protection (amps)	15	15	15	
OPTIONAL ACCESSORIES - ORDER SEPARATELY					
Combustion Air Boot (4 in. diameter)		83W32	83W32	83W32	
Oil Filters	10 micron without mounting bracket	81P89	81P89	81P89	
	10 micron with mounting bracket	53P92	53P92	53P92	
	Replacement cartridge - 10 micron, 45 gph	53P93	53P93	53P93	
	Filter restriction indicator gauge	53P90	53P90	53P90	
Two-Stage Oil Pump	without solenoid	65A44	65A44	65A44	
	with solenoid	71M18	71M18	71M18	

¹ Nozzle must be field provided for field conversion to higher heating input.

² Annual Fuel Utilization Efficiency based on U.S. DOE test procedures and FTC labeling regulations. Isolated combustion system rating for non-weatherized furnaces.



NOTE - Due to Lennox' ongoing commitment to quality, Specifications, Ratings and Dimensions subject to change without notice and without incurring liability. Improper installation, adjustment, alteration, service or maintenance can cause property damage or personal injury. Installation and service must be performed by a qualified installer and servicing agency.



PRODUCT CATALOG

**OIL FURNACES
ELO183B
ELITE® SERIES**

Lo-Boy
AFUE - 83%
Input - 101,000 to 154,000 Btuh

Page 7
January 2016
Supersedes June 2015

FEATURES

Heating System

- Beckett™ Flame-Retention AFG Oil Burner
- EZ Clean Heat Exchanger
- Alumina Silica Ceramic Fiber Combustion Chamber
- Flame Inspection Tube
- Barometric Draft Control

Controls

- Advanced Burner Control controls oil burner motor and igniter
- Cadmium Sulfide Cell Flame Detector
- Primary Safety Control
- Fan and Limit Control
- Terminal Strip
- Blower Cooling Relay
- 24V Transformer

Blower

- Multi-Speed, Direct Drive Blower

Cabinet

- Lo-boy applications
- Pre-painted cabinet finish
- Heating section is insulated with foil faced insulation.
- Insulated Blower Compartment
- Top or Side Flue Pipe Connection

Air Filters

- Large, cleanable frame-type filter



ACCESSORIES

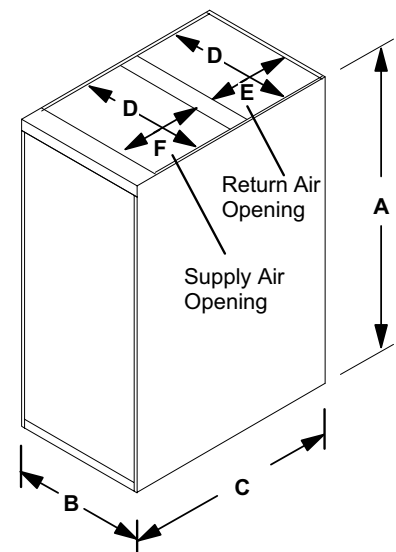
- Oil Filter
- Two-Stage Oil Pump
- Thermostat

LIMITED WARRANTY

Heat Exchanger - lifetime
All other covered components - five years
Refer to Lennox Equipment Limited Warranty certificate included with equipment for details

	101/114	135/150
A	37 (940)	37 (940)
B	19-1/2 (495)	22-1/2 (572)
C	52 (1321)	52 (1321)
D	18 (457)	21 (533)
E	16 (406)	16 (406)
F	21 (533)	21 (533)

DIMENSIONS



NOTE - Due to Lennox' ongoing commitment to quality, Specifications, Ratings and Dimensions subject to change without notice and without incurring liability. Improper installation, adjustment, alteration, service or maintenance can cause property damage or personal injury. Installation and service must be performed by a qualified installer and servicing agency.

SPECIFICATIONS

Oil Heating Performance	Model Number	Front Flue Rear Flue	ELO183BF101/114P48	ELO183BF135/150P60
			ELO183BR101/114P48	ELO183BR135/150P60
	Input - Btuh	Low Fire	101,000	134,000
		¹ High Fire	113,500	151,000
	Output - Btuh	Low Fire	85,000	113,000
		¹ High Fire	95,000	127,000
		² AFUE	83%	83%
		Flue Size Diameter - in.	6	6
		Temperature rise range	45 - 75°F	45 - 75°F
Oil Burner	Nozzle rating - US gph	Low Fire	.65	.85
		¹ High Fire	.75	1.00
	Nozzle spray angle	80° solid	80° solid	
	Oil Burner Pump	1 Stage	1 Stage	
	Oil Burner Pump Pressure - psig	140	140	
	Air Inlet Connection (diameter) - in.	4	4	
	Indoor Blower	Blower Motor Output - hp	1/2	3/4
Nominal add-on cooling - Tons		2.5 thru 4	3 to 5	
Blower wheel nom. diameter x width - in.		10 x 9	12 x 10	
Air Volume Range - cfm		650 - 1760	1225 - 2360	
³ Filter	Number of filters	1	1	
	Size of filters - in.	18 x 19 x 1	19 x 21 x 1	
Shipping weight - lbs. 1 package			225 Front Flue / 230 Rear Flue	270
Electrical	Characteristics		120V-60hz-1ph	120V-60hz-1ph
	Maximum Overcurrent Protection (amps)		15	15

OPTIONAL ACCESSORIES - ORDER SEPARATELY

Combustion Air Boot (4 in. diameter)		83W32	83W32
Oil Filters	10 micron without mounting bracket	81P89	81P89
	10 micron with mounting bracket	53P92	53P92
	Replacement cartridge - 10 micron, 45 gph	53P93	53P93
	Filter restriction indicator gauge	53P90	53P90
Two-Stage Oil Pump	without solenoid	65A44	65A44
	with solenoid	71M18	71M18

¹ Nozzle must be field provided for field conversion to higher heating input.² Annual Fuel Utilization Efficiency based on U.S. DOE test procedures and FTC labeling regulations. Isolated combustion system rating for non-weatherized furnaces.³ Cleanable flame type filters furnished.



PRODUCT CATALOG

**OIL FURNACES
ELO183DH
ELITE® SERIES**

Horizontal / Downflow
AFUE - 83%
Input - 101,000 to 154,000 Btuh

Page 9
January 2016
Supersedes June 2015

FEATURES

Heating System

- Beckett™ Flame-Retention AFG Oil Burner
- EZ Clean Heat Exchanger
- Alumina Silica Ceramic Fiber Combustion Chamber
- Flame Inspection Tube
- Barometric Draft Control

Controls

- Advanced Burner Control controls oil burner motor and igniter
- Cadmium Sulfide Cell Flame Detector
- Primary Safety Control
- Fan and Limit Control
- Terminal Strip
- Blower Cooling Relay
- 24V Transformer

Blower

Multi-speed, direct-drive blower

Cabinet

- Pre-painted cabinet finish
- Heating section is insulated with foil faced insulation.
- Insulated Blower Compartment
- Front Flue Pipe Connection



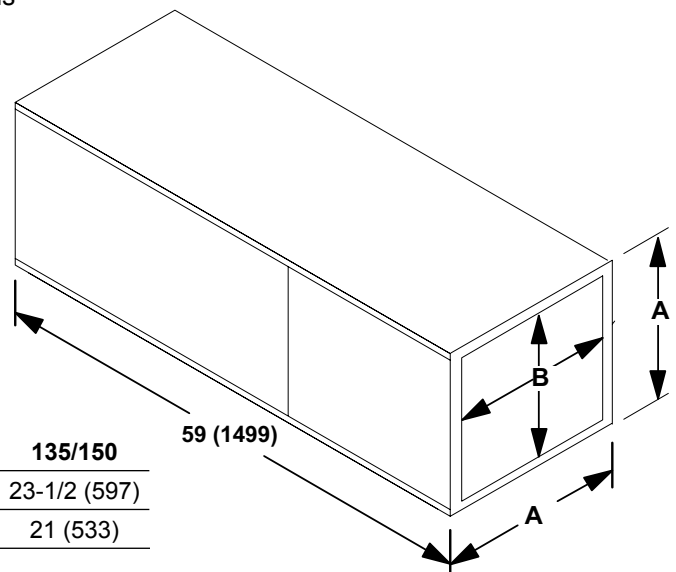
ACCESSORIES

- Downflow Combustible Floor Base
- Filter Kits
- Oil Filter
- Two-Stage Oil Pump
- Thermostat

LIMITED WARRANTY

Heat Exchanger - lifetime
All other covered components - five years
Refer to Lennox Equipment Limited Warranty certificate included with equipment for details

DIMENSIONS



Model No.	101/114	135/150
A	20-1/2 (521)	23-1/2 (597)
B	18 (457)	21 (533)

NOTE - Due to Lennox' ongoing commitment to quality, Specifications, Ratings and Dimensions subject to change without notice and without incurring liability. Improper installation, adjustment, alteration, service or maintenance can cause property damage or personal injury. Installation and service must be performed by a qualified installer and servicing agency.

SPECIFICATIONS

		Model Number	ELO183DH101/114P36	ELO183DH135/150P60
Oil Heating Performance	Input - Btuh	Low Fire	101,000	135,000
		¹ High Fire	113,500	135,000
	Output - Btuh	Low Fire	85,000	113,000
		¹ High Fire	95,000	126,000
		² AFUE	83%	83%
		Flue Size Diameter - in.	6	6
	Temperature rise range	45 - 75°F	45 - 75°F	
Oil Burner	Nozzle rating - US gph	Low Fire	.65	.85
		² High Fire	.75	1.00
		Nozzle spray angle	80° solid	80° solid
		Oil Burner Pump	1 Stage	1 Stage
		Oil Burner Pump Pressure - psig	140	140
Indoor Blower		Blower Motor Output - hp	1/2	3/4
		Nominal add-on cooling - Tons	2 to 3	3 to 5
		Blower wheel nom. diameter x width - in.	10 x 10	12 x 9
		Air Volume Range - cfm	545 - 1410	1100 - 2205
Shipping weight - lbs. 1 package			250	270
Electrical	Characteristics		120V-60hz-1ph	120V-60hz-1ph
	Maximum Overcurrent Protection (amps)		15	15

OPTIONAL ACCESSORIES - ORDER SEPARATELY

Downflow Combustible Flooring Base		35K07	35K08
Filter Kit		35K05	35K06
	Number & size of filters - in.	(2) 10-1/4 x 20-1/2 x 1	(2) 11-3/4 x 23-1/2 x 1
Oil Filters	10 micron without mounting bracket	81P89	81P89
	10 micron with mounting bracket	53P92	53P92
	Replacement cartridge - 10 micron, 45 gph	53P93	53P93
	Filter restriction indicator gauge	53P90	53P90
Two-Stage Oil Pump	without solenoid	65A44	65A44
	with solenoid	71M18	71M18

¹ Nozzle must be field provided for field conversion to higher heating input.

² Annual Fuel Utilization Efficiency based on U.S. DOE test procedures and FTC labeling regulations. Isolated combustion system rating for non-weatherized furnaces.



NOTE - Due to Lennox' ongoing commitment to quality, Specifications, Ratings and Dimensions subject to change without notice and without incurring liability. Improper installation, adjustment, alteration, service or maintenance can cause property damage or personal injury. Installation and service must be performed by a qualified installer and servicing agency.



PRODUCT CATALOG

Gas-Fired, Modulating, Condensing, Wall Hung Hot Water Boiler
AFUE - 95%
Input - 50,000 to 200,000 Btuh

Page 1
January 2016
Supersedes June 2015

FEATURES

Heating System

- Direct Vent Sealed Combustion System
- Stainless Steel Helical Heat Exchanger Assembly
- Stainless Steel Mesh Modulating Burner
- Direct Spark Igniter
- Casting Temperature Safety Switch
- 24 Volt Gas Control Valve
- Combustion Air Blower
- CPVC Flue Condensate Collector
- Pressure Relief Valve and Air Vent
- Flame Rollout Switch
- Combination Temperature/Pressure Gauge
- Brass Drain Valve
- Vent Temperature Sensor
- LPG/Propane Kit Furnished
- Integrated Primary/Secondary Piping With Pump
- Circulating Pump

Controls

- Fully Modulating Electronic Control
- User Interface Control
- LCD Display
- Flame Sensor
- Integrated Low Water Cutoff Control
- 24V Transformer
- Supply Water Switch
- Return Water Temperature Sensor
- Terminal Block
- High Voltage Junction Box



Cabinet

- Heavy-gauge steel with baked-on enamel finish.
- Wall Hanging Support Bracket



ACCESSORIES

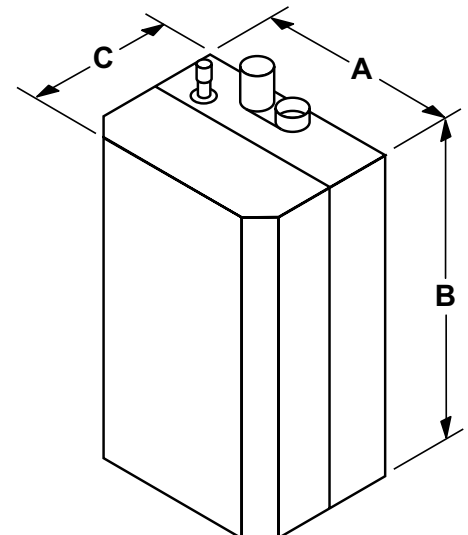
- Concentric Termination Kit
- Thermostat

WARRANTY

Cast Aluminum Boiler Assembly - fifteen years
 All other covered components - ten years
 Refer to Lennox Equipment Limited Warranty certificate included with equipment for details

Model No	A	B	C	D
GWM-050IE	20	31	14	28
GWM-075IE	(508)	(787)	(356)	(711)
GWM-100IE				
GWM-150IE	23	42	16	40
GWM-200IE	(584)	(109)	(406)	(1016)

DIMENSIONS



NOTE - Due to Lennox' ongoing commitment to quality, Specifications, Ratings and Dimensions subject to change without notice and without incurring liability. Improper installation, adjustment, alteration, service or maintenance can cause property damage or personal injury. Installation and service must be performed by a qualified installer and servicing agency.

SPECIFICATIONS

Model No.		GWM-050IE	GWM-075IE	GWM-100IE	GWM-150IE	GWM-200IE
Gas Heating Performance	Heating capacity input Btuh (Maximum)	50,000	75,000	100,000	150,000	200,000
	Btuh (Minimum)	10,000	15,000	20,000	30,000	40,000
	Heating capacity output - Btuh	46,000	69,000	91,000	139,000	185,000
	¹ Net AHRI I=B=R rating - Btuh	40	50	79	121	161
	² AFUE	95%	95%	95%	95%	95%
Connections in.	Flue size diameter (round)	2	2	2	3	3
	Gas piping size	1/2 NPT	1/2 NPT	1/2 NPT	3/4 NPT	3/4 NPT
	Water supply and return size	1-1/4 NPT	1-1/4 NPT	1-1/4 NPT	1-1/4 NPT	1-1/4 NPT
	Drain connection size	3/4 NPT	3/4 NPT	3/4 NPT	3/4 NPT	3/4 NPT
Electrical characteristics	120 volts - 60 hertz - 1 phase (less than 12 amps)					
Shipping Data	lbs. - 1 package	111	111	111	182	182

OPTIONAL ACCESSORIES

Concentric Termination Kit	US - 2 inch	69M29	69M29	69M29	---	---
	3 inch	---	60L46	60L46	60L46	60L46
	Canada - 2 inch	44W92	44W92	44W92	---	---
	3 inch	---	44W93	44W93	44W93	44W93

¹ AHRI I=B=R ratings indicate the amount of equivalent direct radiation each boiler will produce under normal conditions and thermostatic control. Ratings based on an allowance of 1.15 in accordance with the factors shown on the I=B=R Standard as published by The Hydronics Institute. Selection of boiler size should be based on "Net I=B=R Rating" being equal to or greater than the calculated heat loss of the building.

² Heating Capacity and AFUE (Annual Fuel Utilization Efficiency) based on US DOE test procedures and FTC labeling regulations.

NOTE - Termination Kits **44W92**, **44W93** are certified to ULC S636 standard for use in Canada only.





PRODUCT CATALOG

Gas-Fired - Hot Water Boiler
AFUE - 90%
Input - 50,000 to 100,000 Btuh

Page 3
January 2016
Supersedes June 2015

FEATURES

Heating System

- Direct Vent Sealed Combustion System
- Cast Aluminium Boiler Assembly
- Stainless Steel Premix Inshot Burner
- 24 Volt Gas Control Valve
- Hot Surface Igniter
- Induced Draft Blower
- Differential Pressure Air Proving Switch/Blocked Vent Safety Shutoff
- Pressure Relief Valve/Air Vent
- Combination Temperature/Pressure Gauge
- Circulating Pump
- Vent Temperature Safety Switch
- Brass Drain Valve
- Condensate Trap

Controls

- Integrated Boiler Control Module
- Thermal Purge Operation
- Casting Temperature Safety Switch
- Hydrostat Combination High Limit Control / Low Water Cut Off With Boiler Temperature Reset
- Induced Draft Blower Temperature Safety Switch
- 24V Transformer
- Junction Box

Cabinet

Heavy-gauge steel with baked-on enamel finish.



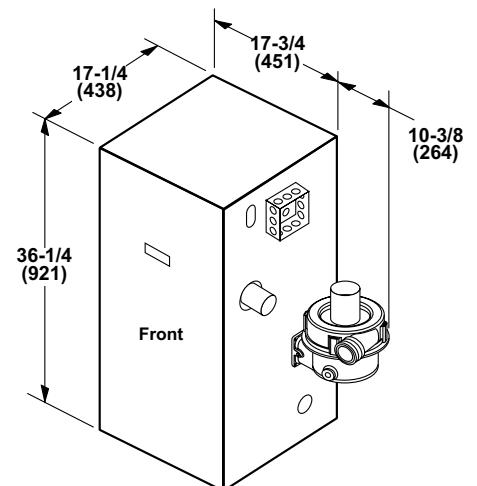
ACCESSORIES

- Concentric Termination Kit
- LPG/Propane Conversion Kit
- Thermostat

WARRANTY

Cast Aluminum Boiler Assembly - fifteen years
All other covered components - ten years
Refer to Lennox Equipment Limited Warranty certificate included with equipment for details

DIMENSIONS



NOTE - Due to Lennox' ongoing commitment to quality, Specifications, Ratings and Dimensions subject to change without notice and without incurring liability. Improper installation, adjustment, alteration, service or maintenance can cause property damage or personal injury. Installation and service must be performed by a qualified installer and servicing agency.

SPECIFICATIONS

Model No.		GWB9-050IH-3	GWB9-075IH-3	GWB9-100IH-3
Gas Heating Performance	Heating capacity input - Btuh	50,000	75,000	100,000
	Heating capacity output - Btuh	45,000	68,000	90,000
	¹ Net AHRI I=B=R rating - Btuh	39,000	59,000	78,000
	² AFUE	90%	90%	90%
Boiler Data	Number of boiler sections	2	2	2
	Boiler capacity	2.6 US gallons	2.6 US gallons	2.6 US gallons
Connections in.	³ Flue size connection diameter - round	2	2	2
	Gas piping size I.P.S.	1/2	1/2	1/2
	Water supply and return connection size	1-1/4 NPT	1-1/4 NPT	1-1/4 NPT
	Drain connection size	3/4 NPT	3/4 NPT	3/4 NPT
Electrical characteristics		120 volts - 60 hertz - 1 phase (less than 12 amps)		
Shipping Data	lbs. - 1 package	220	220	220

OPTIONAL ACCESSORIES

Concentric Vent Kit	US - 2 inch	69M29	69M29	69M29
	3 inch	60L46	60L46	60L46
	Canada - 2 inch	44W92	44W92	44W92
	3 inch	44W93	44W93	44W93
LPG/Propane Conversion Kit	0 - 10,000 ft	75E01	---	10T27
	0 - 5000 ft	---	70E01	---
	5001 - 10,000 ft	---	77E01	---

See Lennox Price Book For Complete Listing of Optional Accessories (Expansion Tanks, Valves, Circulator Pumps, etc.)

¹ AHRI I=B=R ratings indicate the amount of equivalent direct radiation each boiler will produce under normal conditions and thermostatic control. Ratings based on an allowance of 1.15 in accordance with the factors shown on the I=B=R Standard as published by The Hydronics Institute. Selection of boiler size should be based on "Net I=B=R Rating" being equal to or greater than the calculated heat loss of the building.

² Heating Capacity and AFUE (Annual Fuel Utilization Efficiency) based on US DOE test procedures and FTC labeling regulations.

³ CPVC pipe MUST be used in the first five feet. Unit ships with 5 ft. of 2 in. CPVC pipe, one 2 in CPVC coupling, one nipple and one elbow.

NOTE - Termination Kits **44W92**, **44W93** are certified to ULC S636 standard for use in Canada only.





PRODUCT CATALOG

Gas-Fired - Hot Water Boiler
AFUE - Up to 84.4%
Input - 42,000 to 225,000 Btuh

Page 5
January 2016
Supersedes June 2015

FEATURES

Heating System

- Cast Iron Boiler Assembly
- Titanium Burners
- Automatic Gas Control Valve
- Electronic Ignition
- Induced Draft Blower
- Pressure Relief Valve
- Flame Rollout Switch
- Combination Temperature/Pressure Gauge
- Circulating Pump (shipped separately)
- Brass Drain Valve

Controls

- Integrated Boiler Control Module
- Limit Sensor
- Transformer

Cabinet

- Heavy-gauge steel with baked-on enamel finish.
- Fully insulated with fiberglass insulation.



ACCESSORIES

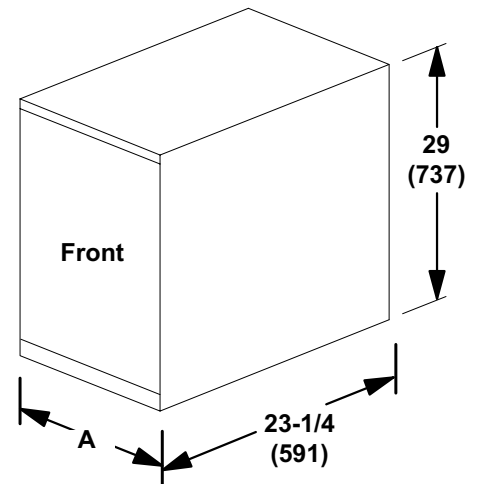
- Combustible Flooring Base
- LPG/Propane Conversion Kit
- Thermostat

WARRANTY

Cast Iron Boiler Assembly -
twenty years
All other covered components -
five years
Refer to Lennox Equipment Limited
Warranty certificate included with
equipment for details

Model No	A	B	C
042IE-2	11 (280)	23-1/4 (591)	29 (737)
075IE-2	14-1/4 (362)	23-1/4 (591)	29 (737)
112IE-2	17-1/2 (445)	23-1/4 (591)	29 (737)
150IE-2	20-3/4 (527)	23-1/4 (591)	29 (737)
187IE-2	24 (610)	23-1/4 (591)	29 (737)
225IE-2	27-1/4 (705)	23-1/4 (591)	29 (737)

DIMENSIONS



NOTE - Due to Lennox' ongoing commitment to quality, Specifications, Ratings and Dimensions subject to change without notice and without incurring liability. Improper installation, adjustment, alteration, service or maintenance can cause property damage or personal injury. Installation and service must be performed by a qualified installer and servicing agency.

SPECIFICATIONS

Model No.		GWB8 -042IE-2	GWB8 -075IE-2	GWB8 -112IE-2	GWB8 -150IE-2	GWB8 -187IE-2	GWB8 -225IE-2	
Gas Heating Performance	Heating capacity input - Btuh	42,500	75,000	112,500	150,000	187,500	225,000	
	Heating capacity output - Btuh	36,000	63,000	94,000	125,000	155,000	186,000	
	¹ Net AHRI I=B=R rating - Btuh	31,000	55,000	82,000	109,000	135,000	162,000	
	² AFUE	84.4%	83.4%	83.0%	82.7%	82.3%	82.0%	
Boiler Data	Number of boiler sections	2	3	4	5	6	7	
	Net boiler heating surface - sq. ft.	4.61	8.17	11.73	15.29	18.85	22.41	
	Boiler capacity - U.S. gallons	1.75	3.00	4.25	5.50	6.75	8.00	
Connections in.	³ Flue Size diameter (round)	Conventional	4	4	4	4	4	
		Horizontal	3	3	3	3	4	4
	Gas piping size I.P.S.	Natural gas	1/2	1/2	1/2	1/2	3/4	3/4
		LPG/Propane	3/4	3/4	3/4	3/4	3/4	3/4
	Water supply and return size	1-1/4 NPT	1-1/4 NPT	1-1/4 NPT	1-1/4 NPT	1-1/4 NPT	1-1/4 NPT	
	Drain connection size	3/4 NPT	3/4 NPT	3/4 NPT	3/4 NPT	3/4 NPT	3/4 NPT	
Electrical characteristics	120 volts - 60 hertz - 1 phase (less than 12 amps)							
Shipping Data	lbs. - 1 package	232	290	355	426	493	569	

OPTIONAL ACCESSORIES

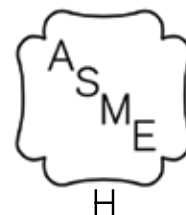
See Lennox Price Book For Complete Listing of Optional Accessories

LPG/Propane Conversion Kit	Standard (0-5000 ft.)	72M81	72M81	72M81	72M81	72M81	72M81
	High Altitude (5000+ ft.)	54L58	54L58	54L58	54L58	54L58	54L58
Combustible Flooring Base		N/A	N/A	N/A	N/A	18P26	18P26
Sidewall Power Venting	Venting Kit	79J15	79J15	79J15	79J15	N/A	N/A

¹ Net AHRI water ratings indicate the amount of equivalent direct radiation each boiler will produce under normal conditions and thermostatic control. Ratings based on an allowance of 1.15 in accordance with the factors shown on the I=B=R Standard as published by The Hydronics Institute. Selection of boiler size should be based on "Net I=B=R Rating" being equal to or greater than the calculated heat loss of the building.

² Annual Fuel Utilization Efficiency based on US DOE test procedures and FTC labeling regulations.

³ 3 in. to 4 in. adaptor furnished for flue connection to induced draft blower.





PRODUCT CATALOG

Gas-Fired - Hot Water Boiler
AFUE - Up to 83.9%
Input - 50,000 to 299,000 Btuh

Page 7
January 2016
Supersedes June 2015

FEATURES

Heating System

- Cast Iron Boiler Assembly
- Stainless Steel Burners (050 to 200 models)
- Titanium Burners (262 and 299 models)
- Automatic Gas Control Valve
- Relief Valve
- Combination Temperature/Pressure Gauge
- Circulating Pump (shipped separately)
- Brass Drain Valve

Venting

- Blocked Vent Shutoff Sensor
- Integral Draft Hood
- Vent Damper

Controls

- Integrated Boiler Control Module
- Electronic Ignition
- Flame Rollout Switch
- Limit Sensor
- Transformer
- Junction Box

Cabinet

- Heavy-gauge steel with baked-on enamel finish.
- Fully insulated with fiberglass insulation.



ACCESSORIES

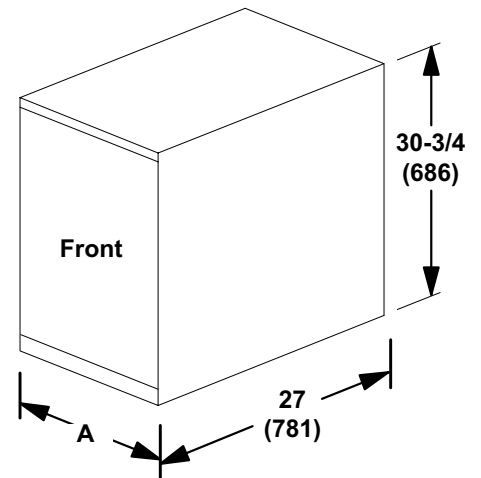
- Combustible Flooring Base
- LPG/Propane Conversion Kit
- Thermostat

WARRANTY

Cast Iron Boiler Assembly -
twenty years
All other covered components -
five years
Refer to Lennox Equipment Limited
Warranty certificate included with
equipment for details

Model No	A
050E-2	11-1/8 (283)
075E-2	15 (381)
100E-2	15 (381)
125E-2	18-7/8 (479)
150E-2	18-7/8 (479)
170E-2	22-3/4 (578)
200E-2	22-3/4 (578)
262E-2	27-1/2 (699)
299E-2	30-3/4 (781)

DIMENSIONS



NOTE - Due to Lennox' ongoing commitment to quality, Specifications, Ratings and Dimensions subject to change without notice and without incurring liability. Improper installation, adjustment, alteration, service or maintenance can cause property damage or personal injury. Installation and service must be performed by a qualified installer and servicing agency.

SPECIFICATIONS

		Model No.	GWB8-050E-2	GWB8-075E-2	GWB8-100E-2	GWB8-125E-2	GWB8-150E-2
Gas Heating Performance	Heating capacity input - Btuh		50,000	75,000	100,000	125,000	150,000
	Heating capacity output - Btuh		42,000	63,000	83,000	104,000	124,000
	¹ Net AHRI I=B=R rating - Btuh		37,000	55,000	72,000	90,000	108,000
	² AFUE		83.5%	83.1%	83.0%	82.0%	83.0%
Boiler Data	Number of boiler sections		1	2	2	3	3
	Boiler capacity - U.S. gallons		2.4	4.0	4.0	5.6	5.6
Connections in.	Flue Size diameter (round)		4	5	6	6	7
	Gas piping size I.P.S.	Natural gas	1/2 NPT	1/2 NPT	1/2 NPT	1/2 NPT	1/2 NPT
		LPG/Propane	1/2 NPT	1/2 NPT	1/2 NPT	1/2 NPT	1/2 NPT
	Water supply and return size		1-1/4 NPT	1-1/4 NPT	1-1/4 NPT	1-1/4 NPT	1-1/4 NPT
	Drain connection size		3/4 NPT	3/4 NPT	3/4 NPT	3/4 NPT	3/4 NPT
Electrical characteristics	120 volts - 60 hertz - 1 phase (less than 12 amps)						
Shipping Data	lbs. - 1 package		205	253	253	315	315

OPTIONAL ACCESSORIES

See Lennox Price Book For Complete Listing of Optional Accessories

LPG/Propane Conversion Kit	68E01	76E01	68E01	71E01	68E01
-----------------------------------	--------------	--------------	--------------	--------------	--------------

¹ Net AHRI water ratings indicate the amount of equivalent direct radiation each boiler will produce under normal conditions and thermostatic control. Ratings based on an allowance of 1.15 in accordance with the factors shown on the I=B=R Standard as published by The Hydronics Institute. Selection of boiler size should be based on "Net I=B=R Rating" being equal to or greater than the calculated heat loss of the building.

² Annual Fuel Utilization Efficiency based on US DOE test procedures and FTC labeling regulations.

SPECIFICATIONS

		Model No.	GWB8-170E-2	GWB8-200E-2	GWB8-262E-2	GWB8-299E-2
Gas Heating Performance	Heating capacity input - Btuh		170,000	200,000	262,000	299,000
	Heating capacity output - Btuh		139,000	165,000	220,000	251,000
	¹ Net I=B=R rating - Btuh		121,000	143,000	191,000	218,000
	² AFUE		82.0%	82.0%	83.9%	83.7%
Boiler Data	Number of boiler sections		4	4	7	8
	Boiler capacity - U.S. gallons		7.2	7.2	12.7	14.4
Connections in.	Flue Size diameter (round)		7	8	7	7
	Gas piping size I.P.S.	Natural gas	1/2 NPT	1/2 NPT	3/4 NPT	3/4 NPT
		LPG/Propane	1/2 NPT	1/2 NPT	1/2 NPT	1/2 NPT
	Water supply and return size		1-1/4 NPT	1-1/4 NPT	1-1/4 NPT	1-1/4 NPT
	Drain connection size		3/4 NPT	3/4 NPT	3/4 NPT	3/4 NPT
Electrical characteristics	120 volts - 60 hertz - 1 phase (less than 12 amps)					
Shipping Data	lbs. - 1 package		377	377	552	616

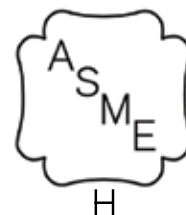
OPTIONAL ACCESSORIES

See Lennox Price Book For Complete Listing of Optional Accessories

LPG/Propane Conversion Kit	71E01	68E01	72E01	74E01
Combustible Flooring Base	18P26	18P26	18P26	18P26

¹ Net AHRI water ratings indicate the amount of equivalent direct radiation each boiler will produce under normal conditions and thermostatic control. Ratings based on an allowance of 1.15 in accordance with the factors shown on the I=B=R Standard as published by The Hydronics Institute. Selection of boiler size should be based on "Net I=B=R Rating" being equal to or greater than the calculated heat loss of the building.

² Annual Fuel Utilization Efficiency based on US DOE test procedures and FTC labeling regulations.



NOTE - Due to Lennox' ongoing commitment to quality, Specifications, Ratings and Dimensions subject to change without notice and without incurring liability. Improper installation, adjustment, alteration, service or maintenance can cause property damage or personal injury. Installation and service must be performed by a qualified installer and servicing agency.



PRODUCT CATALOG

Gas-Fired - Steam Boiler
AFUE - Up to 82.7%
Input - 75,000 to 299,000 Btuh

Page 9
January 2016
Supersedes June 2015

NOTE - Not Available In Canada!

FEATURES

Heating System

- Cast Iron Boiler Sections
- Titanium Burners
- Automatic Gas Control Valve
- Pressure Relief Valve
- Brass Drain Valve
- Steam Pressure Gauge
- Low Water Cut-Off
- Water Level Gauge
- Motorized Vent Damper

Controls

- Electronic Ignition
- Flame Rollout Switch
- Steam Pressure Limit Control
- Low Water Cut-Off
- Transformer
- Wiring Junction Box

Venting

- Blocked Vent Shutoff Sensor
- Vent Damper

Cabinet

- Heavy-gauge steel with baked-on enamel finish.
- Fully insulated with fiberglass insulation.



ACCESSORIES

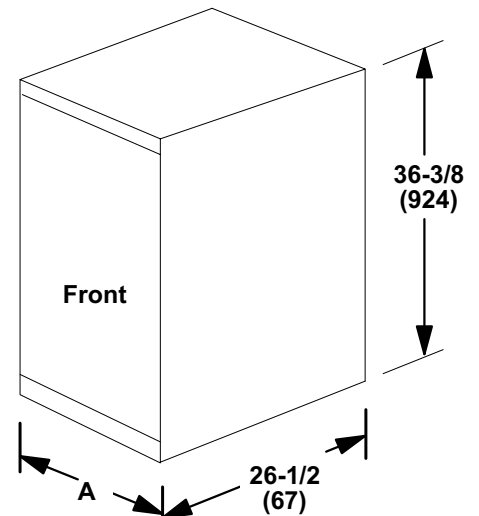
- Combustible Flooring Base
- LPG/Propane Conversion Kit
- Thermostat

WARRANTY

Cast Iron Boiler Assembly -
twelve years
All other covered components -
five years
Refer to Lennox Equipment Limited
Warranty certificate included with
equipment for details

Model No	A
75E	11-1/4 (286)
112E	14-1/2 (368)
150E	17-3/4 (451)
187E	21 (533)
225E	24-1/4 (616)
262E	27-1/2 (699)
299E	30-3/4 (781)

DIMENSIONS



NOTE - Due to Lennox' ongoing commitment to quality, Specifications, Ratings and Dimensions subject to change without notice and without incurring liability. Improper installation, adjustment, alteration, service or maintenance can cause property damage or personal injury. Installation and service must be performed by a qualified installer and servicing agency.

SPECIFICATIONS

			Model No.	GSB8 -075E	GSB8 -112E	GSB8 -150E	GSB8 -187E	GSB8 -225E	GSB8 -262E	GSB8 -299E
Gas Heating Performance	Heating capacity Btuh	Input	Natural gas	75,000	112,500	150,000	187,000	225,000	262,500	299,000
			LPG/Propane	70,000	105,000	140,000	175,000	210,000	245,000	280,000
		Output	Natural gas	62,000	91,000	122,000	153,000	183,000	214,000	245,000
			LPG/Propane	58,000	85,000	114,000	143,000	171,000	200,000	229,000
	¹ Net AHRI I=B=R rating - Btuh		Natural gas	47,000	68,000	92,000	115,000	137,000	161,000	184,000
			LPG/Propane	44,000	64,000	86,000	107,000	128,000	150,000	172,000
	¹ Net AHRI I=B=R rating - sq. ft. radiation		Natural gas	196	283	383	479	571	671	767
			LPG/Propane	183	267	358	446	553	625	717
			² AFUE	82.7%	82.0%	82.0%	82.0%	82.0%	82.0%	82.0%
Boiler Data	Number of boiler sections			3	4	5	6	7	8	9
	Boiler capacity - U.S. gallons	Full		4.2	5.90	7.60	9.30	11.00	12.70	14.40
		Water level		2.6	3.80	5.00	6.20	7.40	8.60	9.80
Connections in.	Flue size diameter (round)			5	6	6	7	7	7	7
	Gas piping	Natural gas		1/2	1/2	1/2	3/4	3/4	3/4	3/4
		LPG/Propane		1/2	1/2	1/2	3/4	3/4	3/4	3/4
	Water supply size			2-1/2 NPT						
	Water return size			2-1/2 NPT						
	Drain size			3/4 NPT						
Electrical characteristics				120 volts - 60 hertz - 1 phase (less than 12 amps)						
Shipping weight - lbs. 1 package				325	404	483	564	649	719	800

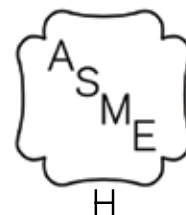
OPTIONAL ACCESSORIES

See Lennox Price Book For Complete Listing of Optional Accessories

LPG/Propane Conversion Kit	Standard Kit	57L60	54L59	54L61	54L63	54L65	54L67	54L69
	High Altitude (over 5000 ft.)	57L61	54L60	54L62	54L64	54L66	54L68	54L70
Combustible Flooring Base		N/A	N/A	N/A	N/A	18P26	18P26	18P26

¹ Net AHRI steam ratings indicate the amount of equivalent direct radiation each boiler will produce under normal conditions and thermostatic control. Steam ratings based on an allowance of 1.333 in accordance with the factors shown on the I=B=R Standard as published by The Hydronics Institute. Selection of boiler size should be based on "Net I=B=R Rating" being equal to or greater than installed radiation in square feet.

² Annual Fuel Utilization Efficiency based on US DOE test procedures and FTC labeling regulations.





PRODUCT CATALOG

Oil-Fired - Hot Water Boiler
AFUE - Up to 85.2%
Input - 105,000 to 245,000 Btuh

Page 11
January 2016
Supersedes June 2015

FEATURES

Heating System

- Cast Iron Boiler Assembly
- Beckett Oil Burner
- Pressure Relief Valve
- Combination Temperature/Pressure Gauge
- Circulating Pump
- Brass Drain Valve
- Flue Brush

Venting

- Barometric Draft Control

Controls

- High Limit and Circulator Relay Control

Cabinet

- Heavy gauge steel with baked-on enamel finish.
- Fully insulated with fiberglass insulation.



ACCESSORIES

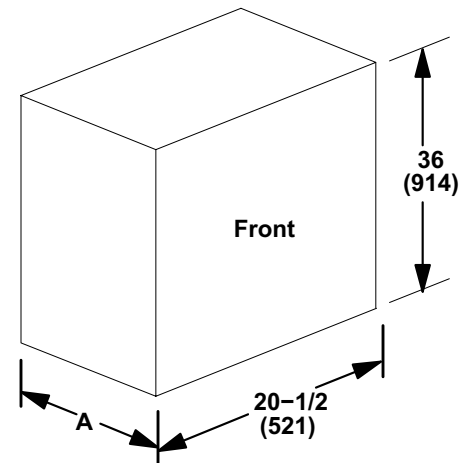
- Tankless Hot Water Coil
- Thermostat

WARRANTY

Cast Iron Boiler Assembly - twenty years
 All other covered components - five years
 Refer to Lennox Equipment Limited Warranty certificate included with equipment for details

Model No	A	Overall Depth
COWB3-3	14-1/2 (368)	28-1/4 (718)
COWB3-4	17-3/4 (451)	31-1/2 (800)
COWB3-5	21 (533)	34-3/4 (883)

DIMENSIONS



NOTE - Due to Lennox' ongoing commitment to quality, Specifications, Ratings and Dimensions subject to change without notice and without incurring liability. Improper installation, adjustment, alteration, service or maintenance can cause property damage or personal injury. Installation and service must be performed by a qualified installer and servicing agency.

SPECIFICATIONS

		Model No.	COWB3-3	COWB3-4	COWB3-5
Oil Heating Performance	Input - Btuh	Low Fire Nozzle	105,000	175,000	245,000
		High Fire Nozzle	140,000	210,000	---
	¹ Output - Btuh	Low Fire Nozzle	92,000	151,000	210,000
		High Fire Nozzle	120,000	179,000	---
	² Net AHRI I=B=R rating - Btuh	Low Fire Nozzle	80,000	131,000	183,000
		High Fire Nozzle	104,000	156,000	---
	³ AFUE	Low Fire Nozzle	85.2%	85.0%	84.3%
		High Fire Nozzle	84.0%	84.0%	---
Boiler	Number of boiler sections		3	4	5
	Net boiler heating surface - sq. ft.		18.54	25.16	31.78
	Boiler capacity - U.S. gallons		9.6	11.6	13.7
⁴ Nozzle Ratings	U.S. gallons/min. Low Fire Nozzle		0.75	1.25	1.75
	High Fire Nozzle		1.00	1.50	---
Oil Burner Pump	Factory setting 100 psi		1 stage	1 stage	1 stage
Connections in.	Oil piping size N.P.T.		1/4	1/4	1/4
	Flue size diameter		6	6	6
	Water supply size N.P.T.		1-1/4	1-1/4	1-1/4
	Water return size N.P.T.		1-1/4	1-1/4	1-1/4
	Drain connection size N.P.T.		3/4	3/4	3/4
Shipping Data - lbs. (1 package)			492	575	673
Electrical characteristics			120 volts - 60 hertz - 1 phase (less than 12 amps)		

OPTIONAL ACCESSORIES

See Lennox Price Book For Complete Listing of Optional Accessories

⁵ Tankless Water Heater	Catalog Number	27M20	27M20	27M20
	U.S. gallons/min. Low Fire Nozzle	3.00	3.50	4.00
	High Fire Nozzle	3.25	3.75	4.25

NOTE - Circulating pump is not furnished in Canada and must be field supplied.

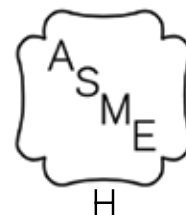
¹ Heating capacity based on 13% CO₂ with 0.02 in. w.g. draft over fire and #1 smoke or less.

² Net AHRI ratings indicate the amount of equivalent direct radiation each boiler will produce under normal conditions and thermostatic control. Ratings based on an allowance of 1.15 in accordance with the factors shown on the I=B=R Standard as published by The Hydronics Institute. Selection of boiler size should be based on "Net I=B=R Rating" being equal to or greater than the calculated heat loss of the building.

³ Annual Fuel Utilization Efficiency based on U.S. DOE test procedures and FTC labelling regulations.

⁴ Based on 140,000 Btuh per gallon.

⁵ Water heated from 40°F to 140°F with 200°F boiler water temperature, intermittent draw.





PRODUCT CATALOG

Residential Hot Water Air Handler
Heating Capacity - 23,700 to 220,000 Btuh
Add-On Cooling - 2 - 5 Tons

Page 13
January 2016
Supersedes June 2015

FEATURES

CBWMV can be used with properly sized gas-fired or oil-fired water heating devices.

Hot water is circulated through the CBMWV hot water coil, supply air blower moves the return air past the coil to extract the heat and then distribute the heated air throughout the conditioned space.

Cannot be used with potable water.

Multi-position

Lennox add-on indoor coil with remote air conditioners, air cleaners, automatic humidifier, and all Lennox Indoor Air Quality products can easily be added for a complete, all-season system.

Heating System

Hot Water Coil - Seamless, corrosion resistant copper tubes with corrugated/lanced aluminum fins.

Freezestat

Controls

Electronic Blower Control

24 Volt Transformer

Blower/Pump Control

Blower

Variable-speed, Direct-Drive Blower

Cabinet

Heavy gauge steel construction with and baked-on enamel paint finish.

Foil faced fiberglass insulation on hot water coil access door panel, side panels and on back panel.

Black mat faced fiberglass in blower compartment.

Field Make-up Box



ACCESSORIES

Cabinet

- Horizontal Support Frame Kit
- RAB Return Air Base
- Air Filter and Rack Kit (Horizontal)
- Air Filter and Rack Kit (Upflow)
- EZ Filter Base (Upflow)

Heating System

- Circulating Pump
- Freezestat

Controls

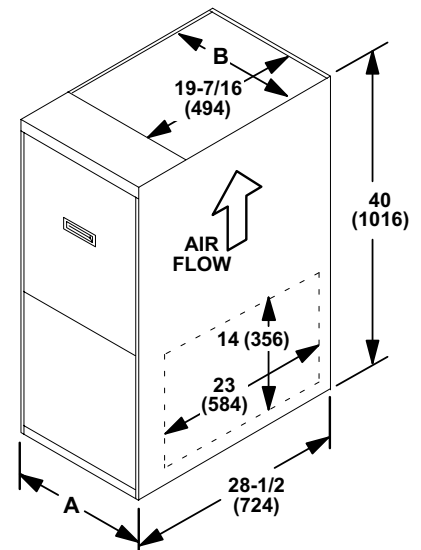
- ComfortSense® 7500 Thermostat
- Thermostat

WARRANTY

All covered components - ten years
Refer to Lennox Equipment Limited
Warranty certificate included with
equipment for details.

DIMENSIONS

		"B" Width	"C" Width
A		17-1/2 (446)	21 (533)
B		16-3/8 (416)	19-7/8 (454)
Bottom return	Width	16 (406)	19-1/2 (495)
	Depth	23-1/2 (597)	23-1/2 (597)



NOTE - Due to Lennox' ongoing commitment to quality, Specifications, Ratings and Dimensions subject to change without notice and without incurring liability. Improper installation, adjustment, alteration, service or maintenance can cause property damage or personal injury. Installation and service must be performed by a qualified installer and servicing agency.

SPECIFICATIONS

Model No.		CBWMV -24B-040	CBWMV -36B-070	CBWMV -36C-090	CBWMV -60C-100	CBWMV -60C-120
Heating Performance	Nominal heating capacity - Btuh	40,000	70,000	90,000	100,000	120,000
	¹ Temperature rise range - °F	32 - 101	45 - 125	51 - 125	41 - 113	45 - 125
Indoor Blower	Wheel nominal diameter x width - in.	10 x 8	10 x 8	10 x 8	11-1/2 x 10	11-1/2 x 10
	Blower motor output - hp	1/2	1/2	1/2	1	1
	Tons of add-on cooling	2 - 3	2 - 3	2 - 3	3.5 - 5	3.5 - 5
	Air volume range - cfm	510 - 1440	490 - 1430	520 - 1450	930 - 2200	930 - 2200
Heating Coil	Heating capacity range Btuh	23,700 - 84,700	30,300 - 123,800	31,400 - 138,400	49,600 - 181,700	55,000 - 220,000
	Net face area - sq. ft.	3.83	3.83	4.33	4.33	4.33
	Tube diameter & no. of rows - in.	3/8 - 1	3/8 - 2	3/8 - 2	3/8 - 2	3/8 - 3
	Fins per inch	16	16	16	16	16
Water Line Connections (sweat) - in. I.D.	Inlet	3/4	3/4	1	1	
	Outlet	3/4	3/4	1	1	1
Shipping Data	lbs. - 1 package	127	144	157	157	165

ELECTRICAL DATA

Electrical characteristics	120 volts - 60 hertz - 1 phase				
² Maximum Overcurrent Protection	15	15	15	20	20
Minimum Circuit Ampacity	10.2	10.2	10.4	16.8	16.8

OPTIONAL ACCESSORIES (ORDER SEPARATELY)

³ Air Filter & Rack Kit Size of filter	Horizontal (end) - in.	87L96 18 x 25 x 1		87L97 20 x 25 x 1 in.		
	Side Return - in.	Single 44J22 or Ten Pack - (1) 16 x 25 x 1				
Circulating Pump	Catalog Number	99K69	99K69	53J76	53J76	53J76
	Motor output - hp	1/40	1/40	1/25	1/25	1/25
	Capacity - U.S. gpm	6	6	9.5	9.5	9.5
	Pressure drop thru coil @ rated flow - psi	3	3	3	3	3
EZ Filter Base	Catalog Number	73P56		73P57		
	Dimensions - H x W x D - in.	4 x 17-5/8 x 28-5/8		4 x 21-5/8 x 28-5/8		
	Size of field provided filter - in.	16 x 25 x 1		20 x 25 x 1		
Horizontal Support Frame Kit	56J18	56J18	56J18	56J18	56J18	
RAB Return Air Base	98M60	98M60	98M58	98M58	98M58	
ComfortSense® 7500 Thermostat	13H14	13H14	13H14	13H14	13H14	

¹ Minimum temperature rise is based off 140°F entering water temperature and the maximum heating air volume. Maximum temperature rise is based off 200°F entering water temperature and the minimum heating air volume using Harmony III™ Zone Control.

² HACR type breaker or fuse.

³ Cleanable polyurethane frame type filter.





AIR CONDITIONERS XC25

DAVE LENNOX SIGNATURE® COLLECTION

R-410A - Variable-Capacity Scroll Compressor
SEER - Up to 26.00
2 to 5 Tons

PRODUCT CATALOG

FEATURES

Refrigerant System

Variable capacity scroll compressor with crankcase heater and sound cover.

Non-chlorine, ozone friendly, R-410A refrigerant.

Copper tube construction with enhanced ripple-edged aluminum fins.

Super-quiet outdoor fan with SilentComfort™ Technology

Variable-speed outdoor fan motor and specially designed fan blades reduce operating sound levels.

PVC coated, steel fan guard.

Fully serviceable brass service valves

Factory installed, hi-capacity liquid line drier

Controls

iComfort® Control communicates information about the unit to the iComfort® thermostat (required).



DC Inverter Control adjusts compressor output in increments as small as 1%.

High Pressure Switch

Loss of Charge Switch

Precise Comfort™ Technology

The Variable Capacity Compressor and DC Inverter Control is an integrated system that operates together to reduce overall energy usage when compared to conventional air conditioners.

Cabinet

SmartHinge™ Louvered Coil Protection.

PermaGuard™ zinc-coated base.

Heavy-gauge galvanized steel cabinet with powder paint finish.



iComfort® S30
Thermostat required.
Not furnished



SunSource® Solar-Ready Components (order separately)

See page 23

- Lennox Solar Subpanel
- Solar Modules
- Roof Mounting Kits
- Installation Kits
- Envoy Communications Gateway

NOTE - The Dave Lennox Signature Collection XC25 Air Conditioner can only be used with the iComfort® S30 Thermostat.

NOTE - The XC25 can only be matched with iComfort®-enabled variable-speed indoor furnaces and air handlers.

LIMITED WARRANTY

Compressor - ten years

All covered components - ten years

Refer to Lennox Equipment Limited Warranty certificate included with equipment for details

AHRI RATINGS

See AHRI Ratings Supplement

REQUIRED CONTROLS

- iComfort® S30 Thermostat
- Discharge Air Temperature Sensor

ACCESSORIES

See page 21

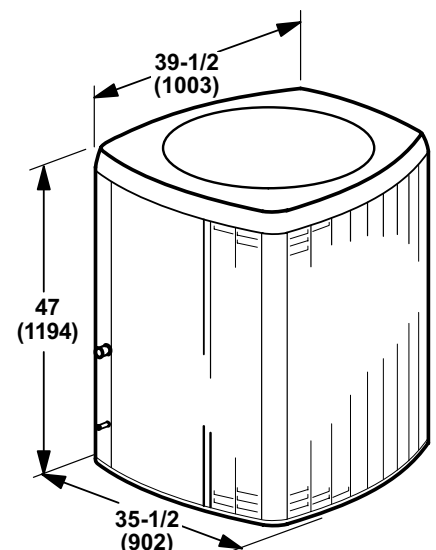
Controls

- Freezestat

Refrigerant System

- Expansion Valve Kits
- Refrigerant Line Kits

DIMENSIONS



NOTE - Due to Lennox' ongoing commitment to quality, Specifications, Ratings and Dimensions subject to change without notice and without incurring liability. Improper installation, adjustment, alteration, service or maintenance can cause property damage or personal injury. Installation and service must be performed by a qualified installer and servicing agency.

SPECIFICATIONS

General Data		Model No.	XC25-024	XC25-036	XC25-048	XC25-060
Nominal Tonnage			2	3	4	5
Indoor Unit Expansion Valve (TXV) (If needed)			12J18	12J19	12J20	12J20
¹ Sound Rating Number (dB)	Min.		59	59	66	64
	Max.		70	73	74	74
Connections (sweat)	Liquid line (o.d.) - in.		3/8	3/8	3/8	3/8
	Suction line (o.d.) - in.		7/8	7/8	7/8	1-1/8
Refrigerant	² R-410A charge furnished		13 lbs. 10 oz.	10 lbs. 12 oz.	14 lbs. 8 oz.	14 lbs. 8 oz.
Outdoor Fan	Diameter - in.		26	26	26	26
	No. of blades		5	5	5	5
	Motor hp		1/3	1/3	1/3	1/3
Shipping Data - lbs. - 1 pkg.			303	303	330	330

ELECTRICAL DATA

Line voltage data - 60hz		208/230V-1ph	208/230V-1ph	208/230V-1ph	208/230V-1ph
³ Maximum overcurrent protection (amps)		25	30	50	50
⁴ Minimum circuit ampacity		14.9	19.5	32.9	34.1
Compressor	Rated load amps	10.3	14.0	24.7	25.7
	Locked rotor amps	18	18	29	29
	Power factor	0.97	0.98	0.99	0.99
Outdoor Fan Motor - Full load amps		2.0	2.0	2.0	2.0

REQUIRED COMPONENTS - ORDER SEPARATELY

iComfort® S30 Thermostat	12U67	12U67	12U67	12U67
⁵ Discharge Air Temperature Sensor	88K38	88K38	88K38	88K38

NOTE - Extremes of operating range are plus 10% and minus 5% of line voltage.

¹ Sound Rating Number in accordance with test conditions included in AHRI Standard 270.

² Refrigerant charge sufficient for 15 ft. length of refrigerant lines. For longer line set requirements see the Installation Instructions for information about line set length and additional refrigerant charge required.

³ HACR type breaker or fuse.

⁴ Refer to National or Canadian Electrical Code manual to determine wire, fuse and disconnect size requirements.

⁵ Optional for service diagnostics.



NOTE - Due to Lennox' ongoing commitment to quality, Specifications, Ratings and Dimensions subject to change without notice and without incurring liability. Improper installation, adjustment, alteration, service or maintenance can cause property damage or personal injury. Installation and service must be performed by a qualified installer and servicing agency.



PRODUCT CATALOG

AIR CONDITIONERS

XC21

DAVE LENNOX SIGNATURE® COLLECTION

R-410A - Two-Stage Scroll Compressor

SEER - Up to 21.00

2 to 5 Tons

Page 3

January 2016

Supersedes June 2015

FEATURES

Refrigerant System

Two-Stage scroll compressor with crankcase heater

Non-chlorine, ozone friendly, R-410A refrigerant.

Copper tube construction with enhanced ripple-edged aluminum fins.

Super-quiet outdoor fan with SilentComfort™ Technology

Variable-speed outdoor fan motor and specially designed fan blades reduce operating sound levels.

PVC coated, steel fan guard.

Fully serviceable brass service valves

Factory installed, hi-capacity liquid line drier

Controls

iComfort® Control communicates information about the unit to the optional iComfort® thermostat.



High Pressure Switch

Loss of Charge Switch

Cabinet

Heavy-gauge galvanized steel cabinet with powder paint finish.

SmartHinge™ Louvered Coil Protection.

PermaGuard™ zinc-coated base.

Compressor and control box located in a separate compartment, insulated with thick fiberglass insulation.

LIMITED WARRANTY

Compressor - ten years

All covered components - ten years

Refer to Lennox Equipment Limited Warranty certificate included with equipment for details



SunSource® Solar-Ready Components (order separately)

See page 23

- Lennox Solar Subpanel
- Solar Modules
- Roof Mounting Kits
- Installation Kits
- Envoy Communications Gateway

AHRI RATINGS

See AHRI Ratings Supplement

ACCESSORIES

See page 21

Compressor

- Compressor Hard Start Kit
- Compressor Low Ambient Cut-Off
- Compressor Time-Off Control

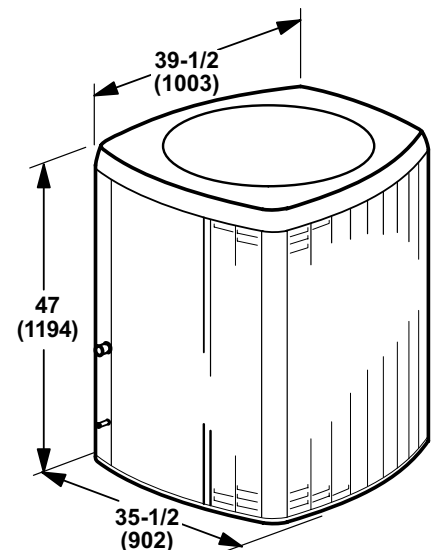
Controls

- iComfort® S30 Thermostat
- ComfortSense® 7500 Thermostat
- Thermostat
- Freezestat
- Indoor Blower Off Delay Relay
- Indoor Blower Speed Relay Kit
- Low Ambient Kit

Refrigerant System

- Expansion Valve Kits
- Refrigerant Line Kits

DIMENSIONS



NOTE - Due to Lennox' ongoing commitment to quality, Specifications, Ratings and Dimensions subject to change without notice and without incurring liability. Improper installation, adjustment, alteration, service or maintenance can cause property damage or personal injury. Installation and service must be performed by a qualified installer and servicing agency.

SPECIFICATIONS

General Data	Model No.	XC21-024	XC21-036	XC21-048	XC21-060
Nominal Tonnage		2	3	4	5
Indoor Unit Expansion Valve (TXV) (If needed)		12J18	12J19	12J20	12J20
¹ Sound Rating Number (dB)		69	71	73	73
Connections (sweat)	Liquid line (o.d.) - in.	3/8	3/8	3/8	3/8
	Suction line (o.d.) - in.	7/8	7/8	7/8	1-1/8
Refrigerant	² R-410A charge furnished	11 lbs. 12 oz.	12 lbs. 5 oz.	13 lbs. 8 oz.	12 lbs. 5 oz.
Outdoor Fan	Diameter - in.	26	26	26	26
	No. of blades	5	5	5	5
	Motor hp	1/3	1/3	1/3	1/3
Shipping Data	lbs. - 1 package	314	331	337	357

ELECTRICAL DATA

Line voltage data - 60hz - 1 ph	208/230V	208/230V	208/230V	208/230V
³ Maximum overcurrent protection (amps)	25	35	45	60
⁴ Minimum circuit ampacity	20	21.1	28.5	35.8
Compressor - Rated load amps	11.7	15.3	21.2	27.1
Outdoor Fan Motor - Full load amps	2.0	2.0	2.0	2.0

NOTE – Extremes of operating range are plus 10% and minus 5% of line voltage.

¹ Sound Rating Number rated in accordance with test conditions included in AHRI Standard 270.

² Refrigerant charge sufficient for 15 ft. length of refrigerant lines.

³ HACR type circuit breaker or fuse.

⁴ Refer to National or Canadian Electrical Code manual to determine wire, fuse and disconnect size requirements



NOTE – Due to Lennox' ongoing commitment to quality, Specifications, Ratings and Dimensions subject to change without notice and without incurring liability. Improper installation, adjustment, alteration, service or maintenance can cause property damage or personal injury. Installation and service must be performed by a qualified installer and servicing agency.



PRODUCT CATALOG

AIR CONDITIONERS SL18XC1

DAVE LENNOX SIGNATURE® COLLECTION

R-410A - Scroll Compressor - SilentComfort™ Technology
SEER - Up to 18.50
2 to 5 Tons

Page 5
January 2016
Supersedes June 2015

FEATURES

Refrigerant System

- Scroll compressor with crankcase heater and sound cover
- Non-chlorine, ozone friendly, R-410A refrigerant.
- Lennox Quantum™ Coil - Aluminum tube construction with enhanced ripple-edged aluminum fins.
- Super-quiet outdoor fan with SilentComfort™ Technology
- Specially designed fan blades reduce operating sound levels.
- PVC coated, steel fan guard.
- Fully serviceable brass service valves
- Factory installed, hi-capacity liquid line drier

Controls

iComfort® Control communicates information about the unit to the optional iComfort® thermostat.



- High Pressure Switch
- Loss of Charge Switch

Cabinet

- Heavy-gauge galvanized steel cabinet with powder paint finish.
- SmartHinge™ Louvered Coil Protection.
- PermaGuard™ zinc-coated base.

LIMITED WARRANTY

- Compressor - ten years
- All covered components - ten years
- Refer to Lennox Equipment Limited Warranty certificate included with equipment for details



SunSource® Solar-Ready Components (order separately)

See page 23

- Lennox Solar Subpanel
- Solar Modules
- Roof Mounting Kits
- Installation Kits and Tools
- Envoy Communications Gateway

Model No.	A
SL18XC1-024 SL18XC1-048 SL18XC1-060	47 (1194)
SL18XC1-030 SL18XC1-036 SL18XC1-042	41 (1041)

AHRI RATINGS

See AHRI Ratings Supplement

ACCESSORIES

See page 21

Compressor

- Compressor Hard Start Kit
- Compressor Low Ambient Cut-Off
- Compressor Time-Off Control

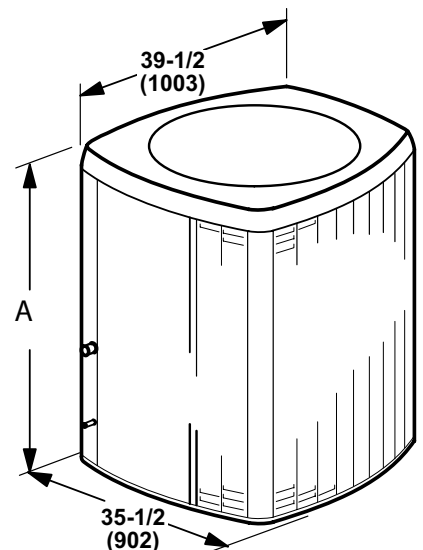
Controls

- iComfort® S30 Thermostat
- ComfortSense® 7500 Thermostat
- Freezestat
- Indoor Blower Off Delay Relay
- Low Ambient Kit
- Thermostat

Refrigerant System

- Expansion Valve Kits
- Refrigerant Line Kits

DIMENSIONS



NOTE - Due to Lennox' ongoing commitment to quality, Specifications, Ratings and Dimensions subject to change without notice and without incurring liability. Improper installation, adjustment, alteration, service or maintenance can cause property damage or personal injury. Installation and service must be performed by a qualified installer and servicing agency.

SPECIFICATIONS

General Data	Model No.	SL18XC1-024	SL18XC1-030	SL18XC1-036	SL18XC1-042	SL18XC1-048	SL18XC1-060
Nominal Tonnage		2	2.5	3	3.5	4	5
Indoor Unit Expansion Valve (TXV) (If needed)		12J18	12J18	12J19	12J20	12J20	12J20
¹ Sound Rating Number (dB)		65	68	71	71	74	74
Connections (sweat)	Liquid line (o.d.) - in.	3/8	3/8	3/8	3/8	3/8	3/8
	Suction line (o.d.) - in.	3/4	3/4	7/8	7/8	7/8	1-1/8
Refrigerant	² R-410A charge furnished	7 lbs. 0 oz.	8 lbs. 8 oz.	8 lbs. 8 oz.	10 lbs. 3 oz.	10 lbs. 13 oz.	12 lbs. 0 oz.
Outdoor Fan	Diameter - in.	26	26	26	26	26	26
	No. of blades	5	5	5	5	5	5
	Motor hp	1/3	1/3	1/3	1/3	1/3	1/3
Shipping Data - lbs. 1 pkg.		241	258	260	280	296	298

ELECTRICAL DATA

Line voltage data - 60hz - 1 ph	208/230V	208/230V	208/230V	208/230V	208/230V	208/230V	
³ Maximum overcurrent protection (amps)	25	30	30	40	45	50	
⁴ Minimum circuit ampacity	20	20	20	24.4	26.0	31.6	
Compressor	Rated load amps	11.2	12.8	14.1	17.9	19.2	23.7
	Locked rotor amps	60.8	67.8	72.2	112.0	117	152.5
	Power factor	.97	.97	.99	.97	.97	.96
Outdoor Fan Motor	Full load amps	2.0	2.0	2.0	2.0	2.0	2.0

NOTE – Extremes of operating range are plus 10% and minus 5% of line voltage.

¹ Sound Rating Number rated in accordance with test conditions included in AHRI Standard 270.

² Refrigerant charge sufficient for 15 ft. length of refrigerant lines.

³ HACR type circuit breaker or fuse.

⁴ Refer to National or Canadian Electrical Code manual to determine wire, fuse and disconnect size requirements



NOTE – Due to Lennox' ongoing commitment to quality, Specifications, Ratings and Dimensions subject to change without notice and without incurring liability. Improper installation, adjustment, alteration, service or maintenance can cause property damage or personal injury. Installation and service must be performed by a qualified installer and servicing agency.



PRODUCT CATALOG

AIR CONDITIONERS XC17

DAVE LENNOX SIGNATURE® COLLECTION

R-410A - Scroll Compressor - SilentComfort™ Technology
SEER - Up to 18.00
2 to 5 Tons

Page 7

January 2016

Supersedes June 2015

FEATURES

Refrigerant System

Scroll compressor with crankcase heater and sound cover
Non-chlorine, ozone friendly, R-410A refrigerant.
Copper tube construction with enhanced ripple-edged aluminum fins.
Super-quiet outdoor fan with SilentComfort™ Technology
Specially designed fan blades reduce operating sound levels.
PVC coated, steel fan guard.
Fully serviceable brass service valves
Factory installed, hi-capacity liquid line drier

Controls

iComfort® Control communicates information about the unit to the optional iComfort® thermostat.



High Pressure Switch
Loss of Charge Switch

Cabinet

Heavy-gauge galvanized steel cabinet with powder paint finish.
SmartHinge™ Louvered Coil Protection.
PermaGuard™ zinc-coated base.



SunSource® Solar-Ready Components (order separately)

See page 23

- Lennox Solar Subpanel
- Solar Modules
- Roof Mounting Kits
- Installation Kits and Tools
- Envoy Communications Gateway

AHRI RATINGS

See AHRI Ratings Supplement

ACCESSORIES

See page 21

Compressor

- Compressor Hard Start Kit
- Compressor Low Ambient Cut-Off
- Compressor Time-Off Control

Controls

- iComfort® S30 Thermostat
- ComfortSense® 7500 Thermostat
- Freezestat
- Indoor Blower Off Delay Relay
- Low Ambient Kit
- Thermostat

Refrigerant System

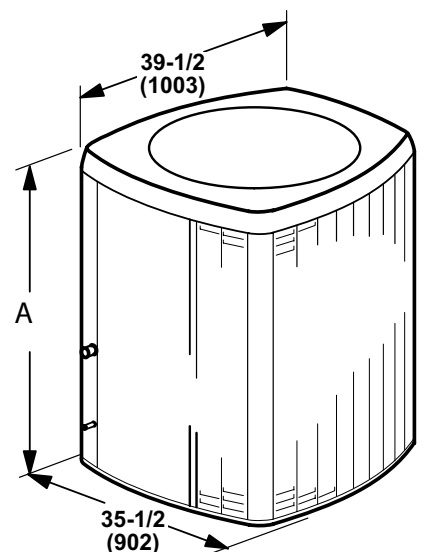
- Expansion Valve Kits
- Refrigerant Line Kits

LIMITED WARRANTY

Compressor - ten years
All covered components - ten years
Refer to Lennox Equipment Limited Warranty certificate included with equipment for details

Model No.	A
XC17-024	41 (1041)
XC17-030	47 (1194)
XC17-036	
XC17-042	
XC17-048	
XC17-060	

DIMENSIONS



NOTE - Due to Lennox' ongoing commitment to quality, Specifications, Ratings and Dimensions subject to change without notice and without incurring liability. Improper installation, adjustment, alteration, service or maintenance can cause property damage or personal injury. Installation and service must be performed by a qualified installer and servicing agency.

SPECIFICATIONS							
General Data	Model No.	XC17-024	XC17-030	XC17-036	XC17-042	XC17-048	XC17-060
Nominal Tonnage		2	2.5	3	3.5	4	5
Indoor Unit Expansion Valve (TXV) (If needed)		12J18	12J18	12J19	12J20	12J20	12J20
¹ Sound Rating Number (dB)		62	64	70	70	73	73
Connections (sweat)	Liquid line (o.d.) - in.	3/8	3/8	3/8	3/8	3/8	3/8
	Suction line (o.d.) - in.	3/4	3/4	7/8	7/8	7/8	1-1/8
Refrigerant	² R-410A charge furnished	7 lbs. 14 oz.	8 lbs. 0 oz.	7 lbs. 12 oz.	7 lbs. 14 oz.	12 lbs. 12 oz.	12 lbs. 14 oz.
Outdoor Fan	Diameter - in.	26	26	26	26	26	26
	No. of blades	5	5	5	5	5	5
	Motor hp	1/4	1/4	1/4	1/4	1/4	1/4
Shipping Data - lbs. 1 pkg.		263	285	286	311	344	349
ELECTRICAL DATA							
Line voltage data - 60hz - 1 ph		208/230V	208/230V	208/230V	208/230V	208/230V	208/230V
³ Maximum overcurrent protection (amps)		30	30	30	40	50	50
⁴ Minimum circuit ampacity		20.0	20.0	20.0	24.4	29.3	33.3
Compressor - Rated load amps		13.5	12.8	14.1	17.9	21.8	25.0
Condenser Fan Motor - Full load amps		2	2	2	2	2	2

NOTE - Extremes of operating range are plus 10% and minus 5% of line voltage.

¹ Sound Rating Number rated in accordance with test conditions included in AHRI Standard 270.

² Refrigerant charge sufficient for 15 ft. length of refrigerant lines.

³ HACR type breaker or fuse.

⁴ Refer to National or Canadian Electrical Code manual to determine wire, fuse and disconnect size requirements.



NOTE – Due to Lennox' ongoing commitment to quality, Specifications, Ratings and Dimensions subject to change without notice and without incurring liability. Improper installation, adjustment, alteration, service or maintenance can cause property damage or personal injury. Installation and service must be performed by a qualified installer and servicing agency.



AIR CONDITIONERS XC20 ELITE® SERIES

PRODUCT CATALOG

R-410A - Variable-Capacity Scroll Compressor
SEER - Up to 20.00
2 to 5 Tons

Page 9
January 2016
Supersedes June 2015

FEATURES

Refrigerant System

Variable capacity scroll compressor with crankcase heater.
Non-chlorine, ozone friendly, R-410A refrigerant.

Copper tube construction with enhanced ripple-edged aluminum fins.

Variable-Speed Outdoor Coil Fan Motor With Integrated Control is programmed for variable capacity operation. Fan speed is directly controlled by the iComfort® communications between the outdoor unit iComfort® control and the iComfort® Thermostat.

PVC coated, steel fan guard.

Fully serviceable brass service valves

Factory installed, hi-capacity liquid line drier

Controls

iComfort® Control communicates information about the unit to the iComfort® thermostat (required).



DC Inverter Control adjusts compressor output in increments as small as 1%.

High Pressure Switch

Low Pressure Switch

Precise Comfort™ Technology

The Variable Capacity Compressor and DC Inverter Control is an integrated system that operates together to reduce overall energy usage when compared to conventional air conditioners.

Cabinet

SmartHinge™ Louvered Coil Protection.

PermaGuard™ zinc-coated base.

Heavy-gauge galvanized steel cabinet with powder paint finish.



iComfort® S30 Thermostat required. Not furnished

LIMITED WARRANTY

Compressor - ten years
All covered components - ten years
Refer to Lennox Equipment Limited Warranty certificate included with equipment for details

AHRI RATINGS

See AHRI Ratings Supplement

REQUIRED CONTROLS

- iComfort® S30 Thermostat
- Discharge Air Temperature Sensor

ACCESSORIES

See page 21

Controls

- Freezestat

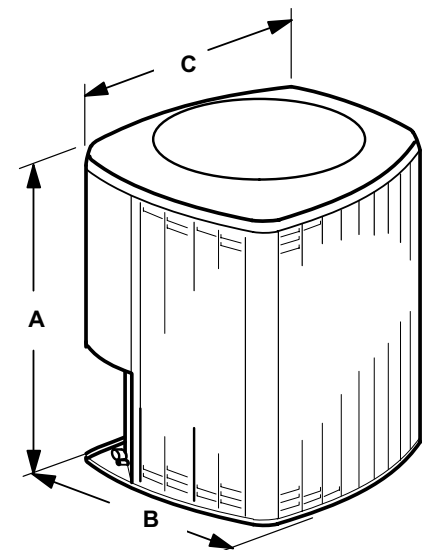
Refrigerant System

- Expansion Valve Kits
- Refrigerant Line Kits

NOTE - The XC20 Air Conditioner can only be used with the iComfort® S30 Thermostat.

NOTE - The XC20 can only be matched with iComfort®-enabled variable-speed indoor furnaces and air handlers.

Model No.	A	B	C
XC20-024	39 (991)	35-1/2 (902)	39-3/8 (1000)
XC20-036	39 (991)	35-1/2 (902)	39-3/8 (1000)
XC20-048	45 (1143)	35-1/2 (902)	39-3/8 (1000)
XC20-060	45 (1143)	35-1/2 (902)	39-3/8 (1000)



NOTE - Due to Lennox' ongoing commitment to quality, Specifications, Ratings and Dimensions subject to change without notice and without incurring liability. Improper installation, adjustment, alteration, service or maintenance can cause property damage or personal injury. Installation and service must be performed by a qualified installer and servicing agency.

SPECIFICATIONS

General Data	Model No.	XC20-024	XC20-036	XC20-048	XC20-060
	Nominal Tonnage	2	3	4	5
Indoor Unit Expansion Valve (TXV) (If needed)		12J18	12J19	12J20	12J20
¹ Sound Rating Number (dB) - Min./Max.		65/72	67/75	68/77	69/77
Connections (sweat)	Liquid line (o.d.) - in.	3/8	3/8	3/8	3/8
	Suction line (o.d.) - in.	3/4	7/8	7/8	1-1/8
Refrigerant	² R-410A charge furnished	7 lbs. 5 oz.	8 lbs. 6 oz.	10 lbs. 7 oz.	12 lbs. 1 oz.
Outdoor Fan	Diameter - in.	22	22	22	26
	No. of blades	4	4	4	3
	Motor hp	1/6	1/4	1/3	1/3
Shipping Data - lbs. 1 pkg.		243	241	287	321

ELECTRICAL DATA

Line voltage data - 60hz		208/230V-1ph	208/230V-1ph	208/230V-1ph	208/230V-1ph
³ Maximum overcurrent protection (amps)		30	30	50	50
⁴ Minimum circuit ampacity		19.1	20.6	29.1	29.3
Compressor	Rated load amps	13.0	14.2	21.0	21.2
	Locked rotor amps	13.0	13.0	20.0	20
	Power factor	.98	.99	.99	.99
Outdoor Fan Motor	Full load amps	2.8	2.8	2.8	2.8

NOTE - Extremes of operating range are plus 10% and minus 5% of line voltage.

¹ Sound Rating Number rated in accordance with test conditions included in AHRI Standard 270.

² Refrigerant charge sufficient for 15 ft. length of refrigerant lines. For longer line set requirements see the Installation Instructions for information about line set length and additional refrigerant charge required.

³ HACR type breaker or fuse.

⁴ Refer to National or Canadian Electrical Code manual to determine wire, fuse and disconnect size requirements.



NOTE - Due to Lennox' ongoing commitment to quality, Specifications, Ratings and Dimensions subject to change without notice and without incurring liability. Improper installation, adjustment, alteration, service or maintenance can cause property damage or personal injury. Installation and service must be performed by a qualified installer and servicing agency.



PRODUCT CATALOG

AIR CONDITIONERS XC16 ELITE® SERIES

R-410A - Two-Stage Scroll Compressor
SEER - Up to 17.00
2 to 5 Tons

Page 11
January 2016
Supersedes June 2015

FEATURES

Refrigerant System

- Two-Stage scroll compressor with crankcase heater
- Non-chlorine, ozone friendly, R-410A refrigerant.
- Copper tube construction with enhanced ripple-edged aluminum fins.
- PVC coated, steel fan guard.
- Fully serviceable brass service valves
- Factory installed, hi-capacity liquid line drier

Controls

- High Pressure Switch
- Loss of Charge Switch

Cabinet

- Heavy-gauge galvanized steel cabinet with powder paint finish.
- SmartHinge™ Louvered Coil Protection.
- PermaGuard™ zinc-coated base.



AHRI RATINGS

See AHRI Ratings Supplement

ACCESSORIES

See page 21

Compressor

- Compressor Hard Start Kit
- Compressor Low Ambient Cut-Off
- Compressor Time-Off Control
- Compressor Monitor

Controls

- Freezestat
- Indoor Blower Off Delay Relay
- Indoor Blower Speed Relay Kit
- Low Ambient Kit
- ComfortSense® 7500 Thermostat
- Thermostat

Refrigerant System

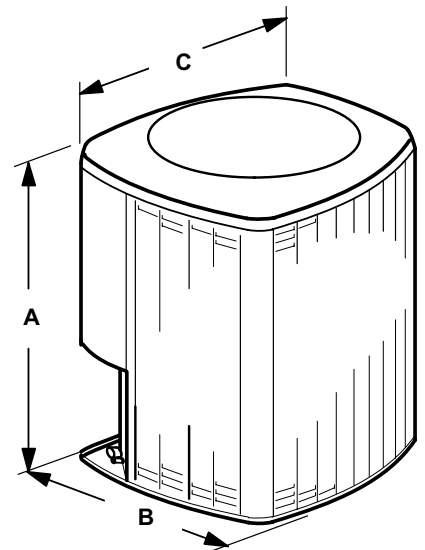
- Expansion Valve Kits
- Refrigerant Line Kits

LIMITED WARRANTY

Compressor - ten years
All covered components - five years
Refer to Lennox Equipment Limited Warranty certificate included with equipment for details

Model No.	A	B	C
XC16-024	45 (1143)	30-1/2 (775)	35 (889)
XC16-036	31 (787)	30-1/2 (775)	35 (889)
XC16-048	39 (991)	30-1/2 (775)	35 (889)
XC16-060	45 (1143)	35-1/2 (902)	39-1/2 (1003)

DIMENSIONS



NOTE - Due to Lennox' ongoing commitment to quality, Specifications, Ratings and Dimensions subject to change without notice and without incurring liability. Improper installation, adjustment, alteration, service or maintenance can cause property damage or personal injury. Installation and service must be performed by a qualified installer and servicing agency.

SPECIFICATIONS

General Data	Model No.	All Regions	XC16-024	XC16-036	XC16-048	XC16-060
		North / South Regions	XC16S024	XC16S036	XC16S048	XC16S060
		Nominal Tonnage	2	3	4	5
		Indoor Unit Expansion Valve (TXV) (If needed)	12J18	12J19	12J20	12J20
¹ Sound Rating Number (dB)			73	74	74	74
Connections (sweat)		Liquid line (o.d.) - in.	3/8	3/8	3/8	3/8
		Suction line (o.d.) - in.	3/4	7/8	7/8	1-1/8
Refrigerant		² R-410A charge furnished	7 lbs. 5 oz.	8 lbs. 6 oz.	10 lbs. 7 oz.	12 lbs. 1 oz.
Outdoor Fan		Diameter - in.	22	22	22	26
		No. of blades	4	4	4	3
		Motor hp	1/6	1/4	1/3	1/3
Shipping Data - lbs. 1 pkg.			249	243	268	332

ELECTRICAL DATA

Line voltage data - 60hz		⁵ 230V-1ph	⁵ 230V-1ph	⁵ 230V-1ph	⁵ 230V-1ph	
³ Maximum overcurrent protection (amps)		25	35	50	60	
⁴ Minimum circuit ampacity		15.7	20.8	29.2	35.6	
Compressor		Rated load amps	11.66	15.25	21.15	27.1
Outdoor Fan Motor		Full load amps	1.0	1.7	2.8	1.8

NOTE - Extremes of operating range are plus 10% and minus 5% of line voltage.

¹ Sound Rating Number rated in accordance with test conditions included in AHRI Standard 270.

² Refrigerant charge sufficient for 15 ft. length of refrigerant lines. For longer line set requirements see the Installation Instructions for information about line set length and additional refrigerant charge required.

³ HACR type breaker or fuse.

⁴ Refer to National or Canadian Electrical Code manual to determine wire, fuse and disconnect size requirements.

⁵ Hard start kit is required in applications where the supply voltage is less than 230V.



NOTE - Due to Lennox' ongoing commitment to quality, Specifications, Ratings and Dimensions subject to change without notice and without incurring liability. Improper installation, adjustment, alteration, service or maintenance can cause property damage or personal injury. Installation and service must be performed by a qualified installer and servicing agency.



PRODUCT CATALOG

**AIR CONDITIONERS
XC14
ELITE® SERIES**

**R-410A
SEER - Up to 16.00
1.5 to 5 Tons**

Page 13
January 2016
Supersedes June 2015

FEATURES

Refrigerant System

Scroll Compressor with sound cover
Non-chlorine, ozone friendly, R-410A refrigerant.

Copper tube construction with enhanced ripple-edged aluminum fins.

Units applicable to expansion valve systems or RFC systems when matched with specific indoor coils.

Fully serviceable brass service valves.

Factory installed, hi-capacity liquid line drier

Totally enclosed, direct drive outdoor fan motor with sleeve bearings.

PVC coated, steel fan guard.

Controls

High Pressure Switch.

Cabinet

Heavy-gauge galvanized steel cabinet with powder paint finish.

SmartHinge™ Louvered Coil Protection.

PermaGuard™ zinc-coated base.

Corner patch plate allows access to compressor.



AHRI RATINGS

See AHRI Ratings Supplement

ACCESSORIES

See page 21

Compressor

- Compressor Crankcase Heater
- Compressor Hard Start Kit
- Compressor Low Ambient Cut-Off
- Compressor Time-Off Control

Controls

- Freezestat
- Indoor Blower Off Delay Relay
- Loss of Charge Switch Kit
- Low Ambient Kit
- Thermostat

Refrigerant System

- Expansion Valve Kits
- Refrigerant Line Kits

LIMITED WARRANTY

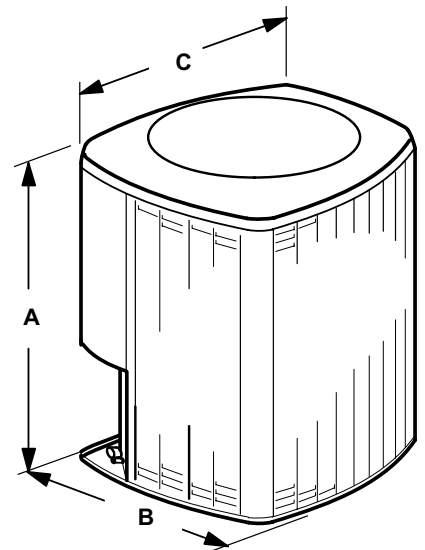
Compressor - ten years

All covered components - five years

Refer to Lennox Equipment Limited Warranty certificate included with equipment for details

Model No.	A	B	C
XC14-018	31 (787)	27 (729)	28 (711)
XC14-024	31 (787)	30-1/2 (775)	35 (889)
XC14-030 XC14-036 XC14S036 XC14-041	39 (991)	30-1/2 (775)	35 (889)
XC14-042	35 (889)	30-1/2 (775)	35 (889)
XC14-048	39 (991)	30-1/2 (775)	35 (889)
XC14-047 XC14-060	35 (889)	35-1/2 (902)	39-1/2 (1003)

DIMENSIONS



NOTE - Due to Lennox' ongoing commitment to quality, Specifications, Ratings and Dimensions subject to change without notice and without incurring liability. Improper installation, adjustment, alteration, service or maintenance can cause property damage or personal injury. Installation and service must be performed by a qualified installer and servicing agency.

SPECIFICATIONS

General Data	Model No.	All Regions	XC14-018	XC14-024	XC14-030	---
		North / South Regions	---	---	---	XC14S036
		Southwest Region	---	---	---	XC14-036
		Nominal Tonnage	1.5	2	2.5	3
		Indoor Unit Expansion Valve (TXV) (If needed)	12J18	12J18	12J18	12J19
		RFCIV Metering Orifice Usage	See AHRI Air Conditioner System Matches (Bulletin No. 210561AC)			
¹ Sound Rating Number (dB)			71	71	71	70
Connections (sweat)		Liquid line (o.d.) - in.	3/8	3/8	3/8	3/8
		Suction line (o.d.) - in.	3/4	3/4	3/4	7/8
Refrigerant		² R-410A charge furnished	4 lbs. 13 oz.	5 lbs. 6 oz.	6 lbs. 11 oz.	6 lbs. 11 oz.
Outdoor Fan		Diameter - in.	18	22	22	22
		No. of blades	3	3	3	3
		Motor hp	1/10	1/6	1/6	1/6
Shipping Data - lbs. 1 pkg.			163	200	215	217

ELECTRICAL DATA

Line voltage data - 60hz	208/230V-1ph	208/230V-1ph	208/230V-1ph	208/230V-1ph	
³ Maximum overcurrent protection (amps)	20	25	25	30	
⁴ Minimum circuit ampacity	12.4	15.0	17.1	18.6	
Compressor	Rated load amps	9.4	11.2	12.9	14.1
Outdoor Fan Motor	Full load amps	0.7	1.0	1.0	1.0

SPECIFICATIONS

General Data	Model No.	All Regions	XC14-041	XC14-042	XC14-047	XC14-048	XC14-060
		Nominal Tonnage	3.5	3.5	4	4	5
		Indoor Unit Expansion Valve (TXV) (If needed)	12J20	12J20	12J20	12J20	12J20
		RFCIV Metering Orifice Usage	See AHRI Air Conditioner System Matches (Bulletin No. 210561AC)				
¹ Sound Rating Number (dB)			73	73	73	73	73
Connections (sweat)		Liquid line (o.d.) - in.	3/8	3/8	3/8	3/8	3/8
		Suction line (o.d.) - in.	7/8	7/8	7/8	7/8	1-1/8
Refrigerant		² R-410A charge furnished	10 lbs. 1 oz.	8 lbs. 10 oz.	11 lbs. 3 oz.	10 lbs. 0 oz.	12 lbs. 0 oz.
Outdoor Fan		Diameter - in.	22	22	26	22	26
		No. of blades	4	4	4	4	4
		Motor hp	1/4	1/4	1/3	1/4	1/3
Shipping Data - lbs. 1 pkg.			253	243	284	255	290

ELECTRICAL DATA

Line voltage data - 60hz	208/230V-1ph	208/230V-1ph	208/230V-1ph	208/230V-1ph	208/230V-1ph	
³ Maximum overcurrent protection (amps)	35	40	45	45	60	
⁴ Minimum circuit ampacity	22.6	24.1	26.7	26.7	34.8	
Compressor	Rated load amps	16.7	17.9	19.9	20	26.4
Outdoor Fan Motor	Full load amps	1.7	1.7	1.8	1.7	1.8

NOTE – Extremes of operating range are plus 10% and minus 5% of line voltage.

¹ Sound Rating Number rated in accordance with test conditions included in AHRI Standard 270.

² Refrigerant charge sufficient for 15 ft. length of refrigerant lines.

³ HACR type breaker or fuse.

⁴ Refer to National or Canadian Electrical Code manual to determine wire, fuse and disconnect size requirements.



NOTE – Due to Lennox' ongoing commitment to quality, Specifications, Ratings and Dimensions subject to change without notice and without incurring liability.

Improper installation, adjustment, alteration, service or maintenance can cause property damage or personal injury.

Installation and service must be performed by a qualified installer and servicing agency.

©2016 Lennox Industries Inc.



PRODUCT CATALOG

**AIR CONDITIONERS
XC13
ELITE® SERIES**

**R-410A
SEER - Up to 15.50
1.5 to 5 Tons**

Page 15
January 2016
Supersedes June 2015

FEATURES

Refrigerant System

- Scroll Compressor
- Non-chlorine, ozone friendly, R-410A refrigerant.
- Copper tube construction with enhanced ripple-edged aluminum fins.
- Units applicable to expansion valve systems or RFC systems when matched with specific indoor coils.
- Fully serviceable brass service valves.
- Factory installed, hi-capacity liquid line drier
- Totally enclosed, direct drive outdoor fan motor with sleeve bearings.
- PVC coated, steel fan guard.
- Discharge thermostat.

Controls

- High pressure switch.

Cabinet

- Heavy-gauge galvanized steel cabinet with powder paint finish.
- SmartHinge™ Louvered Coil Protection.
- PermaGuard™ zinc-coated base.
- Corner patch plate allows access to compressor.



LIMITED WARRANTY

Compressor - ten years
All covered components - five years
Refer to Lennox Equipment Limited Warranty certificate included with equipment for details

Model No.	A	B	C
XC13N018	27	27	28
XC13N024	(686)	(729)	(711)
XC13N030	31	27	28
XC13N036	(787)	(729)	(711)
XC13N042	39	31	35
	(991)	(787)	(889)
XC13N048	35	31	35
	(889)	(787)	(889)
XC13N060	31	31	35
	(787)	(787)	(889)

AHRI RATINGS

See AHRI Ratings Supplement

ACCESSORIES

See page 22

Compressor

- Compressor Crankcase Heater
- Compressor Hard Start Kit
- Compressor Low Ambient Cut-Off
- Compressor Sound Cover
- Compressor Time-Off Control

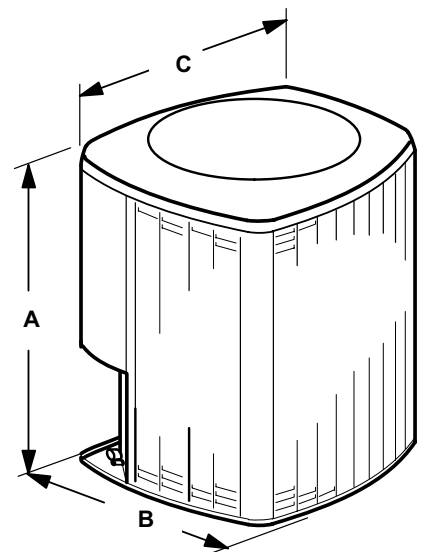
Controls

- Freezestat
- Indoor Blower Off Delay Relay
- Loss of Charge Switch Kit
- Low Ambient Kit
- Thermostat

Refrigerant System

- Expansion Valve Kits
- Refrigerant Line Kits

DIMENSIONS



NOTE – Due to Lennox' ongoing commitment to quality, Specifications, Ratings and Dimensions subject to change without notice and without incurring liability. Improper installation, adjustment, alteration, service or maintenance can cause property damage or personal injury. Installation and service must be performed by a qualified installer and servicing agency.

SPECIFICATIONS

General Data	Model No.	North Region Nominal Tonnage	XC13N018	XC13N024	XC13N030	XC13N036	XC13N042	XC13N048	XC13N060
Indoor Unit Expansion Valve (TXV) (If needed)			12J18	12J18	12J18	12J19	12J20	12J20	12J20
		RFCIV Metering Orifice Usage	See AHRI Air Conditioner System Matches (Bulletin No. 210561AC)						
¹ Sound Rating Number (dB)			74	74	76	76	76	76	76
Connections (sweat)	Liquid line o.d. - in.		3/8	3/8	3/8	3/8	3/8	3/8	3/8
	Suction line o.d. - in.		3/4	3/4	3/4	3/4	7/8	7/8	7/8
² Refrigerant (R-410A) furnished			3 lbs. 13 oz.	4 lbs. 6 oz.	4 lbs. 4 oz.	5 lbs. 4 oz.	6 lbs. 9 oz.	7 lbs. 12 oz.	9 lbs. 0 oz.
Outdoor Fan	Diameter - in.		18	18	18	18	22	22	22
	Number of blades		3	3	4	4	4	4	4
	Motor hp		1/10	1/10	1/5	1/5	1/4	1/4	1/4
Shipping Data - lbs. 1 package			150	150	161	164	240	232	249

ELECTRICAL DATA

	Line voltage data - 60 hz - 1ph	208/230V	208/230V	208/230V	208/230V	208/230V	208/230V	208/230V
	³ Maximum overcurrent protection (amps)	20	25	30	40	45	50	60
	⁴ Minimum circuit ampacity	12.4	14.7	18.7	24.4	28.1	32.0	34.6
Compressor	Rated load amps	9.4	11.2	14.1	18.6	21.2	24.2	26.3
	Locked rotor amps	56.6	60.8	64	70	90	100	125
	Power factor	0.98	0.98	0.98	0.99	0.99	0.99	0.99
Condenser Fan Motor	Full load amps	0.7	0.7	1.1	1.1	1.7	1.7	1.7
	Locked rotor amps	1.4	1.4	2.0	2.0	3.2	3.2	3.2

NOTE – Extremes of operating range are plus 10% and minus 5% of line voltage.

¹ Sound Rating Number rated in accordance with test conditions included in AHRI Standard 270.

² Refrigerant charge sufficient for 15 ft. length of refrigerant lines.

³ HACR type circuit breaker or fuse.

⁴ Refer to National or Canadian Electrical Code manual to determine wire, fuse and disconnect size requirements



NOTE – Due to Lennox' ongoing commitment to quality, Specifications, Ratings and Dimensions subject to change without notice and without incurring liability. Improper installation, adjustment, alteration, service or maintenance can cause property damage or personal injury. Installation and service must be performed by a qualified installer and servicing agency.



PRODUCT CATALOG

**AIR CONDITIONERS
14ACX
MERIT® SERIES**

**R-410A
SEER - Up to 16.00
1.5 to 5 Tons**

Page 17
January 2016
Supersedes June 2015

FEATURES

Refrigerant System

Scroll Compressor
Non-chlorine, ozone friendly, R-410A refrigerant.

Units applicable to expansion valve systems or RFC systems when matched with specific indoor coils
Copper tube construction with enhanced ripple-edged aluminum fins.

Fully serviceable brass service valves.

High pressure switch

Liquid line drier shipped with unit

Totally enclosed, direct drive outdoor fan motor with sleeve bearings.

Louvered steel top fan guard.

Cabinet

Heavy-gauge galvanized steel cabinet with powder paint finish.

Steel louvered panels provide complete coil protection

PermaGuard™ zinc-coated base.

Corner patch plate allows access to compressor.



AHRI RATINGS

See AHRI Ratings Supplement

ACCESSORIES

See page 22

Cabinet

- Mounting Base
- Unit Stand-Off Kit Compressor
- Compressor Crankcase Heater
- Compressor Hard Start Kit
- Compressor Low Ambient Cut-Off
- Compressor Sound Cover
- Compressor Time-Off Control

Controls

- Freezestat
- Indoor Blower Off Delay Relay
- Low Ambient Kit
- Loss of Charge Switch Kit
- Thermostat

Refrigerant System

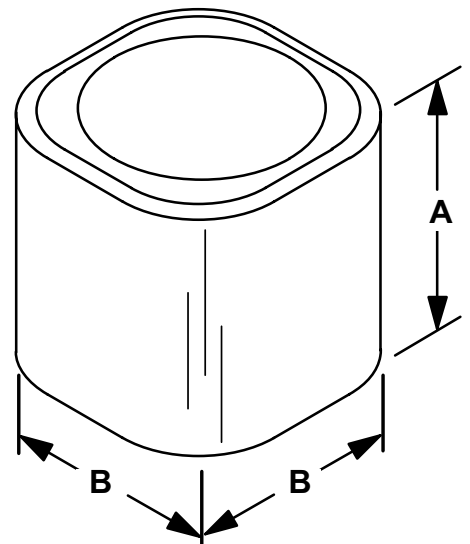
- Expansion Valve Kits
- Refrigerant Line Kits

LIMITED WARRANTY

Compressor - five years
All covered components - five years
Refer to Lennox Equipment Limited Warranty certificate included with equipment for details

Model No.	A	B
14ACX-018	29-1/4 (743)	24-1/4 (616)
14ACX-024	29-1/4 (743)	28-1/4 (718)
14ACX-030	37-1/4 (946)	28-1/4 (718)
14ACX-036		
14ACX-041		
14ACX-042	33-1/4 (845)	28-1/4 (718)
14ACX-048	37-1/4 (946)	28-1/4 (718)
14ACX-059	37-1/4 (946)	32-1/4 (819)
14ACX-047	33-1/4 (845)	32-1/4 (819)
14ACX-060		

DIMENSIONS



NOTE - Due to Lennox' ongoing commitment to quality, Specifications, Ratings and Dimensions subject to change without notice and without incurring liability. Improper installation, adjustment, alteration, service or maintenance can cause property damage or personal injury. Installation and service must be performed by a qualified installer and servicing agency.

SPECIFICATIONS

General	Model No.	All Regions	---	---	---	---	14ACX-041
Data		North / South Regions	14ACXS018	14ACXS024	14ACXS030	14ACXS036	---
		Southwest Region	14ACX-018	14ACX-024	14ACX-030	14ACX-036	---
		Nominal Tonnage	1.5	2	2.5	3	3.5
	Indoor Unit Expansion Valve (TXV) (If needed)		12J18	12J18	12J18	12J19	12J20
	RFCIV Metering Orifice Usage		See AHRI Air Conditioner System Matches (Bulletin No. 210561AC)				
¹ Sound Rating Number (dB)			76	76	76	76	78
Connections (sweat)	Liquid line o.d. - in.		3/8	3/8	3/8	3/8	3/8
	Suction line o.d. - in.		3/4	3/4	3/4	7/8	7/8
² Refrigerant (R-410A) furnished			4 lbs. 13 oz.	5 lbs. 6 oz.	6 lbs. 11 oz.	6 lbs. 11 oz.	10 lbs. 1 oz.
Outdoor Fan	Diameter - in.		18	22	22	22	22
	Number of blades		3	3	3	3	4
	Motor hp		1/10	1/6	1/6	1/6	1/4
Shipping Data - lbs. 1 package			138	158	171	177	209

ELECTRICAL DATA

	Line voltage data - 60 hz - 1ph	208/230V	208/230V	208/230V	208/230V	208/230V
	³ Maximum overcurrent protection (amps)	20	25	25	30	35
	⁴ Minimum circuit ampacity	12.4	15.0	17.1	18.6	22.6
Compressor	Rated load amps	9.4	11.2	12.9	14.1	16.7
Condenser Fan Motor	Full load amps	0.7	1.0	1.0	1.0	1.7

SPECIFICATIONS

General	Model No.	All Regions	---	14ACX-047	14ACX-048	14ACX-059	14ACX-060
Data		North / South Regions	14ACXS042	---	---	---	---
		Southwest Region	14ACX-042	---	---	---	---
		Nominal Tonnage	3.5	4	4	5	5
	Indoor Unit Expansion Valve (TXV) (If needed)		12J20	12J20	12J20	12J20	12J20
	RFCIV Metering Orifice Usage		See AHRI Air Conditioner System Matches (Bulletin No. 210561AC)				
¹ Sound Rating Number (dB)			78	80	78	78	80
Connections (sweat)	Liquid line o.d. - in.		3/8	3/8	3/8	3/8	3/8
	Suction line o.d. - in.		7/8	7/8	7/8	1-1/8	1-1/8
¹ Refrigerant (R-410A) furnished			8 lbs. 10 oz.	11 lbs. 3 oz.	10 lbs. 8 oz.	11 lbs. 2 oz.	12 lbs. 0 oz.
Outdoor Fan	Diameter - in.		22	26	22	26	26
	Number of blades		4	4	4	4	4
	Motor hp		1/4	1/3	1/4	1/3	1/3
Shipping Data - lbs. 1 package			208	250	228	266	253

ELECTRICAL DATA

	Line voltage data - 60 hz - 1ph	208/230V	208/230V	208/230V	208/230V	208/230V
	² Maximum overcurrent protection (amps)	40	45	45	50	60
	³ Minimum circuit ampacity	24.1	26.7	26.7	34.1	34.8
Compressor	Rated load amps	17.9	19.9	20	25	26.4
Condenser Fan Motor	Full load amps	1.7	1.8	1.7	2.8	1.8

NOTE – Extremes of operating range are plus 10% and minus 5% of line voltage.

¹ Sound Rating Number rated in accordance with test conditions included in AHRI Standard 270.

² Refrigerant charge sufficient for 15 ft. length of refrigerant lines.

³ HACR type circuit breaker or fuse.

⁴ Refer to National or Canadian Electrical Code manual to determine wire, fuse and disconnect size requirements



NOTE – Due to Lennox' ongoing commitment to quality, Specifications, Ratings and Dimensions subject to change without notice and without incurring liability.

Improper installation, adjustment, alteration, service or maintenance can cause property damage or personal injury.

Installation and service must be performed by a qualified installer and servicing agency.

©2016 Lennox Industries Inc.



PRODUCT CATALOG

AIR CONDITIONERS 13ACX MERIT® SERIES

R-410A
SEER - Up to 15.50
1.5 to 5 Tons

Page 19
January 2016
Supersedes June 2015

FEATURES

Refrigerant System

Scroll Compressor

Non-chlorine, ozone friendly, R-410A refrigerant.

Units applicable to expansion valve systems or RFC systems when matched with specific indoor coils

Copper tube construction with enhanced ripple-edged aluminum fins.

Fully serviceable brass service valves.

Liquid line drier shipped with unit

High Pressure Switch

Totally enclosed, direct drive outdoor fan motor with sleeve bearings.

Louvered steel top fan guard.

Cabinet

Heavy-gauge galvanized steel cabinet with powder paint finish.

Steel louvered panels provide complete coil protection

PermaGuard™ zinc-coated base.

Corner patch plate allows access to compressor.



LIMITED WARRANTY

Compressor - five years

All covered components - five years

Refer to Lennox Equipment Limited Warranty certificate included with equipment for details

AHRI RATINGS

See AHRI Ratings Supplement

ACCESSORIES

See page 22

Cabinet

- Mounting Base
- Unit Stand-Off Kit

Compressor

- Compressor Crankcase Heater
- Compressor Hard Start Kit
- Compressor Low Ambient Cut-Off
- Compressor Sound Cover
- Compressor Time-Off Control

Controls

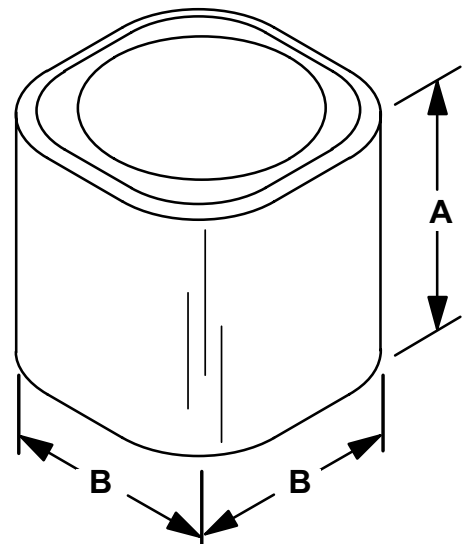
- Freezestat
- Indoor Blower Off Delay Relay
- Low Ambient Kit
- Loss of Charge Switch Kit
- Thermostat

Refrigerant System

- Expansion Valve Kits
- Refrigerant Line Kits

DIMENSIONS

Model No.	A	B
13ACXN018	25-1/4	24-1/4
13ACXN024	(616)	(616)
13ACXN030	29-1/4	24-1/4
13ACXN036	(743)	(616)
13ACXN042	29-1/4	28-1/4
	(743)	(718)
13ACXN048	33-1/4	28-1/4
	(845)	(718)
13ACXN060	29-1/4	28-1/4
	(743)	(718)



NOTE - Due to Lennox' ongoing commitment to quality, Specifications, Ratings and Dimensions subject to change without notice and without incurring liability. Improper installation, adjustment, alteration, service or maintenance can cause property damage or personal injury. Installation and service must be performed by a qualified installer and servicing agency.

SPECIFICATIONS

General Data	Model No.	North Region	13ACXN018	13ACXN024	13ACXN030	13ACXN036	13ACXN042	13ACXN048	13ACXN060	
		Nominal Tonnage	1.5	2	2.5	3	3.5	4	5	
Indoor Unit Expansion Valve (TXV) (If needed)			12J18	12J18	12J18	12J19	12J20	12J20	12J20	
RFCIV Metering Orifice Usage			See AHRI Air Conditioner System Matches (Bulletin No. 210561AC)							
¹ Sound Rating Number (dB)			76	76	76	76	79	79	79	
Connections (sweat)			Liquid line o.d. - in.		3/8	3/8	3/8	3/8	3/8	
			Suction line o.d. - in.		5/8	5/8	3/4	3/4	3/4	7/8
² Refrigerant (R-410A) furnished			3 lbs. 15 oz.	3 lbs. 15 oz.	5 lbs. 2 oz.	5 lbs. 4 oz.	6 lbs. 8 oz.	7 lbs. 12 oz.	9 lbs. 0 oz.	
Outdoor Fan			Diameter - in.		18	18	18	22	22	
			Number of blades		3	3	4	4	4	4
			Motor hp		1/10	1/10	1/5	1/5	1/4	1/4
Shipping Data - lbs. 1 package			138	138	144	151	188	195	218	

ELECTRICAL DATA

Line voltage data - 60 hz - 1ph			208/230V	208/230V	208/230V	208/230V	208/230V	208/230V	208/230V		
³ Maximum overcurrent protection (amps)			20	25	30	35	45	50	60		
⁴ Minimum circuit ampacity			12.4	14.7	18.7	22.0	28.1	31.9	34.6		
Compressor			Rated load amps		9.4	11.2	14.1	16.7	21.2	24.2	26.3
Condenser Fan Motor			Full load amps		0.7	0.7	1.1	1.1	1.7	1.7	1.7

NOTE – Extremes of operating range are plus 10% and minus 5% of line voltage.

¹ Sound Rating Number rated in accordance with test conditions included in AHRI Standard 270.

² Refrigerant charge sufficient for 15 ft. length of refrigerant lines.

³ HACR type circuit breaker or fuse.

⁴ Refer to National or Canadian Electrical Code manual to determine wire, fuse and disconnect size requirements



NOTE – Due to Lennox' ongoing commitment to quality, Specifications, Ratings and Dimensions subject to change without notice and without incurring liability. Improper installation, adjustment, alteration, service or maintenance can cause property damage or personal injury. Installation and service must be performed by a qualified installer and servicing agency.



OPTIONAL ACCESSORIES - ORDER SEPARATELY

		Model No.	XC20 XC25				XC21				SL18CX1 XC17					XC16				XC14								
			-024	-036	-048	-060	-024	-036	-048	-060	-024	-030	-036	-042	-048	-060	-024	-036	-048	-060	-018	-024	-030	-036	-041	-042	-047	-048
iComfort® S30 Thermostat		12U67	•	•	•	•	•	•	•	•	•	•	•	•	•	•												
¹ Remote Outdoor Air Sensor		X2658					•	•	•	•																		
² Discharge Air Temperature Sensor		88K38	•	•	•	•	•	•	•	•	•	•	•	•	•	•												
ComfortSense® 7500 Thermostat		13H14					•	•	•	•	•	•	•	•	•	•	•	•	•	•								
Outdoor Temperature Sensor		X2658					•	•	•	•	•	•	•	•	•	•	•	•	•	•								
Compressor Crankcase Heater		93M04															•	•			•	•	•	•	•	•	•	•
		93M06																									•	•
		Factory					F	F	F	F								F	F									F
Compressor Hard Start Kit		63W22					•										•											
		63W23																										
		10J42					•	•									•	•										
		12J90							•	•																		
		63W24																		•								
		81J69																•	•									
		88M91									•	•	•	•	•	•					•	•	•	•	•	•	•	•
Compressor Low Ambient Cut-Off		45F08															•	•	•	•	•	•	•	•	•	•	•	•
Compressor Time-Off Control		47J27					•	•	•	•	•	•	•	•	•	•	•	•	•	•	•	•	•	•	•	•	•	•
³ Freezestat 3/8 in. tubing		93G35	•	•	•	•	•	•	•	•	•	•	•	•	•	•	•	•	•	•	•	•	•	•	•	•	•	•
5/8 in. tubing		50A93	•	•	•	•	•	•	•	•	•	•	•	•	•	•	•	•	•	•	•	•	•	•	•	•	•	•
Indoor Blower Off Delay Relay		58M81					•	•	•	•	•	•	•	•	•	•	•	•	•	•	•	•	•	•	•	•	•	•
Indoor Blower Speed Relay Kit		40K58					•	•	•	•							•	•	•	•								
Loss of Charge Kit		84M23																			•	•	•	•	•	•	•	•
		Factory					F	F	F	F							F	F	F	F								
³ Low Ambient Kit (TXV systems only)		68M04					•	•	•	•	•	•	•	•	•	•		•										
		34M72															•	•	•		•	•	•	•	•	•	•	•
Refrigerant Line Sets	L15-41-20	L15-41-40									•	•					•				•	•	•					
	L15-41-30	L15-41-50																										
	L15-65-30	L15-65-40	•	•	•		•	•	•			•	•	•			•	•						•	•	•	•	•
		L15-65-50																										
		Field Fabricate			•																							•

¹ Remote Outdoor Temperature Sensor is used with conventional (non-iComfort®-enabled) outdoor units (sensor is furnished with iComfort®-enabled outdoor units). Allows the thermostat to display outdoor temperature. Required in dual-fuel and Humiditrol® applications.

² Optional for service diagnostics.

³ Crankcase Heater (if not furnished) and Freezestat are recommended with Low Ambient Kit.

F = Factory Installed



OPTIONAL ACCESSORIES - ORDER SEPARATELY

	Model No.	XC13							14ACX							13ACX									
		N018	N024	N030	N036	N042	N048	N060	-018	-024	-030	-036	-041	-042	-047	-048	-059	-060	N018	N024	N030	N036	N042	N048	N060
Compressor Crankcase Heater	93M04	•	•	•	•				•	•	•	•	•						•	•	•	•			
	93M05					•	•	•														•	•	•	
	Factory												F		F	F	F	F							
Compressor Hard Start Kit	10J42	•							•		•								•						
	88M91		•	•	•	•	•	•		•	•		•	•	•	•	•	•		•	•	•	•	•	•
Compressor Sound Cover	27W55	•	•	•	•				•	•	•	•							•	•	•	•			
	27W56					•	•	•				•	•	•	•	•	•	•					•	•	•
Compressor Low Ambient Cut-Off	45F08	•	•	•	•	•	•	•	•	•	•	•	•	•	•	•	•	•	•	•	•	•	•	•	•
Compressor Time-Off Control	47J27	•	•	•	•	•	•	•	•	•	•	•	•	•	•	•	•	•	•	•	•	•	•	•	•
Freezestat 3/8 in. tubing	93G35	•	•	•	•	•	•	•	•	•	•	•	•	•	•	•	•	•	•	•	•	•	•	•	•
	5/8 in. tubing	50A93	•	•	•	•	•	•	•	•	•	•	•	•	•	•	•	•	•	•	•	•	•	•	•
Indoor Blower Off Delay Relay	58M81	•	•	•	•	•	•	•	•	•	•	•	•	•	•	•	•	•	•	•	•	•	•	•	•
Loss of Charge Switch Kit	84M23	•	•	•	•	•	•	•	•	•	•	•	•	•	•	•	•	•	•	•	•	•	•	•	•
¹ Low Ambient Kit (TXV systems only)	34M72	•	•	•	•	•	•	•	•	•	•	•	•	•	•	•	•	•	•	•	•	•	•	•	•
	68M04																•								
Mounting Base	69J06								•										•	•	•	•			
	69J07									•	•	•	•	•	•	•	•	•					•	•	•
Refrigerant Line Sets	L15-26-20 L15-26-35																		•	•					
	L15-26-35 L15-26-50																								
	L15-41-20 L15-41-40	•	•	•					•	•	•										•	•	•		
	L15-41-30 L15-41-50																								
	L15-65-30 L15-65-40				•	•	•					•	•	•	•	•								•	•
	L15-65-50																								
	Field Fabricate								•									•	•						
Unit Stand Off Kit	94J45								•	•	•	•	•	•	•	•	•	•	•	•	•	•	•	•	•

¹ Crankcase Heater and Freezestat are recommended with Low Ambient Kit.
F = Factory Installed



SUNSOURCE® - PRE-ENGINEERED KITS

SunSource® Pre-Engineered Kits are available for composition shingle roofs, standing seam roofs, trapezoid metal roofs, flat tile roofs and S tile roofs. See the Sunsource Home Energy System Product Specifications bulletin for complete Pre-Engineered Kits ordering instructions and the Ordering Process Flowchart/Worksheet.


ORDERING

NOTE - Order Solar Modules, Microinverters and Balance of System Separately

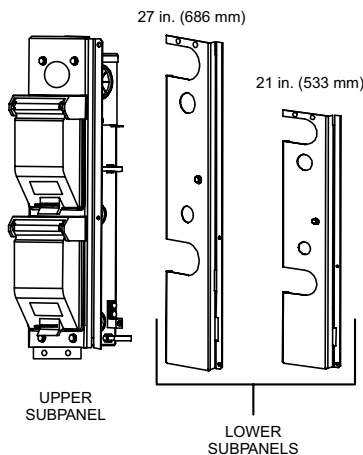
NOTE - Balance of System DOES NOT contain the Solar Modules or Microinverter!
Balance of System **DOES** contain the appropriate number of required Rails, Cables, Splices, Brackets, Clamps, the Solar Module installation.

NOTE - The Lennox® Solar Sub-Panel for the outdoor unit must be ordered separately. See below for ordering information.

Lennox® Solar Sub-Panel

	Order one per outdoor unit. Replaces the outdoor unit piping panel and provides the connection between the solar modules and outdoor unit.	62E02
---	--	--------------

LENNOX® SOLAR SUBPANEL - OUTDOOR UNIT USAGE



Outdoor Unit Model No.	Lower Subpanel Height - in. (mm)	
	21 (533)	27 (686)
SL18XC1-030-036-042	X	
SL18XC1-024-048-060		X
XC17-024	X	
XC17-030-036-042-048-060		X
XC21 (All Sizes)		X
XC25 (All Sizes)		X

NOTE – Due to Lennox’ ongoing commitment to quality, Specifications, Ratings and Dimensions subject to change without notice and without incurring liability. Improper installation, adjustment, alteration, service or maintenance can cause property damage or personal injury. Installation and service must be performed by a qualified installer and servicing agency.



HEAT PUMP OUTDOOR UNITS XP25 DAVE LENNOX SIGNATURE® COLLECTION

PRODUCT CATALOG

R-410A - Variable-Capacity Scroll Compressor
SEER - Up to 23.50
2 to 5 Tons

FEATURES

Refrigerant System

Variable capacity scroll compressor with crankcase heater and sound cover.

Non-chlorine, ozone friendly, R-410A refrigerant.

Super-quiet outdoor fan with SilentComfort™ Technology

Variable-speed outdoor fan motor and specially designed fan blades reduce operating sound levels.

PVC coated, steel fan guard.

Factory installed, hi-capacity liquid line drier

Copper tube construction with enhanced ripple-edged aluminum fins.

Fully serviceable brass service valves

Outdoor unit expansion valve

Four-way interchange reversing valve.

Controls

iComfort® Control communicates information about the furnace to the optional iComfort® thermostat (required).



DC Inverter Control adjusts compressor output in increments as small as 1%.

High Pressure Switch

Low Pressure Switch

Precise Comfort™ Technology

The Variable Capacity Compressor and DC Inverter Control is an integrated system that operates together to reduce overall energy usage when compared to conventional air conditioners.

Cabinet

SmartHinge™ Louvered Coil Protection.

PermaGuard™ zinc-coated base.

Heavy-gauge galvanized steel cabinet with powder paint finish.



iComfort® S30 Thermostat required. Not furnished



SunSource® Solar-Ready Components (order separately)

See page 19

- Lennox Solar Subpanel
- Solar Modules
- Microinverter
- Roof Mounting Kits
- Installation Kits
- Envoy Communications Gateway

NOTE - The Dave Lennox Signature Collection XP25 Heat Pump can only be used with the iComfort® S30 Thermostat.

NOTE - The XP25 can only be matched with iComfort®-enabled variable-speed indoor furnaces and air handlers.

LIMITED WARRANTY

Compressor - ten years

All covered components - ten years

Refer to Lennox Equipment Limited Warranty certificate included with equipment for details

AHRI RATINGS

See AHRI Ratings Supplement

REQUIRED CONTROLS

- iComfort® S30 Thermostat
- Discharge Air Temperature Sensor

ACCESSORIES

See page 17

Cabinet

- Snow Guard

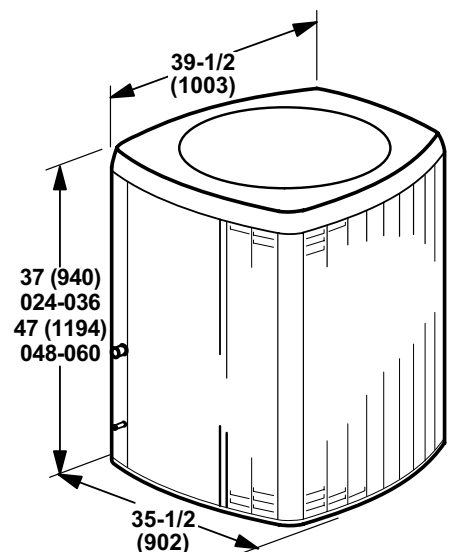
Controls

- Freezestat

Refrigerant System

- Expansion Valve Kits
- Refrigerant Line Kits

DIMENSIONS



NOTE - Due to Lennox' ongoing commitment to quality, Specifications, Ratings and Dimensions subject to change without notice and without incurring liability. Improper installation, adjustment, alteration, service or maintenance can cause property damage or personal injury. Installation and service must be performed by a qualified installer and servicing agency.

SPECIFICATIONS

General Data	Model No.	XP25-024	XP25-036	XP25-048	XP25-060
Nominal Tonnage		2	3	4	5
Indoor Unit Expansion Valve (TXV) (If needed)		12J18	12J19	12J20	12J20
¹ Sound Rating Number (dB)	Min.	58	58	64	64
	Max.	68	73	74	74
Connections (sweat)	Liquid line (o.d.) - in.	3/8	3/8	3/8	3/8
	Vapor line (o.d.) - in.	7/8	7/8	7/8	1-1/8
Refrigerant	² R-410A charge furnished	11 lbs. 5 oz.	11 lbs. 8 oz.	13 lbs. 14 oz.	13 lbs. 0 oz.
Outdoor Fan	Diameter - in.	26	26	26	26
	No. of blades	3	3	3	3
	Motor hp (W)	1/3	1/3	1/3	1/3
Shipping Data - lbs. - 1 pkg.		277	277	341	335

ELECTRICAL DATA

Line voltage data - 60hz - 1 ph		208/230V	208/230V	208/230V	208/230V
³ Maximum overcurrent protection (amps)		25	30	50	50
⁴ Minimum circuit ampacity		15.7	20.3	33.7	34.9
Compressor	Rated load amps	10.3	14.0	24.7	25.7
Outdoor Coil Fan Motor	Full load amps	2.8	2.8	2.8	2.8

REQUIRED COMPONENTS - ORDER SEPARATELY

iComfort® S30 Thermostat		12U67	12U67	12U67	12U67
⁵ Discharge Temperature Sensor		88K38	88K38	88K38	88K38

NOTE - Extremes of operating range are plus 10% and minus 5% of line voltage.

¹ Sound Rating Number in accordance with test conditions included in AHRI Standard 270.

² Refrigerant charge sufficient for 15 ft. length of refrigerant lines. For longer line set requirements see the Installation Instructions for information about line set length and additional refrigerant charge required.

³ HACR type breaker or fuse.

⁴ Refer to National or Canadian Electrical Code manual to determine wire, fuse and disconnect size requirements.

⁵ Optional for service diagnostics.



NOTE – Due to Lennox' ongoing commitment to quality, Specifications, Ratings and Dimensions subject to change without notice and without incurring liability. Improper installation, adjustment, alteration, service or maintenance can cause property damage or personal injury. Installation and service must be performed by a qualified installer and servicing agency.



HEAT PUMP OUTDOOR UNITS XP21 DAVE LENNOX SIGNATURE® COLLECTION

PRODUCT CATALOG

R-410A - Two-Stage Scroll Compressor - SilentComfort™ Technology
SEER - Up to 19.20
2 to 5 Tons

FEATURES

Refrigerant System

- Two-Stage scroll compressor with crankcase heater.
- Non-chlorine, ozone friendly, R-410A refrigerant.
- Super-quiet outdoor fan with SilentComfort™ Technology
- Variable-speed outdoor fan motor and specially designed fan blades reduce operating sound levels.
- PVC coated, steel fan guard.
- Factory installed, hi-capacity liquid line drier
- Copper tube construction with enhanced ripple-edged aluminum fins.
- Fully serviceable brass service valves
- Outdoor unit expansion valve
- Four-way interchange reversing valve.

Controls

iComfort® Control communicates information about the furnace to the optional iComfort® thermostat.



- Intellifrost™ Adaptive Defrost Control
- High Pressure Switch
- Low Pressure Switch
- Discharge Temperature Switch

Cabinet

- SmartHinge™ Louvered Coil Protection.
- PermaGuard™ zinc-coated base.
- Heavy-gauge galvanized steel cabinet with powder paint finish.
- Compressor and control box located in a separate compartment, insulated with thick fiberglass insulation.

LIMITED WARRANTY

- Compressor - ten years
- All covered components - ten years
- Refer to Lennox Equipment Limited Warranty certificate included with equipment for details



SunSource® Solar-Ready Components (order separately)

See page 19

- Lennox Solar Subpanel
- Solar Modules
- Microinverter
- Roof Mounting Kits
- Installation Kits
- Envoy Communications Gateway

Model No.	A
XP21-024 XP21-036	37 (940)
XP21-048 XP21-060	47 (1194)

AHRI RATINGS

See AHRI Ratings Supplement

ACCESSORIES

See page 17

Cabinet

- Snow Guard

Compressor

- Compressor Hard Start Kit
- Compressor Low Ambient Cut-Out

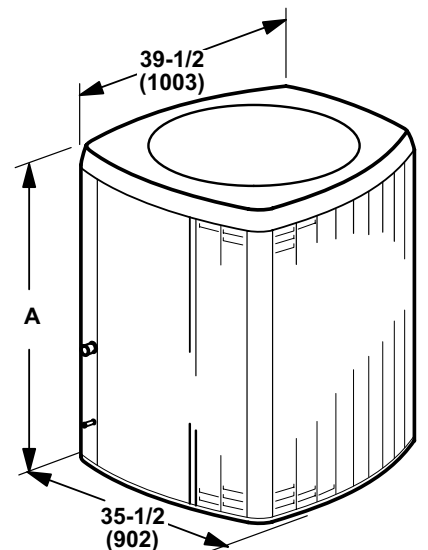
Controls

- iComfort® S30 Thermostat
- ComfortSense® 7500 Thermostat
- Thermostat
- Freezestat
- Indoor Blower Off Delay Relay
- Low Ambient Kit
- Mild Weather Kit
- Monitor Kit (Service Light)
- Outdoor Thermostat Kit

Refrigerant System

- Check/Expansion Valve Kits
- Refrigerant Line Kits

DIMENSIONS



NOTE - Due to Lennox' ongoing commitment to quality, Specifications, Ratings and Dimensions subject to change without notice and without incurring liability. Improper installation, adjustment, alteration, service or maintenance can cause property damage or personal injury. Installation and service must be performed by a qualified installer and servicing agency.

SPECIFICATIONS

General Data	Model No.	XP21-024	XP21-036	XP21-048	XP21-060
Nominal Tonnage		2	3	4	5
Indoor Unit Expansion Valve (TXV) (If needed)		12J18	12J19	12J20	12J20
¹ Sound Rating Number (dB)		67	72	73	73
Connections (sweat)	Liquid line (o.d.) - in.	3/8	3/8	3/8	3/8
	Vapor line (o.d.) - in.	7/8	7/8	7/8	1-1/8
Refrigerant	² R-410A charge furnished	11 lbs. 0 oz.	11 lbs. 0 oz.	13 lbs. 0 oz.	13 lbs. 2 oz.
Outdoor Fan	Diameter - in.	26	26	26	26
	No. of blades	5	5	5	5
	Motor hp (W)	1/3	1/3	1/3	1/3
Shipping Data - lbs. 1 pkg.		297	303	346	381

ELECTRICAL DATA

Line voltage data - 60hz - 1 ph		208/230V	208/230V	208/230V	208/230V
³ Maximum overcurrent protection (amps)		25	35	45	60
⁴ Minimum circuit ampacity		16.6	21.1	28.5	38
Compressor	Rated load amps	11.7	15.3	21.2	28.8
Outdoor Coil Fan Motor	Full load amps	2.0	2.0	2.0	2.0

NOTE - Extremes of operating range are plus 10% and minus 5% of line voltage.

¹ Sound Rating Number in accordance with test conditions included in AHRI Standard 270.

² Refrigerant charge sufficient for 15 ft. length of refrigerant lines.

³ HACR type breaker or fuse.

⁴ Refer to National or Canadian Electrical Code manual to determine wire, fuse and disconnect size requirements.



NOTE - Due to Lennox' ongoing commitment to quality, Specifications, Ratings and Dimensions subject to change without notice and without incurring liability. Improper installation, adjustment, alteration, service or maintenance can cause property damage or personal injury. Installation and service must be performed by a qualified installer and servicing agency.



PRODUCT CATALOG

HEAT PUMP OUTDOOR UNITS SL18XP1

DAVE LENNOX SIGNATURE® COLLECTION

R-410A - Scroll Compressor - SilentComfort™ Technology
SEER - Up to 18.50
2 to 5 Tons

Page 5

January 2016

Supersedes June 2015

FEATURES

Refrigerant System

Scroll Compressor with crankcase heater and sound cover.
Non-chlorine, ozone friendly, R-410A refrigerant.

Lennox Quantum™ Coil - Aluminum tube construction with enhanced ripple-edged aluminum fins.

Super-quiet outdoor fan with SilentComfort™ Technology

Variable-speed outdoor fan motor and specially designed fan blades reduce operating sound levels.

PVC coated, steel fan guard.

Factory installed, hi-capacity liquid line drier

Fully serviceable brass service valves

Outdoor unit expansion valve

Four-way interchange reversing valve.

Controls

iComfort® Control communicates information about the furnace to the optional iComfort® thermostat.



Intellifrost™ Adaptive Defrost Control

High Pressure Switch

Low Pressure Switch

Discharge Temperature Switch

Cabinet

SmartHinge™ Louvered Coil Protection.

PermaGuard™ zinc-coated base.

Heavy-gauge galvanized steel cabinet with powder paint finish.



SunSource® Solar-Ready Components (order separately)

See page 19

- Lennox Solar Subpanel
- Solar Modules
- Microinverter
- Roof Mounting Kits
- Installation Kits and Tools
- Envoy Communications Gateway

Model No.	A
SL18XP1-024 SL18XP1-030	37 (940)
SL18XP1-036 SL18XP1-042	41 (1041)
SL18XP1-048 SL18XP1-060	47 (1194)

AHRI RATINGS

See AHRI Ratings Supplement

ACCESSORIES

See page 17

Cabinet

- Snow Guard

Compressor

- Compressor Hard Start Kit
- Compressor Low Ambient Cut-Out

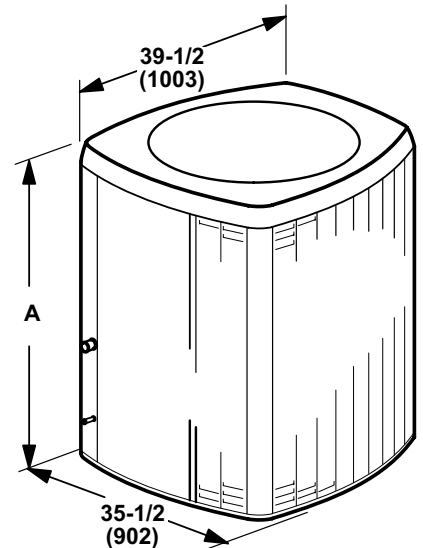
Controls

- iComfort® S30 Thermostat
- ComfortSense® 7500 Thermostat
- Thermostat
- Freezestat
- Indoor Blower Off Delay Relay
- Low Ambient Kit
- Mild Weather Kit
- Monitor Kit (Service Light)
- Outdoor Thermostat Kit

Refrigerant System

- Check/Expansion Valve Kits
- Refrigerant Line Kits

DIMENSIONS



LIMITED WARRANTY

Compressor - ten years

All covered components - ten years

Refer to Lennox Equipment Limited Warranty certificate included with equipment for details

NOTE - Due to Lennox' ongoing commitment to quality, Specifications, Ratings and Dimensions subject to change without notice and without incurring liability. Improper installation, adjustment, alteration, service or maintenance can cause property damage or personal injury. Installation and service must be performed by a qualified installer and servicing agency.

SPECIFICATIONS

General Data		Model No.	SL18XP1-024	SL18XP1-030	SL18XP1-036	SL18XP1-042	SL18XP1-048	SL18XP1-060
Nominal Tonnage			2	2.5	3	3.5	4	5
Indoor Unit Expansion Valve (TXV) (If needed)			12J18	12J18	12J19	12J20	12J20	12J20
¹ Sound Rating Number (dB)			67	69	70	70	70	73
Connections (sweat)	Liquid line (o.d.) - in.		3/8	3/8	3/8	3/8	3/8	3/8
	Vapor (Suction) line (o.d.) - in.		3/4	3/4	7/8	7/8	7/8	1-1/8
Refrigerant ² R-410A charge furnished			8 lbs. 11 oz.	8 lbs. 11 oz.	9 lbs. 14 oz.	9 lbs. 11 oz.	11 lbs. 0 oz.	10 lbs. 5 oz.
Outdoor Fan		Diameter - in.	26	26	26	26	26	26
		No. of blades	3	3	3	3	3	3
		Motor hp	1/3	1/3	1/3	1/3	1/3	1/3
		Cfm	2600	2800	3650	3650	4000	4300
		Rpm	730	800	800	800	800	875
		Watts	65	85	160	160	160	200
Shipping Data - lbs. 1 pkg.			253	257	271	294	319	321

ELECTRICAL DATA

Line voltage data - 60hz - 1 ph		208/230V	208/230V	208/230V	208/230V	208/230V	208/230V
² Maximum overcurrent protection (amps)		25	30	35	40	45	60
³ Minimum circuit ampacity		20.0	20.0	22.0	25.2	26.8	32.4
Compressor	Rated load amps	10.9	13.5	15.4	17.9	19.2	23.7
	Locked rotor amps	59.3	72.5	83.9	112.0	117.0	152.5
	Power factor	0.98	0.98	0.98	0.97	0.97	0.98
Outdoor Fan Motor	Full load amps	2.8	2.8	2.8	2.8	2.8	2.8

NOTE – Extremes of operating range are plus 10% and minus 5% of line voltage.

¹ Sound Rating Number in accordance with test conditions included in AHRI Standard 270.

² Refrigerant charge sufficient for 15 ft. length of refrigerant lines.

³ HACR type breaker or fuse.

⁴ Refer to National or Canadian Electrical Code manual to determine wire, fuse and disconnect size requirements.



NOTE – Due to Lennox' ongoing commitment to quality, Specifications, Ratings and Dimensions subject to change without notice and without incurring liability. Improper installation, adjustment, alteration, service or maintenance can cause property damage or personal injury. Installation and service must be performed by a qualified installer and servicing agency.



HEAT PUMP OUTDOOR UNITS XP17

DAVE LENNOX SIGNATURE® COLLECTION

R-410A - Scroll Compressor - SilentComfort™ Technology
SEER - Up to 17.50
2 to 5 Tons

Page 7

January 2016

Supersedes June 2015

PRODUCT CATALOG

FEATURES

Refrigerant System

Scroll Compressor with crankcase heater and sound cover
Non-chlorine, ozone friendly, R-410A refrigerant

Super-quiet outdoor fan with SilentComfort™ Technology

Variable-speed outdoor fan motor and specially designed fan blades reduce operating sound levels.

PVC coated, steel fan guard.

Factory installed, hi-capacity liquid line drier

Copper tube construction with enhanced ripple-edged aluminum fins.

Fully serviceable brass service valves

Outdoor unit expansion valve

Four-way interchange reversing valve.

Controls

iComfort® Control communicates information about the furnace to the optional iComfort® thermostat. So simple. So smart. So comfortable.



Intellifrost™ Adaptive Defrost Control

High Pressure Switch

Low Pressure Switch

Discharge Temperature Switch

Cabinet

SmartHinge™ Louvered Coil Protection.

PermaGuard™ zinc-coated base.

Heavy-gauge galvanized steel cabinet with powder paint finish.

Compressor and control box located in a separate compartment, insulated with thick fiberglass insulation.

LIMITED WARRANTY

Compressor - ten years

All covered components - ten years

Refer to Lennox Equipment Limited Warranty certificate included with equipment for details



SunSource® Solar-Ready Components (order separately)

See page 19

- Lennox Solar Subpanel
- Solar Modules
- Microinverter
- Roof Mounting Kits
- Installation Kits and Tools
- Envoy Communications Gateway

Model No.	A
XP17-024 XP17-030 XP17-036 XP17-042	37 (940)
XP17-048 XP17-060	47 (1194)

AHRI RATINGS

See AHRI Ratings Supplement

ACCESSORIES

See page 17

Cabinet

- Snow Guard

Compressor

- Compressor Hard Start Kit
- Compressor Low Ambient Cut-Out

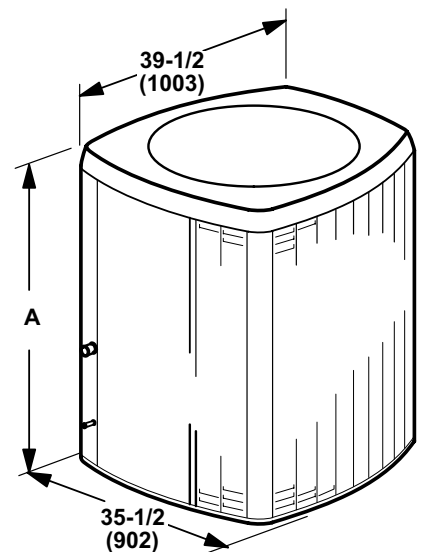
Controls

- iComfort® S30 Thermostat
- ComfortSense® 7500 Thermostat
- Thermostat
- Freezestat
- Indoor Blower Off Delay Relay
- Low Ambient Kit
- Mild Weather Kit
- Monitor Kit (Service Light)
- Outdoor Thermostat Kit

Refrigerant System

- Check/Expansion Valve Kits
- Refrigerant Line Kits

DIMENSIONS



NOTE - Due to Lennox' ongoing commitment to quality, Specifications, Ratings and Dimensions subject to change without notice and without incurring liability. Improper installation, adjustment, alteration, service or maintenance can cause property damage or personal injury. Installation and service must be performed by a qualified installer and servicing agency.

SPECIFICATIONS

General Data	Model No.	XP17-024	XP17-030	XP17-036	XP17-042	XP17-048	XP17-060
Nominal Tonnage		2	2.5	3	3.5	4	5
Indoor Unit Expansion Valve (TXV) (If needed)		21J18	12J18	12J19	12J20	12J20	12J20
¹ Sound Rating Number (dB)		63	67	71	72	73	73
Connections (sweat)	Liquid line (o.d.) - in.	3/8	3/8	3/8	3/8	3/8	3/8
	Vapor (Suction) line (o.d.) - in.	3/4	3/4	7/8	7/8	7/8	1-1/8
Refrigerant	² R-410A charge furnished	9 lbs. 10 oz.	9 lbs. 12 oz.	10 lbs. 2 oz.	11 lbs. 0 oz.	14 lbs. 0 oz.	14 lbs. 8 oz.
Outdoor Fan	Diameter - in.	26	26	26	26	26	26
	No. of blades	5	5	5	5	5	5
	Motor hp	1/3	1/3	1/3	1/3	1/3	1/3
Shipping Data - lbs. 1 pkg.		287	287	288	312	349	356

ELECTRICAL DATA

Line voltage data - 60hz - 1 ph	208/230V	208/230V	208/230V	208/230V	208/230V	208/230V	
³ Maximum overcurrent protection (amps)	30	30	35	40	50	60	
⁴ Minimum circuit ampacity	20.0	20.0	22.9	24.4	29.3	35.0	
Compressor	Rated load amps	13.5	14.1	16.7	17.9	21.8	26.4
Outdoor Fan Motor	Full load amps	2	2	2	2	2	2

NOTE – Extremes of operating range are plus 10% and minus 5% of line voltage.

¹ Sound Rating Number in accordance with test conditions included in AHRI Standard 270.

² Refrigerant charge sufficient for 15 ft. length of refrigerant lines.

³ HACR type breaker or fuse.

⁴ Refer to National or Canadian Electrical Code manual to determine wire, fuse and disconnect size requirements.



NOTE – Due to Lennox' ongoing commitment to quality, Specifications, Ratings and Dimensions subject to change without notice and without incurring liability. Improper installation, adjustment, alteration, service or maintenance can cause property damage or personal injury. Installation and service must be performed by a qualified installer and servicing agency.



HEAT PUMP OUTDOOR UNITS XP20 ELITE® SERIES

PRODUCT CATALOG

R-410A - Variable-Capacity Scroll Compressor
SEER - Up to 20.00
2 to 5 Tons

FEATURES

Refrigerant System

- Variable capacity scroll compressor with crankcase heater.
- Non-chlorine, ozone friendly, R-410A refrigerant.
- Variable-Speed Outdoor Coil Fan Motor With Integrated Control is programmed for variable capacity operation. Fan speed is directly controlled by the iComfort® communications between the outdoor unit iComfort® control and the iComfort® Thermostat.
- PVC coated, steel fan guard.
- Factory installed, hi-capacity liquid line drier
- Copper tube construction with enhanced ripple-edged aluminum fins.
- Fully serviceable brass service valves
- Outdoor unit expansion valve
- Four-way interchange reversing valve.

Controls

- iComfort® Control communicates information about the furnace to the optional iComfort® thermostat (required).
- High Pressure Switch
- Low Pressure Switch
- Discharge Temperature Switch
- Defrost control with integrated anti-short cycle.

Precise Comfort™ Technology

The Variable Capacity Compressor and DC Inverter Control is an integrated system that operates together to reduce overall energy usage when compared to conventional heat pumps.

Cabinet

- SmartHinge™ Louvered Coil Protection.
- PermaGuard™ zinc-coated base.
- Heavy-gauge galvanized steel cabinet with powder paint finish.



iComfort® S30 Thermostat required. Not furnished

NOTE - The XP20 Heat Pump can only be used with the iComfort® S30 Thermostat.

NOTE - The XP20 can only be matched with iComfort®-enabled variable-speed indoor furnaces and air handlers.

LIMITED WARRANTY

Compressor - ten years
All covered components - five years
Refer to Lennox Equipment Limited Warranty certificate included with equipment for details

Model No.	A	B	C
XP20-024	39 (991)	35-1/2 (902)	39-1/2 (1003)
XP20-036	39 (991)	35-1/2 (902)	39-1/2 (1003)
XP20-048	45 (1143)	35-1/2 (902)	39-1/2 (1003)
XP20-060	45 (1143)	35-1/2 (902)	39-1/2 (1003)

AHRI RATINGS

See AHRI Ratings Supplement

REQUIRED CONTROLS

- iComfort® S30 Thermostat
- Discharge Air Temperature Sensor

ACCESSORIES

See page 17

Cabinet

- Snow Guard

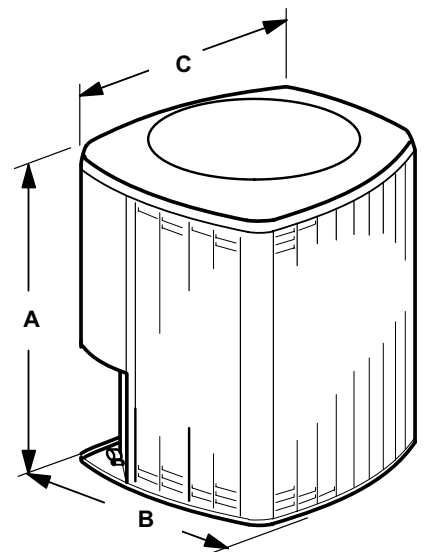
Controls

- Frezestat

Refrigerant System

- Check/Expansion Valve Kits
- Refrigerant Line Kits

DIMENSIONS



NOTE - Due to Lennox' ongoing commitment to quality, Specifications, Ratings and Dimensions subject to change without notice and without incurring liability. Improper installation, adjustment, alteration, service or maintenance can cause property damage or personal injury. Installation and service must be performed by a qualified installer and servicing agency.

SPECIFICATIONS

General Data		Model No.	XP20-024	XP20-036	XP20-048	XP20-060
Nominal Tonnage			2	3	4	5
Indoor Unit Expansion Valve (TXV) (If needed)			12J18	12J19	12J20	12J20
¹ Sound Rating Number (dB)	Min.		65	67	68	69
	Max.		72	75	75	75
Connections (sweat)	Liquid line (o.d.) - in.		3/8	3/8	3/8	3/8
	Vapor line (o.d.) - in.		3/4	7/8	7/8	1-1/8
Refrigerant	² R-410A charge furnished		7 lbs. 9 oz.	10 lbs. 11 oz.	12 lbs. 11 oz.	13 lbs. 15 oz.
Outdoor Fan	Diameter - in.		26	26	26	26
	No. of blades		3	3	3	3
	Motor hp (W)		1/3	1/3	1/3	1/3
Shipping Data - lbs. - 1 pkg.			247	280	326	330

ELECTRICAL DATA

Line voltage data - 60hz		208/230V-1ph	208/230V-1ph	208/230V-1ph	208/230V-1ph
³ Maximum overcurrent protection (amps)		30	35	50	60
⁴ Minimum circuit ampacity		19.1	20.8	29.3	34.9
Compressor	Rated load amps	13.0	14.4	21.2	25.7
Outdoor Coil Fan Motor - Full load amps		2.8	2.8	2.8	2.8

REQUIRED COMPONENTS - ORDER SEPARATELY

iComfort® S30 Thermostat	12U67	•	•	•	•
iComfort Wi-Fi® Thermostat	10F81	•	•	•	•
⁴ Discharge Temperature Sensor	88K38	•	•	•	•

NOTE - Extremes of operating range are plus 10% and minus 5% of line voltage.

¹ Sound Rating Number in accordance with test conditions included in AHRI Standard 270.

² Refrigerant charge sufficient for 15 ft. length of refrigerant lines. For longer line set requirements see the Installation Instructions for information about line set length and additional refrigerant charge required.

³ HACR type breaker or fuse.

⁴ Refer to National or Canadian Electrical Code manual to determine wire, fuse and disconnect size requirements.



NOTE - Due to Lennox' ongoing commitment to quality, Specifications, Ratings and Dimensions subject to change without notice and without incurring liability. Improper installation, adjustment, alteration, service or maintenance can cause property damage or personal injury. Installation and service must be performed by a qualified installer and servicing agency.



HEAT PUMP OUTDOOR UNITS XP16 ELITE® SERIES

PRODUCT CATALOG

R-410A - Two-Stage Scroll Compressor
SEER - Up to 17.00
2 to 5 Tons

Page 11
January 2016
Supersedes June 2015

FEATURES

Refrigerant System

- Two-Stage scroll compressor with crankcase heater
- Non-chlorine, ozone friendly, R-410A refrigerant.
- PVC coated, steel fan guard.
- Factory installed, hi-capacity liquid line drier
- Copper tube construction with enhanced ripple-edged aluminum fins.
- Fully serviceable brass service valves
- Outdoor unit expansion valve
- Four-way interchange reversing valve.

Controls

- High Pressure Switch
- Low Pressure Switch
- Discharge Temperature Switch
- Defrost control with integrated anti-short cycle.

Cabinet

- SmartHinge™ Louvered Coil Protection.
- PermaGuard™ zinc-coated base.
- Heavy-gauge galvanized steel cabinet with powder paint finish.



AHRI RATINGS

See AHRI Ratings Supplement

ACCESSORIES

See page 17

Cabinet

- Snow Guard

Compressor

- Compressor Hard Start Kit
- Compressor Low Ambient Cut-Out

Controls

- Freezestat
- Low Ambient Kit
- Indoor Blower Off Delay Relay
- Indoor Blower Speed Relay Kit
- Mild Weather Kit
- Monitor Kit (Service Light)
- Outdoor Thermostat Kit
- ComfortSense® 7500 Thermostat
- Thermostat

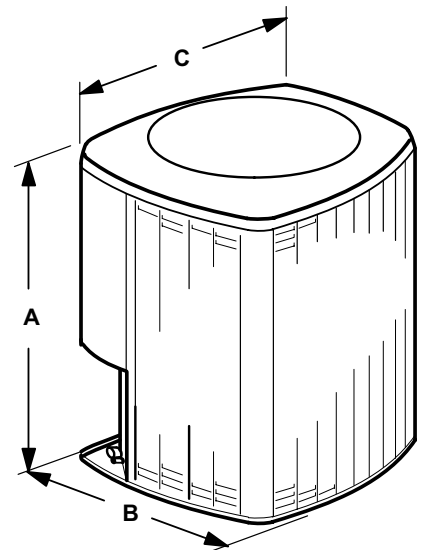
Refrigerant System

- Check/Expansion Valve Kits
- Refrigerant Line Kits

LIMITED WARRANTY

Compressor - ten years
All covered components - five years
Refer to Lennox Equipment Limited Warranty certificate included with equipment for details

Model No.	A	B	C
XP16-024	35 (889)	27 (729)	28 (711)
XP16-036	35 (889)	35-1/2 (902)	39-1/2 (1003)
XP16-048	35 (889)	35-1/2 (902)	39-1/2 (1003)
XP16-060	45 (1143)	35-1/2 (902)	39-1/2 (1003)



DIMENSIONS

NOTE - Due to Lennox' ongoing commitment to quality, Specifications, Ratings and Dimensions subject to change without notice and without incurring liability. Improper installation, adjustment, alteration, service or maintenance can cause property damage or personal injury. Installation and service must be performed by a qualified installer and servicing agency.

SPECIFICATIONS

General Data	Model No.	XP16-024	XP16-036	XP16-048	XP16-060
	Nominal Tonnage		2	3	4
Indoor Unit Expansion Valve (TXV) (If needed)		12J18	12J19	12J20	12J20
¹ Sound Rating Number (dB)		74	76	76	78
Connections (sweat)	Liquid line (o.d.) - in.	3/8	3/8	3/8	3/8
	Vapor line (o.d.) - in.	3/4	7/8	7/8	1-1/8
Refrigerant	¹ R-410A charge furnished	8 lbs. 11 oz.	10 lbs. 6 oz.	10 lbs. 9 oz.	11 lbs. 8 oz.
Outdoor Fan	Diameter - in.	18	22	26	26
	No. of blades	3	4	3	3
	Motor hp	1/10	1/4	1/3	1/3
Shipping Data	lbs. - 1 package	222	273	294	353

ELECTRICAL DATA

Line voltage data - 60hz - 1 ph	⁵ 208/230V	⁵ 208/230V	⁵ 208/230V	⁵ 208/230V
³ Maximum overcurrent protection (amps)	25	35	45	60
⁴ Minimum circuit ampacity	15.3	20.8	28.3	36.8
Compressor Rated load amps	11.70	15.30	21.20	27.10
Outdoor Coil Fan Motor Full load amps	0.7	1.7	1.8	2.8

NOTE – Extremes of operating range are plus 10% and minus 5% of line voltage.

¹ Sound Rating Number in accordance with test conditions included in AHRI Standard 270.

² Refrigerant charge sufficient for 15 ft. length of refrigerant lines.

³ HACR type breaker or fuse.

⁴ Refer to National or Canadian Electrical Code manual to determine wire, fuse and disconnect size requirements.

⁵ Hard start kit is required in applications where the supply voltage is less than 230V.



NOTE – Due to Lennox' ongoing commitment to quality, Specifications, Ratings and Dimensions subject to change without notice and without incurring liability. Improper installation, adjustment, alteration, service or maintenance can cause property damage or personal injury. Installation and service must be performed by a qualified installer and servicing agency.



HEAT PUMP OUTDOOR UNITS XP14 ELITE® SERIES

PRODUCT CATALOG

R-410A
SEER - Up to 16.50
1.5 to 5 Tons

Page 13
January 2016
Supersedes June 2015

FEATURES

Refrigerant System

- Scroll compressor with sound cover
- Crankcase Heater (-036-042-048-060)
- Non-chlorine, ozone friendly, R-410A refrigerant.
- Copper tube construction with enhanced ripple-edged aluminum fins.
- Fully serviceable brass service valves.
- Factory installed, hi-capacity liquid line drier
- Outdoor unit expansion valve
- Four-Way interchange reversing valve
- Totally enclosed, direct drive outdoor fan motor with sleeve bearings.
- PVC coated, steel fan guard.

Controls

- High Pressure Switch.
- Low Pressure Switch.
- Defrost Control with integrated anti-short cycle.

Cabinet

- SmartHinge™ Louvered Coil Protection.
- PermaGuard™ zinc-coated base.
- Heavy-gauge galvanized steel cabinet with powder paint finish.
- Corner patch plate allows access to compressor.



AHRI RATINGS

See AHRI Ratings Supplement

ACCESSORIES

See page 17

Compressor

- Compressor Crankcase Heater (-018-024-030)
- Compressor Hard Start Kit
- Compressor Low Ambient Cut-Off

Controls

- Freezestat
- Indoor Blower Off Delay Relay
- Low Ambient Kit
- Mild Weather Kit
- Outdoor Thermostat Kit
- Thermostat

Refrigerant System

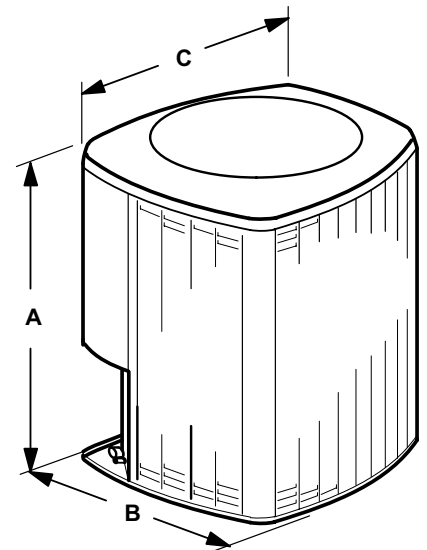
- Check/Expansion Valve Kits
- Refrigerant Line Kits

LIMITED WARRANTY

Compressor - ten years
All covered components - five years
Refer to Lennox Equipment Limited Warranty certificate included with equipment for details

Model No.	A	B	C
XP14-018	39 (991)	30-1/2 (775)	35 (889)
XP14-024	39 (991)	30-1/2 (775)	35 (889)
XP14-030	39 (991)	30-1/2 (775)	35 (889)
XP14-036	35 (889)	30-1/2 (775)	35 (889)
XP14-042	39 (991)	35-1/2 (902)	39-1/2 (1003)
XP14-048	39 (991)	35-1/2 (902)	39-1/2 (1003)
XP14-060	45 (1143)	35-1/2 (902)	39-1/2 (1003)

DIMENSIONS



NOTE - Due to Lennox' ongoing commitment to quality, Specifications, Ratings and Dimensions subject to change without notice and without incurring liability. Improper installation, adjustment, alteration, service or maintenance can cause property damage or personal injury. Installation and service must be performed by a qualified installer and servicing agency.

SPECIFICATIONS

General Data	Model No.	XP14-018	XP14-024	XP14-030	XP14-036	XP14-042	XP14-048	XP14-060
Nominal Tonnage		1.5	2	2.5	3	3.5	4	5
Indoor Unit Expansion Valve (TXV) (If needed)		12J18	12J18	12J18	12J19	12J20	12J20	12J20
¹ Sound Rating Number (dB)		71	71	71	71	71	73	73
Connections (sweat)	Liquid line o.d. - in.	3/8	3/8	3/8	3/8	3/8	3/8	3/8
	Vapor line o.d. - in.	3/4	3/4	3/4	7/8	7/8	7/8	1-1/8
¹ Refrigerant	R-410A charge furnished	5 lbs. 11 oz.	5 lbs. 14 oz.	5 lbs. 10 oz.	9 lbs. 6 oz.	11 lbs. 14 oz.	10 lbs. 7 oz.	12 lbs. 11 oz.
Outdoor Fan	Diameter - in.	22	22	22	22	26	26	26
	No. of Blades	3	3	3	3	4	4	4
	Motor hp	1/6	1/6	1/6	1/6	1/3	1/3	1/3
Shipping Data	lbs. - 1 package	213	213	213	236	310	312	339

ELECTRICAL DATA

Line voltage data - 60 hz - 1ph	208/230V	208/230V	208/230V	208/230V	208/230V	208/230V	208/230V	208/230V
² Maximum overcurrent protection (amps)	20	30	30	30	40	50	50	50
³ Minimum circuit ampacity	12.2	17.9	17.4	18.7	24.2	29.0	29.4	29.4
Compressor Rated Load Amps	9.0	13.5	13.1	14.08	17.92	21.76	22.10	22.10
Outdoor Fan Motor Full Load Amps	1.0	1.1	1.1	1.1	1.8	1.8	1.8	1.8

NOTE – Extremes of operating range are plus 10% and minus 5% of line voltage.

¹ Sound Rating Number in accordance with test conditions included in AHRI Standard 270.

² Refrigerant charge sufficient for 15 ft. length of refrigerant lines.

³ HACR type breaker or fuse.

⁴ Refer to National or Canadian Electrical Code manual to determine wire, fuse and disconnect size requirements.



NOTE – Due to Lennox' ongoing commitment to quality, Specifications, Ratings and Dimensions subject to change without notice and without incurring liability. Improper installation, adjustment, alteration, service or maintenance can cause property damage or personal injury. Installation and service must be performed by a qualified installer and servicing agency.



HEAT PUMP OUTDOOR UNITS 14HPX MERIT® SERIES

PRODUCT CATALOG

R-410A
SEER - Up to 16.00
1.5 to 5 Tons

Page 15
January 2016
Supersedes June 2015

FEATURES

Refrigerant System

- Scroll Compressor
- Compressor crankcase heater (-036-042-48-060)
- Non-chlorine, ozone friendly, R-410A refrigerant.
- Copper tube construction with enhanced ripple-edged aluminum fins.
- Fully serviceable brass service valves
- Factory installed, hi-capacity liquid line drier
- Totally enclosed, direct drive outdoor fan motor with sleeve bearings.
- Louvered steel top fan guard.
- Outdoor unit expansion valve
- Four-way interchange reversing valve.

Controls

- Defrost control with integrated anti-short cycle.
- High Pressure Switch

Cabinet

- Steel louvered panels provide complete coil protection.
- PermaGuard™ zinc-coated base.
- Heavy-gauge galvanized steel cabinet with powder paint finish.
- Corner patch plate allows access to compressor.



LIMITED WARRANTY

Compressor - five years
All covered components - five years
Refer to Lennox Equipment Limited Warranty certificate included with equipment for details

Model No.	A	B
14HPX-018	37-1/4 (946)	28-1/4 (718)
14HPX-024 14HPX-030	37-1/4 (946)	28-1/4 (718)
14HPX-036	33-1/4 (845)	28-1/4 (718)
14HPX-042 14HPX-048	37-1/4 (946)	32-1/4 (819)
14HPX-060	43-1/4 (1099)	32-1/4 (819)

AHRI RATINGS

See AHRI Ratings Supplement

ACCESSORIES

See page 18

Cabinet

- Mounting Base
- Unit Stand-off Kit

Compressor

- Compressor Crankcase Heater (-018-024-030)
- Compressor Hard Start Kit
- Compressor Low Ambient Cut-Off
- Compressor Sound Cover

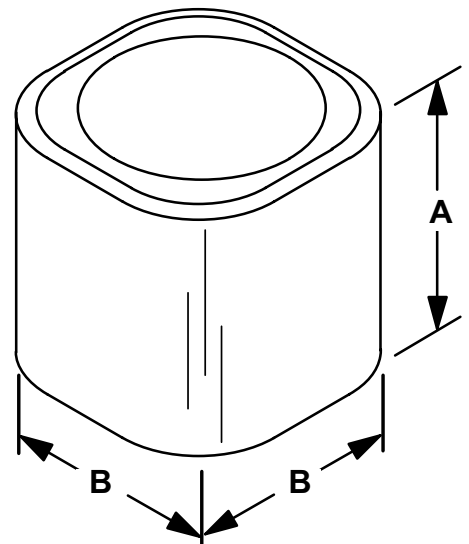
Controls

- Freezestat
- Indoor Blower Off Delay Relay
- Loss of Charge Switch
- Low Ambient Kit / Mild Weather Kit
- Monitor Kit (Service Light)
- Outdoor Thermostat Kit
- Thermostat

Refrigerant System

- Check/Expansion Valve Kits
- Refrigerant Line Kits

DIMENSIONS



NOTE - Due to Lennox' ongoing commitment to quality, Specifications, Ratings and Dimensions subject to change without notice and without incurring liability. Improper installation, adjustment, alteration, service or maintenance can cause property damage or personal injury. Installation and service must be performed by a qualified installer and servicing agency.

SPECIFICATIONS

General Data	Model No.	14HPX-018	14HPX-024	14HPX-030
	Nominal Tonnage		1.5	2
Indoor Unit Expansion Valve (TXV) (If needed)		12J18	12J18	12J18
¹ Sound Rating Number (dB)		76	76	76
Connections (sweat)	Liquid line o.d. - in.	3/8	3/8	3/8
	Vapor line o.d. - in.	3/4	3/4	3/4
² Refrigerant	R-410A charge furnished	5 lbs. 11 oz.	5 lbs. 14 oz.	5 lbs. 10 oz.
Outdoor Fan	Diameter - in.	22	22	22
	No. of Blades	3	3	3
	Motor hp	1/6	1/6	1/6
Shipping Data	lbs. - 1 package	165	177	177

ELECTRICAL DATA

Line voltage data - 60 hz - 1ph	208/230V	208/230V	208/230V
³ Maximum overcurrent protection (amps)	20	30	25
⁴ Minimum circuit ampacity	12.2	17.9	17.1
Compressor Rated Load Amps	8.96	13.50	12.80
Outdoor Fan Motor Full Load Amps	1.0	1.1	1.1

NOTE – Extremes of operating range are plus 10% and minus 5% of line voltage.

¹ Sound Rating Number in accordance with test conditions included in AHRI Standard 270.

² Refrigerant charge sufficient for 15 ft. length of refrigerant lines.

³ HACR type breaker or fuse.

⁴ Refer to National or Canadian Electrical Code manual to determine wire, fuse and disconnect size requirements.

SPECIFICATIONS

General Data	Model No.	14HPX-036	14HPX-042	14HPX-048	14HPX-060
	Nominal Tonnage		3	3.5	4
Indoor Unit Expansion Valve (TXV) (If needed)		12J19	12J20	12J20	12J20
¹ Sound Rating Number (dB)		79	79	80	80
Connections (sweat)	Liquid line o.d. - in.	3/8	3/8	3/8	3/8
	Vapor line o.d. - in.	7/8	7/8	7/8	7/8
² Refrigerant	R-410A charge furnished	9 lbs. 6 oz.	11 lbs. 14 oz.	10 lbs. 7 oz.	12 lbs. 11 oz.
Outdoor Fan	Diameter - in.	22	22	22	22
	No. of Blades	3	4	4	4
	Motor hp	1/6	1/3	1/3	1/3
Shipping Data	lbs. - 1 package	202	272	273	295

ELECTRICAL DATA

Line voltage data - 60 hz - 1ph	208/230V	208/230V	208/230V	208/230V
³ Maximum overcurrent protection (amps)	30	40	50	50
⁴ Minimum circuit ampacity	18.7	24.2	29.0	29.4
Compressor Rated Load Amps	14.10	17.92	21.76	22.1
Outdoor Fan Motor Full Load Amps	1.1	1.8	1.8	1.8

NOTE – Extremes of operating range are plus 10% and minus 5% of line voltage.

¹ Sound Rating Number in accordance with test conditions included in AHRI Standard 270.

² Refrigerant charge sufficient for 15 ft. length of refrigerant lines.

³ HACR type breaker or fuse.

⁴ Refer to National or Canadian Electrical Code manual to determine wire, fuse and disconnect size requirements.



Intertek

NOTE – Due to Lennox' ongoing commitment to quality, Specifications, Ratings and Dimensions subject to change without notice and without incurring liability. Improper installation, adjustment, alteration, service or maintenance can cause property damage or personal injury. Installation and service must be performed by a qualified installer and servicing agency.



OPTIONAL ACCESSORIES - ORDER SEPARATELY

			14HPX						
			-018	-024	-030	-036	-042	-048	-060
¹ Compressor Crankcase Heater	93M04		•	•	•				
	Factory				F	F	F	F	
Compressor Hard Start Kit	10J42		•						
	88M91			•	•	•	•	•	•
Compressor Low Ambient Cut-Off	45F08		•	•	•	•	•	•	
Compressor Sound Cover	27W55		•	•	•	•			
	27W56					•	•	•	
¹ Freezestat	3/8 in. tubing	93G35	•	•	•	•	•	•	
	5/8 in. tubing	50A93	•	•	•	•	•	•	
Indoor Blower Off Delay Relay		58M81	•	•	•	•	•	•	
¹ Low Ambient Kit		54M89	•	•	•	•	•	•	
Loss of Charge Kit		84M23	•	•	•	•	•	•	
Mild Weather Kit		33M07	•	•	•	•	•	•	
Monitor Kit - Service Light		76F53	•	•	•	•	•	•	
Mounting Base		69J06	•	•	•				
		69J07				•	•	•	
Outdoor Thermostat Kit	Thermostat	56A87	•	•	•	•	•	•	
	Mounting Box	31461	•	•	•	•	•	•	
Refrigerant Line Sets	L15-41-20	L15-41-40	•	•	•				
	L15-41-30	L15-41-50							
	L15-65-30	L15-65-40 L15-65-50				•	•	•	
Unit Stand-Off Kit		94J45	•	•	•	•	•	•	

¹ Crankcase Heater (if not furnished) and Freezestat are recommended with Low Ambient Kit.



SUNSOURCE® - PRE-ENGINEERED KITS

SunSource® Pre-Engineered Kits are available for composition shingle roofs, standing seam roofs, trapezoid metal roofs, flat tile roofs and S tile roofs. See the Sunsource Home Energy System Product Specifications bulletin for complete Pre-Engineered Kits ordering instructions and the Ordering Process Flowchart/Worksheet.


ORDERING

NOTE - Order Solar Modules, Microinverters and Balance of System Separately

NOTE - Balance of System DOES NOT contain the Solar Modules or Microinverter!
Balance of System **DOES** contain the appropriate number of required Rails, Cables, Splices, Brackets, Clamps, the Solar Module installation.

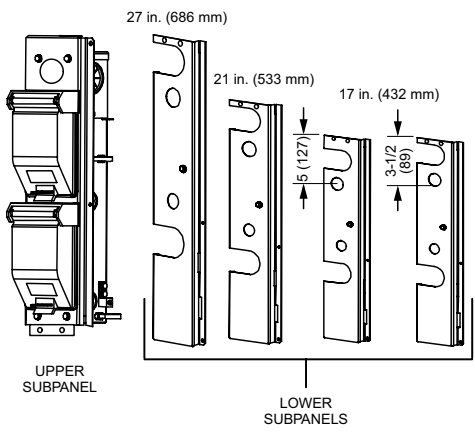
NOTE - The Lennox® Solar Sub-Panel for the outdoor unit must be ordered separately. See below for ordering information.

Lennox® Solar Sub-Panel

	Order one per outdoor unit. Replaces the outdoor unit piping panel and provides the connection between the solar modules and outdoor unit.	62E02
---	--	--------------

LENNOX® SOLAR SUBPANEL - OUTDOOR UNIT USAGE

Outdoor Unit Model No.	Lower Subpanel Height - in. (mm)			
	17 (432) (Top hole 3-1/2 in. on center from top edge)	17 (432) (Top hole 5 in. on center from top edge)	21 (533)	27 (686)
SL18XP1-024-030	X			
SL18XP1-036-042			X	
SL18XP1-048-060				X
XP17-024-030-036-042	X			
XP17-048-060				X
XP21-024-036	X			
XP21-048-060				X
XP25-024-036		X		
XP25-048-060				X



NOTE – Due to Lennox’ ongoing commitment to quality, Specifications, Ratings and Dimensions subject to change without notice and without incurring liability. Improper installation, adjustment, alteration, service or maintenance can cause property damage or personal injury. Installation and service must be performed by a qualified installer and servicing agency.



PRODUCT CATALOG

FEATURES

All SunSource® Solar-Ready, Dave Lennox *Signature®* Collection air conditioners and heat pumps are upgradable to the SunSource® Home Energy System.

Units can be upgraded at the time of installation or in the future.

Solar energy is first used to meet cooling/heating demands. When the cooling and heating system is not operating, the system powers lighting, appliances and other electronic devices in the home. And in some locations, any surplus power is sent back to the utility company for a possible credit (check with your local utility company for availability).

The SunSource system consists of the following components:

- Lennox Solar Sub-Panel field installed in a Dave Lennox *Signature®* Collection air conditioner or heat pump unit.
- SolarWorld Pre-Engineered Kits consisting of:
 - SolarWorld Solar Modules (4 to 16 may be used to vary the amount of electricity generated).
 - Enphase Microinverter that converts Direct Current to Alternating Current.
 - Enphase Envoy Communications Gateway for solar power performance monitoring.
- Roof Mounting Components

Wiring from the roof mounted solar modules is routed to the outdoor unit. From there power travels to the home electrical service panel using the existing outdoor unit power wiring.

APPROVALS

The SunSource® Home Energy System meets the requirements for federal tax credit eligibility listed under the U.S. Emergency Economic Stabilization Act of 2008, covering 30% of the cost of the solar modules, including installation.



LIMITED WARRANTY

Solar Modules - 10-year limited warranty. 25-year limited performance guarantee that covers a 97% output for one year and an annual solar module output decline of less than 0.7% for 24 years.

Enphase Microinverter - 15-year limited warranty.

Enphase Envoy Communications Monitor - 1-year limited warranty.

Roof Mounting System Components - 25-Year limited warranty.

COMPONENTS

Outdoor Units

- Dave Lennox *Signature®* Collection
 - XC25/XP25 Variable-Capacity
 - XC21/XP21 Two-Stage
 - XC17/XP17/SL18XC1 Single Stage

SunSource® Home Energy Components

- See next page

NOTE – Due to Lennox' ongoing commitment to quality, Specifications, Ratings and Dimensions subject to change without notice and without incurring liability. Improper installation, adjustment, alteration, service or maintenance can cause property damage or personal injury. Installation and service must be performed by a qualified installer and servicing agency.

LENNOX® SOLAR SUB-PANEL

NOTE - The Lennox® Solar Sub-Panel for the outdoor unit must be ordered separately. See below for ordering information.



Order one per outdoor unit. Replaces the outdoor unit piping panel and provides the connection between the solar modules and outdoor unit.

62E02

SOLARWORLD® PRE-ENGINEERED KITS - COMPONENTS

Description	Number of Modules	No. of Components in Kit				
		4	6	8	12	16
Solar Modules, Enphase Microinverter and Monitoring Components						
 Solar Module 280W (Silver) or 275W (Black) Mono		4	6	8	12	16
 Enphase Microinverter (M250)		4	6	8	12	16
 Enphase Envoy Communications Gateway (with Wireless Capability)		1	1	1	1	1
Enphase Engage Cable						
 Enphase Engage Cable, 240V Trunk Cable Port, portrait aligned (no. of connectors)		4	7	9	14	18
 Enphase Engage Cable Terminator		1	1	1	1	1
 Enphase Engage Disconnect Tool		1	1	1	1	1
 Enphase Engage Water-tight Sealing Cap		---	1	1	2	2
Enphase Microinverter Mounting Components						
 L-Bracket for microinverter, 100 mm, clear anodized aluminum, adjustment slots and serrated mating surfaces		4	6	8	12	16
 Flange Nut, 5/16" - 16 serrated edge, 18-8 stainless steel		5	7	9	13	18
 Truss Screw, HD, 5/16" - 18 x 0.75", 18-8 stainless steel		5	7	9	13	18

NOTE – Due to Lennox' ongoing commitment to quality, Specifications, Ratings and Dimensions subject to change without notice and without incurring liability. Improper installation, adjustment, alteration, service or maintenance can cause property damage or personal injury. Installation and service must be performed by a qualified installer and servicing agency.

SOLARWORLD® PRE-ENGINEERED KITS - COMPONENTS

Description	Number of Modules	No. of Components in Kit				
		4	6	8	12	16
Roof Mounting Components						
	Composition Shingle Roof Mount Mount/Flashing with base block, hanger bolt and hardware, 12" x 12" (305 x 305 mm), Black or Silver	8	12	16	24	32
	Standing Seam Roof Mount, S-5!® S-5-U M8	8	12	16	24	32
	Trapezoid Metal Roof Mount, S-5!® VersaBracket	8	12	16	24	32
	Flat Tile Roof Mount, 18" x 18", Quick Mount PV QBase Universal Tile, Black or Silver	8	12	16	24	32
	S Tile Roof Mount, 18" x 18", Quick Mount PV QBase, Black or Silver	8	12	16	24	32
	Rail, two modules, 122 in. (3099 mm) length	---	4	---	---	---
	Rail, three modules, 162 in. (4115 mm) length	2	---	4	6	8
	Rail Splice Bar Connector	---	---	2	4	4
	Top Clamp Assembly (M8 bolt with channel nut and bolt positioning retainer), 1-1/4 in. (31 mm), silver or black	14	20	24	34	48
	End Clamp Aluminum Spacer, 1-1/4 in. (31 mm), silver or black	6	10	10	14	20
	Flange Nut, M8, serrated edge, stainless steel	16	22	28	40	56
	T-Bolt M8 x 20, stainless steel	13	19	25	37	50

SOLARWORLD® PRE-ENGINEERED KITS - COMPONENTS

Description	Number of Modules	No. of Components in Kit				
		4	6	8	12	16
Roof Mounting Components (Continued)						
	L-Bracket, clear anodized aluminum	8	12	16	24	32
	Wire Clip, 10AWG, 50-pack	1	1	1	1	1
	Cable Ties, 13", UV resistant, black, 50-pack	1	1	1	1	1
	Ground Lug, WEEB 8.0, tin plated, lay-in	5	7	9	13	18
	Ground Screw, 10-pack	1	1	1	2	2
	Rail-equipment Ground WEEB-lug 8.0 with T-bolt assembly	3	5	5	7	10
	WEEB DPF Module Grounding Clip.	8	12	16	24	32
	Rail splice ground jumper WEEB 8.0 pre-assembled with T-bolts	---	---	3	5	8
	Hex Bit, T40-2", 1/4" shank	1	1	1	1	1
	Rooftop Junction Box, Soladeck JBOX, Composition with flashing or Flat Tile/S Tile	1	1	1	1	1
	Soladeck 1 Branch or 2 Branch AC Passthru Kit, used with Rooftop Junction Box (no. of branches)	1 (1)	1 (1)	1 (1)	1 (1)	1 (2)

NOTE - Additional items not included that may be required for installation:

Lightning arrestors, array marking, or site specific system detail plaques, conduit, conduit fittings, ground/bonding conductor, AC disconnect switch, roof sealant.

NOTE - Due to Lennox' ongoing commitment to quality, Specifications, Ratings and Dimensions subject to change without notice and without incurring liability. Improper installation, adjustment, alteration, service or maintenance can cause property damage or personal injury. Installation and service must be performed by a qualified installer and servicing agency.



FEATURES

Refrigerant System

Copper tube construction with enhanced ripple-edged aluminum fins.

Twin coil construction in an "A" configuration for large surface area.

UV-resistant polymer drain pan with dual fpt drain connections.

Factory installed R-410A Check/Expansion Valve.

Cabinet

Pre-painted cabinet finish.

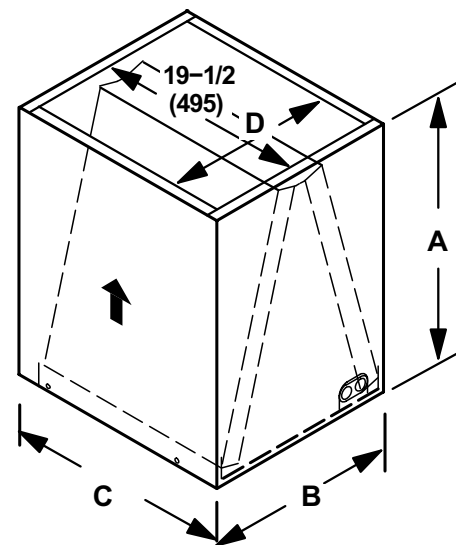
Fully insulated cabinet with thick fiberglass insulation.

Coil Match-Up

All CX34 cased upflow indoor coils match furnaces with same letter designation in model number.



DIMENSIONS



LIMITED WARRANTY

Limited Warranty

All covered components - five years
Refer to Lennox Equipment Limited Warranty certificate included with equipment for details

Cased Model No.	A		B		C		D		Inlet - W		Inlet - D	
	in.	mm	in.	mm	in.	mm	in.	mm	in.	mm	in.	mm
CX34-18/24A-6F	16-1/2	419	14-1/2	368	21	533	13	330	13-3/8	340	20-7/16	519
CX34-18/24B-6F	16-1/2	419	17-1/2	445	21	533	16	406	16-3/8	416	20-7/16	519
CX34-18/24C-6F	16-1/2	419	21	533	21	533	19-1/2	495	19-7/8	505	20-7/16	519
CX34-19A-6F	16-1/2	419	14-1/2	368	21	533	13	330	13-3/8	340	20-7/16	519
CX34-25A-6F	18-1/2	470	14-1/2	368	21	533	13	330	13-3/8	340	20-7/16	519
CX34-25B-6F	18-1/2	470	17-1/2	445	21	533	16	406	16-3/8	416	20-7/16	519
CX34-30A-6F	20-1/2	521	14-1/2	368	21	533	13	330	13-3/8	340	20-7/16	519
CX34-30B-6F	20-1/2	521	17-1/2	445	21	533	16	406	16-3/8	416	20-7/16	519
CX34-30C-6F	20-1/2	521	21	533	21	533	19-1/2	495	19-7/8	505	20-7/16	519
CX34-31A-6F	22-1/2	572	14-1/2	368	21	533	13	330	13-3/8	340	20-7/16	519
CX34-31B-6F	22-1/2	572	17-1/2	445	21	533	16	406	16-3/8	416	20-7/16	519
CX34-36A-6F	24-1/2	622	14-1/2	368	21	533	13	330	13-3/8	340	20-7/16	519
CX34-36B-6F	24-1/2	622	17-1/2	445	21	533	16	406	16-3/8	416	20-7/16	519
CX34-36C-6F	24-1/2	622	21	533	21	533	19-1/2	495	19-7/8	505	20-7/16	519
CX34-38A-6F	24-1/2	622	14-1/2	368	21	533	13	330	13-3/8	340	20-7/16	519
CX34-38B-6F	24-1/2	622	17-1/2	445	21	533	16	406	16-3/8	416	20-7/16	519
CX34-42B-6F	24-1/2	622	17-1/2	445	21	533	16	406	16-3/8	416	20-7/16	519
CX34-43B-6F	27-1/2	699	17-1/2	445	21	533	16	406	16-3/8	416	20-7/16	519
CX34-43C-6F	27-1/2	699	21	533	21	533	19-1/2	495	19-7/8	505	20-7/16	519
CX34-44/48B-6F	24-1/2	622	17-1/2	445	21	533	16	406	16-3/8	416	20-7/16	519
CX34-44/48C-6F	24-1/2	622	21	533	21	533	19-1/2	495	19-7/8	505	20-7/16	519
CX34-49C-6F	29-1/2	749	21	533	22	559	19-1/2	495	19-7/8	505	21-7/16	545
CX34-50/60C-6F	27-1/2	699	21	533	21	533	19-1/2	495	19-7/8	505	20-7/16	519
CX34-60D-6F	25-1/2	648	24-1/2	622	21	533	23	584	23-3/8	594	20-7/16	519
CX34-62C-6F	31-1/2	800	21	533	22	559	19-1/2	495	19-7/8	505	21-7/16	545
CX34-62D-6F	29-1/2	749	24-1/2	622	21	533	23	584	23-3/8	594	20-7/16	519

NOTE: CX34-60D and CX34-62D coil are positioned with coil running left to right, all other coil sizes are positioned like drawing.

NOTE - Due to Lennox' ongoing commitment to quality, Specifications, Ratings and Dimensions subject to change without notice and without incurring liability. Improper installation, adjustment, alteration, service or maintenance can cause property damage or personal injury. Installation and service must be performed by a qualified installer and servicing agency.

SPECIFICATIONS		1.5 - 2 TON				
General Data	Model No.	CX34-18/24A-6F	CX34-18/24B-6F	CX34-18/24C-6F	CX34-19A-6F	CX34-25A-6F
	Nominal size - tons	1.5/2	1.5/2	1.5/2	1.5	2
	Factory Installed Expansion Valve	12J18	12J18	12J18	12J18	12J18
Line	Suction/Vapor o.d. - in. sweat	3/4	3/4	3/4	3/4	3/4
Connections	Liquid o.d. - in. sweat	3/8	3/8	3/8	3/8	3/8
	Condensate drain - in. (fpt)	(2) 3/4	(2) 3/4	(2) 3/4	(2) 3/4	(2) 3/4
Shipping Data - lbs. - 1 package		31	31	41	35	39

SPECIFICATIONS		2 - 2.5 TON					
General Data	Model No.	CX34-25B-6F	CX34-30A-6F	CX34-30B-6F	CX34-30C-6F	CX34-31A-6F	CX34-31B-6F
	Nominal size - tons	2	2.5	2.5	2.5	2.5	2.5
	Factory Installed Expansion Valve	12J18	12J18	12J18	12J18	12J18	12J18
Line	Suction/Vapor o.d. - in. sweat	3/4	3/4	3/4	3/4	3/4	3/4
Connections	Liquid o.d. - in. sweat	3/8	3/8	3/8	3/8	3/8	3/8
	Condensate drain - in. (fpt)	(2) 3/4	(2) 3/4	(2) 3/4	(2) 3/4	(2) 3/4	(2) 3/4
Shipping Data - lbs. - 1 package		41	37	40	48	47	49

SPECIFICATIONS		3 TON				
General Data	Model No.	CX34-36A-6F	CX34-36B-6F	CX34-36C-6F	CX34-38A-6F	CX34-38B-6F
	Nominal size - tons	3	3	3	3	3
	Factory Installed Expansion Valve	12J19	12J19	12J19	21J19	12J19
Line	Suction/Vapor o.d. - in. sweat	3/4	3/4	3/4	3/4	3/4
Connections	Liquid o.d. - in. sweat	3/8	3/8	3/8	3/8	3/8
	Condensate drain - in. (fpt)	(2) 3/4	(2) 3/4	(2) 3/4	(2) 3/4	(2) 3/4
Shipping Data - lbs. - 1 package		45	46	50	49	51

SPECIFICATIONS		3.5 - 4 TON				
General Data	Model No.	CX34-42B-6F	CX34-43B-6F	CX34-43C-6F	CX34-44/48B-6F	CX34-44/48C-6F
	Nominal size - tons	3.5	3.5	3.5	3.5/4	3.5/4
	Factory Installed Expansion Valve	12J20	12J20	12J20	12J20	12J20
Line	Suction/Vapor o.d. - in. sweat	7/8	7/8	7/8	7/8	7/8
Connections	Liquid o.d. - in. sweat	3/8	3/8	3/8	3/8	3/8
	Condensate drain - in. (fpt)	(2) 3/4	(2) 3/4	(2) 3/4	(2) 3/4	(2) 3/4
Shipping Data - lbs. - 1 package		47	60	63	52	55

SPECIFICATIONS		4 - 5 TON				
General Data	Model No.	CX34-49C-6F	CX34-50/60C-6F	CX34-60D-6F	CX34-62C-6F	CX34-62D-6F
	Nominal size - tons	4	4/5	5	5	5
	Factory Installed Expansion Valve	12J20	12J20	12J20	12J20	12J20
Line	Suction/Vapor o.d. - in. sweat	7/8	7/8	7/8	7/8	7/8
Connections	Liquid o.d. - in. sweat	3/8	3/8	3/8	3/8	3/8
	Condensate drain - in. (fpt)	(2) 3/4	(2) 3/4	(2) 3/4	(2) 3/4	(2) 3/4
Shipping Data - lbs. - 1 package		72	66	66	77	76



NOTE - Due to Lennox' ongoing commitment to quality, Specifications, Ratings and Dimensions subject to change without notice and without incurring liability. Improper installation, adjustment, alteration, service or maintenance can cause property damage or personal injury. Installation and service must be performed by a qualified installer and servicing agency.



INDOOR COILS C33 (CASED)

PRODUCT CATALOG

Upflow - Cased
1.5 to 5 Tons

Page 3

January 2016

Supersedes January 2015

FEATURES

Refrigerant System

Copper tube construction with enhanced ripple-edged aluminum fins.

Twin coil construction in an "A" configuration for large surface area. UV-resistant polymer drain pan with dual fpt drain connections.

Refrigerant Control Choice

All models applicable to Lennox RFCIV refrigerant metering system when matched with specific air conditioners.

Optional expansion valves available.

Cabinet - Cased Only

Pre-painted cabinet finish.

Fully insulated cabinet with thick fiberglass insulation.

Coil Match-Up

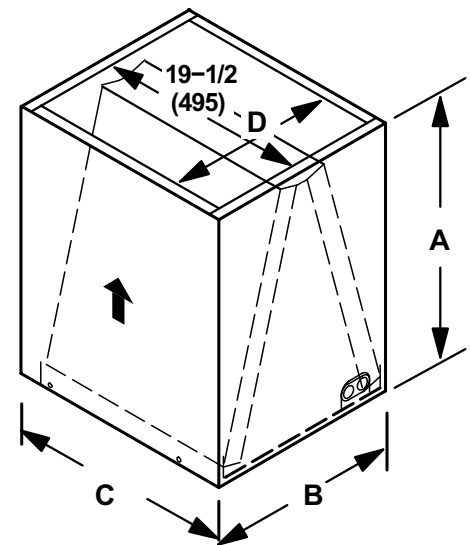
All C33 cased upflow indoor coils match furnaces with same letter designation in model number.



ACCESSORIES

- Expansion Valve Kits

DIMENSIONS



LIMITED WARRANTY

All covered components - five years
Refer to Lennox Equipment Limited
Warranty certificate included with
equipment for details

Model No.	A		B		C		D		Inlet - W		Inlet - D	
	in.	mm	in.	mm	in.	mm	in.	mm	in.	mm	in.	mm
C33-18A-2F	12-1/2	318	14-1/2	368	21	533	13	330	13-3/8	340	20-7/16	519
C33-19A-2F	16-1/2	419	14-1/2	368	21	533	13	330	13-3/8	340	20-7/16	519
C33-24A-2F	16-1/2	419	14-1/2	368	21	533	13	330	13-3/8	340	20-7/16	519
C33-24B-2F	16-1/2	419	17-1/2	445	21	533	16	406	16-3/8	416	20-7/16	519
C33-24C-2F	16-1/2	419	21	533	21	533	19-1/2	495	19-7/8	505	20-7/16	519
C33-25A-2F	18-1/2	470	14-1/2	368	21	533	13	330	13-3/8	340	20-7/16	519
C33-25B-2F	18-1/2	470	17-1/2	445	21	533	16	406	16-3/8	416	20-7/16	519
C33-30A-2F	20-1/2	521	14-1/2	368	21	533	13	330	13-3/8	340	20-7/16	519
C33-30B-2F	20-1/2	521	17-1/2	445	21	533	16	406	16-3/8	416	20-7/16	519
C33-30C-2F	20-1/2	521	21	533	21	533	19-1/2	495	19-7/8	505	20-7/16	519
C33-31A-2F	22-1/2	572	14-1/2	368	21	533	13	330	13-3/8	340	20-7/16	519
C33-31B-2F	22-1/2	572	17-1/2	445	21	533	16	406	16-3/8	416	20-7/16	519
C33-36A-2F	24-1/2	622	14-1/2	368	21	533	13	330	13-3/8	340	20-7/16	519
C33-36B-2F	24-1/2	622	17-1/2	445	21	533	16	406	16-3/8	416	20-7/16	519
C33-36C-2F	24-1/2	622	21	533	21	533	19-1/2	495	19-7/8	505	20-7/16	519
C33-38A-2F	24-1/2	622	14-1/2	368	21	533	13	330	13-3/8	340	20-7/16	519
C33-38B-2F	24-1/2	622	17-1/2	445	21	533	16	406	16-3/8	416	20-7/16	519
C33-42B-2F	24-1/2	622	17-1/2	445	21	533	16	406	16-3/8	416	20-7/16	519
C33-43B-2F	27-1/2	699	17-1/2	445	21	533	16	406	16-3/8	416	20-7/16	519
C33-43C-2F	27-1/2	699	21	533	21	533	19-1/2	495	19-7/8	505	20-7/16	519
C33-44C-2F	24-1/2	622	21	533	21	533	19-1/2	495	19-7/8	505	20-7/16	519
C33-48B-2F	24-1/2	622	17-1/2	445	21	533	16	406	16-3/8	416	20-7/16	519
C33-48C-2F	24-1/2	622	21	533	21	533	19-1/2	495	19-7/8	505	20-7/16	519
C33-49C-2F	29-1/2	749	21	533	22	559	19-1/2	495	19-7/8	505	21-7/16	545
C33-50/60C-2F	27-1/2	699	21	533	21	533	19-1/2	495	19-7/8	505	20-7/16	519
C33-60D-2F	25-1/2	648	24-1/2	622	21	533	23	584	23-3/8	594	20-7/16	519
C33-62C-2F	31-1/2	800	21	533	22	559	19-1/2	495	19-7/8	505	20-7/16	519
C33-62D-2F	29-1/2	749	24-1/2	622	21	533	23	584	23-3/8	594	21-7/16	545

NOTE- C33-60D and C33-62D coil are positioned with coil running left to right, all other coil sizes are positioned like drawing.

NOTE - Due to Lennox' ongoing commitment to quality, Specifications, Ratings and Dimensions subject to change without notice and without incurring liability. Improper installation, adjustment, alteration, service or maintenance can cause property damage or personal injury. Installation and service must be performed by a qualified installer and servicing agency.

SPECIFICATIONS		1.5 - 2 TON						
General Data	Model No.	C33-18A-2F	C33-19A-2F	C33-24A-2F	C33-24B-2F	C33-24C-2F	C33-25A-2F	C33-25B-2F
	Nominal size - tons	1.5	1.5	2	2	2	2	2
Line Connections	Suction/Vapor o.d. - in. sweat	3/4	3/4	3/4	3/4	3/4	3/4	3/4
	Liquid o.d. - in. sweat	3/8	3/8	3/8	3/8	3/8	3/8	3/8
	Condensate drain - in. (fpt)	(2) 3/4	(2) 3/4	(2) 3/4	(2) 3/4	(2) 3/4	(2) 3/4	(2) 3/4
RFCIV metering device orifice size		0.051	0.051	0.057	0.057	0.057	0.057	0.057
Shipping Data - lbs. (1 package)		27	35	31	31	39	39	41

SPECIFICATIONS		2.5 - 3 TON						
General Data	Model No.	C33-30A-2F	C33-30B-2F	C33-30C-2F	C33-31A-2F	C33-31B-2F	C33-36A-2F	C33-36B-2F
	Nominal size - tons	2.5	2.5	2.5	2.5	2.5	3	3
Line Connections	Suction/Vapor o.d. - in. sweat	3/4	3/4	3/4	3/4	3/4	3/4	3/4
	Liquid o.d. - in. sweat	3/8	3/8	3/8	3/8	3/8	3/8	3/8
	Condensate drain - in. (fpt)	(2) 3/4	(2) 3/4	(2) 3/4	(2) 3/4	(2) 3/4	(2) 3/4	(2) 3/4
RFCIV metering device orifice size		0.065	0.065	0.065	0.065	0.065	0.073	0.073
Shipping Data - lbs. (1 package)		37	40	46	47	49	45	46

SPECIFICATIONS		3 - 3.5 TON						
General Data	Model No.	C33-36C-2F	C33-38A-2F	C33-38B-2F	C33-42B-2F	C33-43B-2	C33-43C-2F	C33-44C-2F
	Nominal size - tons	3	3	3	3.5	3.5	3.5	3.5
Line Connections	Suction/Vapor o.d. - in. sweat	3/4	3/4	3/4	7/8	7/8	7/8	7/8
	Liquid o.d. - in. sweat	3/8	3/8	3/8	3/8	3/8	3/8	3/8
	Condensate drain - in. (fpt)	(2) 3/4	(2) 3/4	(2) 3/4	(2) 3/4	(2) 3/4	(2) 3/4	(2) 3/4
RFCIV metering device orifice size		0.073	0.073	0.073	0.076	0.076	0.076	0.076
Shipping Data - lbs. (1 package)		50	49	51	47	60	63	55

SPECIFICATIONS		4 - 5 TON						
General Data	Model No.	C33-48B-2F	C33-48C-2F	C33-49C-2F	C33-50/60C-2F	C33-60D-2F	C33-62C-2F	C33-62D-2F
	Nominal size - tons	4	4	4	4/5	5	5	5
Line Connections	Suction/Vapor o.d. - in. sweat	7/8	7/8	7/8	7/8	7/8	7/8	7/8
	Liquid o.d. - in. sweat	3/8	3/8	3/8	3/8	3/8	3/8	3/8
	Condensate drain - in. (fpt)	(2) 3/4	(2) 3/4	(2) 3/4	(2) 3/4	(2) 3/4	(2) 3/4	(2) 3/4
RFCIV metering device orifice size		0.082	0.082	0.082	0.082	0.093	0.093	0.093
Shipping Data - lbs. (1 package)		52	55	72	66	66	77	76



NOTE - Due to Lennox' ongoing commitment to quality, Specifications, Ratings and Dimensions subject to change without notice and without incurring liability. Improper installation, adjustment, alteration, service or maintenance can cause property damage or personal injury. Installation and service must be performed by a qualified installer and servicing agency.



INDOOR COILS C33 (UNCASED)

PRODUCT CATALOG

Upflow - Uncased
1.5 to 5 Tons

Page 5

January 2016

Supersedes January 2015

FEATURES

Refrigerant System

Copper tube construction with enhanced ripple-edged aluminum fins.

Twin coil construction in an "A" configuration for large surface area.

UV-resistant polymer drain pan with dual fpt drain connections.

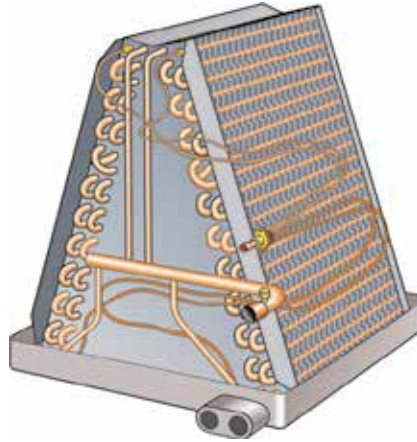
Refrigerant Control Choice

All models applicable to Lennox RFCIV refrigerant metering system when matched with specific air conditioners.

Optional expansion valves available.

Coil Match-Up

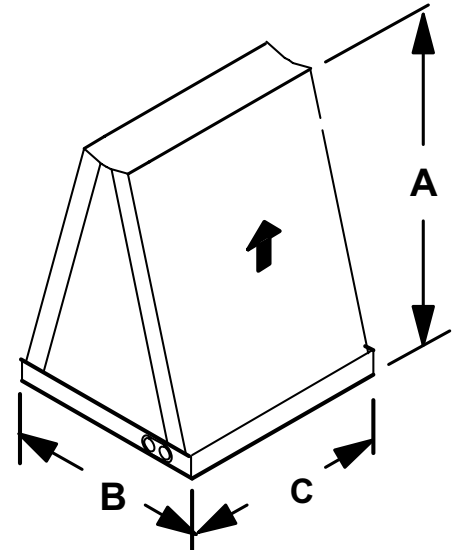
Uncased coils match furnaces but require adaptor base or field fabricated transition.



ACCESSORIES

- Adjustable Coil / Adaptor Seal
- Expansion Valve Kits

DIMENSIONS



LIMITED WARRANTY

All covered components - five years
Refer to Lennox Equipment Limited
Warranty certificate included with
equipment for details

Model No.	A		B		C	
	in.	mm	in.	mm	in.	mm
C33-18A-2	9-3/4	248	13	330	19-1/2	495
C33-19A-2	14	356	13	330	19-1/2	495
C33-24A-2	14	356	13	330	19-1/2	495
C33-24B-2	13-7/8	352	15-1/2	394	19-1/2	495
C33-24C-2	13-7/8	352	20	508	19-1/2	495
C33-25A-2	16-1/4	413	13	330	19-1/2	495
C33-25B-2	15-7/8	403	15-1/2	394	19-1/2	495
C33-30A-2	18	457	13	330	19-1/2	495
C33-30B-2	17-3/4	451	15-1/2	394	19-1/2	495
C33-30C-2	17-3/4	451	20	508	19-1/2	495
C33-31A-2	21-1/4	540	13	330	19-1/2	495
C33-31B-2	20-1/4	514	15-1/2	394	19-1/2	495
C33-36A-2	22-1/8	562	13	330	19-1/2	495
C33-36B-2	21-7/8	556	15-1/2	394	19-1/2	495
C33-36C-2	21-1/4	540	20	508	19-1/2	495
C33-38A-2	22-1/4	565	13	330	19-1/2	495
C33-38B-2	22	559	15-1/2	394	19-1/2	495
C33-42B-2	21-7/8	556	15-1/2	394	19-1/2	495
C33-43B-2	26-1/4	667	15-1/2	394	19-1/2	495
C33-43C-2	25-3/4	654	20	508	19-1/2	495
C33-44C-2	21-1/2	546	20	508	19-1/2	495
C33-48B-2	22-1/8	562	15-1/2	394	19-1/2	495
C33-48C-2	21-1/2	546	20	508	19-1/2	495
C33-49C-2	28-1/2	724	19-1/2	495	21-1/2	546
C33-50/60C-2	26-3/4	629	20	508	19-1/2	495
C33-60D-2	24-3/4	629	23	584	19-1/2	495
C33-62C-2	30-5/8	778	19-1/2	495	21-1/2	546
C33-62D-2	28-3/4	730	23	584	19-1/2	495

NOTE- C33-60D and C33-62D coil are positioned with coil running left to right, all other coil sizes are positioned like drawing.

NOTE - Due to Lennox' ongoing commitment to quality, Specifications, Ratings and Dimensions subject to change without notice and without incurring liability. Improper installation, adjustment, alteration, service or maintenance can cause property damage or personal injury. Installation and service must be performed by a qualified installer and servicing agency.

SPECIFICATIONS		1.5 - 2 TON						
General Data	Model No.	C33-18A-2	C33-19A-2	C33-24A-2	C33-24B-2	C33-24C-2	C33-25A-2	C33-25B-2
	Nominal size - tons	1.5	1.5	2	2	2	2	2
Line	Suction/Vapor o.d. - in. sweat	3/4	3/4	3/4	3/4	3/4	3/4	3/4
Connections	Liquid o.d. - in. sweat	3/8	3/8	3/8	3/8	3/8	3/8	3/8
	Condensate drain - in. (fpt)	(2) 3/4	(2) 3/4	(2) 3/4	(2) 3/4	(2) 3/4	(2) 3/4	(2) 3/4
RFCIV metering device orifice size		0.051	0.051	0.057	0.057	0.057	0.057	0.057
Shipping Data - lbs. (1 package)		14	19	18	20	25	23	24

OPTIONAL ACCESSORIES - ORDER SEPARATELY							
Adjustable Coil Adaptor/Seal - Uncased Coils Only (Ten Pack)	11L09	11L09	11L09	11L09	11L09	11L09	11L09

SPECIFICATIONS		2.5 - 3 TON						
General Data	Uncased Model No.	C33-30A-2	C33-30B-2	C33-30C-2	C33-31A-2	C33-31B-2	C33-36A-2	C33-36B-2
	Nominal size - tons	2.5	2.5	2.5	2.5	2.5	3	3
Line	Suction/Vapor o.d. - in. sweat	3/4	3/4	3/4	3/4	3/4	3/4	3/4
Connections	Liquid o.d. - in. sweat	3/8	3/8	3/8	3/8	3/8	3/8	3/8
	Condensate drain - in. (fpt)	(2) 3/4	(2) 3/4	(2) 3/4	(2) 3/4	(2) 3/4	(2) 3/4	(2) 3/4
RFCIV metering device orifice size		0.065	0.065	0.065	0.065	0.065	0.073	0.073
Shipping Data - lbs. (1 package)		22	23	28	31	32	26	27

OPTIONAL ACCESSORIES - ORDER SEPARATELY							
Adjustable Coil Adaptor/Seal - Uncased Coils Only (Ten Pack)	11L09	11L09	11L09	11L09	11L09	11L09	11L09

SPECIFICATIONS		3 - 3.5 TON						
General Data	Uncased Model No.	C33-36C-2	C33-38A-2	C33-38B-2	C33-42B-2	C33-43B-2	C33-43C-2	C33-44C-2
	Nominal size - tons	3	3	3	3.5	3.5	3.5	3.5
Line	Suction/Vapor o.d. - in. sweat	3/4	3/4	3/4	7/8	7/8	7/8	7/8
Connections	Liquid o.d. - in. sweat	3/8	3/8	3/8	3/8	3/8	3/8	3/8
	Condensate drain - in. (fpt)	(2) 3/4	(2) 3/4	(2) 3/4	(2) 3/4	(2) 3/4	(2) 3/4	(2) 3/4
RFCIV metering device orifice size		0.073	0.073	0.073	0.076	0.076	0.076	0.076
Shipping Data - lbs. (1 package)		29	31	33	27	43	44	34

OPTIONAL ACCESSORIES - ORDER SEPARATELY							
Adjustable Coil Adaptor/Seal - Uncased Coils Only (Ten Pack)	11L09	11L09	11L09	11L09	11L09	11L09	11L09

SPECIFICATIONS		4 - 5 TON						
General Data	Uncased Model No.	C33-48B-2	C33-48C-2	C33-49C-2	C33-50/60C-2	C33-60D-2	C33-62C-2	C33-62D-2
	Nominal size - tons	4	4	4	4/5	5	5	5
Line	Suction/Vapor o.d. - in. sweat	7/8	7/8	7/8	7/8	7/8	7/8	7/8
Connections	Liquid o.d. - in. sweat	3/8	3/8	3/8	3/8	3/8	3/8	3/8
	Condensate drain - in. (fpt)	(2) 3/4	(2) 3/4	(2) 3/4	(2) 3/4	(2) 3/4	(2) 3/4	(2) 3/4
RFCIV metering device orifice size		0.082	0.082	0.082	0.082	0.093	0.093	0.093
Shipping Data - lbs. (1 package)		33	35	53	40	42	58	48

OPTIONAL ACCESSORIES - ORDER SEPARATELY							
Adjustable Coil Adaptor/Seal - Uncased Coils Only (Ten Pack)	11L09	11L09	11L09	11L09	11L09	11L09	11L09



NOTE - Due to Lennox' ongoing commitment to quality, Specifications, Ratings and Dimensions subject to change without notice and without incurring liability. Improper installation, adjustment, alteration, service or maintenance can cause property damage or personal injury. Installation and service must be performed by a qualified installer and servicing agency.



INDOOR COILS CH33

PRODUCT CATALOG

Horizontal - Cased
1.5 to 5 Tons

Page 7

January 2016

Supersedes January 2015

FEATURES

Refrigerant System

Copper tube construction with enhanced ripple-edged aluminum fins.

Twin coil construction for large surface area.

Non-corrosive drain pan with dual fpt drain connections.

Refrigerant Control Choice

All models applicable to Lennox RFCIV refrigerant metering system when matched with specific air conditioners.

Optional expansion valves available.

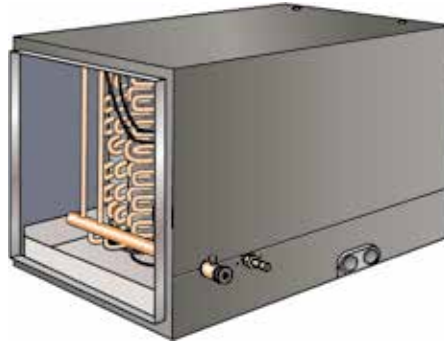
Cabinet

Pre-painted cabinet finish.

Fully insulated cabinet with thick fiberglass insulation.

Coil Match-Up

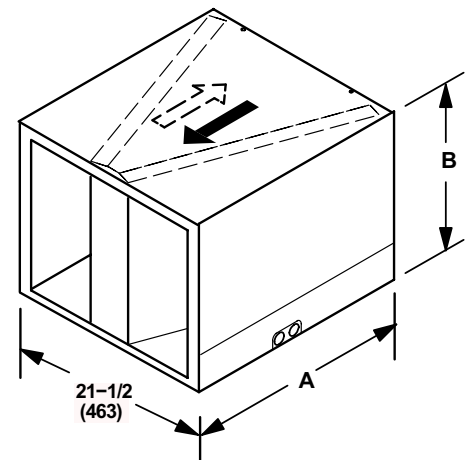
All CH33 cased horizontal indoor coils match furnaces with same letter designation in model number.



ACCESSORIES

- Expansion Valve Kits

DIMENSIONS



LIMITED WARRANTY

Limited Warranty

All covered components - five years
Refer to Lennox Equipment Limited Warranty certificate included with equipment for details

Model No.	A		B		Supply Opening				Return Opening			
					Height		Width		Height		Width	
	in.	mm	in.	mm	in.	mm	in.	mm	in.	mm	in.	mm
CH33-18A-2F	21-1/2	546	14-1/2	368	13	330	20	508	13-3/8	340	20-3/8	518
CH33-19A-2F	26-1/2	673	14-1/2	368	13	330	20	508	13-3/8	340	20-3/8	518
CH33-24/30A-2F	26-1/2	673	14-1/2	368	13	330	20	508	13-3/8	340	20-3/8	518
CH33-25A-2F	26-1/2	673	14-1/2	368	13	330	20	508	13-3/8	340	20-3/8	518
CH33-25B-2F	26-1/2	673	17-1/2	444	16	406	20	508	16-3/8	416	20-3/8	518
CH33-31A-2F	31-1/2	800	14-1/2	368	13	330	20	508	13-3/8	340	20-3/8	518
CH33-31B-2F	26-1/2	673	17-1/2	444	16	406	20	508	16-3/8	416	20-3/8	518
CH33-36A-2F	26-1/2	673	14-1/2	368	13	330	20	508	13-3/8	340	20-3/8	518
CH33-36B-2F	26-1/2	673	17-1/2	444	16	406	20	508	16-3/8	416	20-3/8	518
CH33-36C-2F	26-1/2	673	21	533	19-1/2	495	20	508	19-7/8	505	20-3/8	518
CH33-42B-2F	26-1/2	673	17-1/2	444	16	406	20	508	16-3/8	416	20-3/8	518
CH33-43B-2F	31-1/2	800	17-1/2	444	16	406	20	508	16-3/8	416	20-3/8	518
CH33-43C-2F	26-1/2	673	21	533	19-1/2	495	20	508	19-7/8	505	20-3/8	518
CH33-44/48B-2F	31-1/2	800	17-1/2	444	16	406	20	508	16-3/8	416	20-3/8	518
CH33-48C-2F	26-1/2	673	21	533	19-1/2	495	20	508	19-7/8	505	20-3/8	518
CH33-49C-2F	31-1/2	800	21	533	19-1/2	495	20	508	19-7/8	505	20-3/8	518
CH33-50/60C-2F	31-1/2	800	21	533	19-1/2	495	20	508	19-7/8	505	20-3/8	518
CH33-60D-2F	26-1/2	673	24-1/2	622	23	584	20	508	23-3/8	594	20-3/8	518
CH33-62D-2F	31-1/2	800	24-1/2	622	23	584	20	508	23-3/8	594	20-3/8	518

NOTE - Due to Lennox' ongoing commitment to quality, Specifications, Ratings and Dimensions subject to change without notice and without incurring liability. Improper installation, adjustment, alteration, service or maintenance can cause property damage or personal injury. Installation and service must be performed by a qualified installer and servicing agency.

SPECIFICATIONS		1.5 TO 2.5 TON						
General Data	Model No.	CH33 -18A-2F	CH33 -19A-2F	CH33 -24/30A-2F	CH33 -25A-2F	CH33 -25B-2F	CH33 -31A-2F	CH33 -31B-2F
	Nominal size - tons	1.5	1.5	2/2.5	2	2	2.5	2.5
Line Connections	Suction/Vapor o.d. - in. sweat	3/4	3/4	3/4	3/4	3/4	3/4	3/4
	Liquid o.d. - in. sweat	3/8	3/8	3/8	3/8	3/8	3/8	3/8
	Condensate drain - in. (fpt)	(2) 3/4	(2) 3/4	(2) 3/4	(2) 3/4	(2) 3/4	(2) 3/4	(2) 3/4
RFCIV metering device orifice size		0.053	0.053	0.062	0.062	0.062	0.071	0.071
Horizontal Matching Furnace	Cabinet Designation	A	A	A	A	B	A	B
	Coil and Furnace Height	14-1/2	14-1/2	14-1/2	14-1/2	17-1/2	14-1/2	17-1/2
Shipping Data	lbs. - 1 package	20	37	42	38	38	40	45

SPECIFICATIONS		3 TO 3.5 TON					
General Data	Model No.	CH33 -36A-2F	CH33 -36B-2F	CH33 -36C-2F	CH33 -42B-2F	CH33 -43B-2F	CH33 -43C-2F
	Nominal size - tons	3	3	3	3.5	3.5	3.5
Line Connections	Suction/Vapor o.d. - in. sweat	3/4	3/4	3/4	7/8	7/8	7/8
	Liquid o.d. - in. sweat	3/8	3/8	3/8	3/8	3/8	3/8
	Condensate drain - in. (fpt)	(2) 3/4	(2) 3/4	(2) 3/4	(2) 3/4	(2) 3/4	(2) 3/4
RFCIV metering device orifice size		0.076	0.076	0.076	0.082	0.082	0.082
Horizontal Matching Furnace	Cabinet Designation	A	B	C	B	B	C
	Coil and Furnace Height	14-1/2	17-1/2	21	17-1/2	17-1/2	21
Shipping Data	lbs. - 1 package	54	44	48	60	76	82

SPECIFICATIONS		3.5 TO 5 TON					
General Data	Model No.	CH33 -44/48B-2F	CH33 -48C-2F	CH33 -49C-2F	CH33 -50/60C-2F	CH33 -60D-2F	CH33 -62D-2F
	Nominal size - tons	3.5/4	4	4	4/5	5	5
Line Connections	Suction/Vapor o.d. - in. sweat	7/8	7/8	7/8	7/8	7/8	7/8
	Liquid o.d. - in. sweat	3/8	3/8	3/8	3/8	3/8	3/8
	Condensate drain - in. (fpt)	(2) 3/4	(2) 3/4	(2) 3/4	(2) 3/4	(2) 3/4	(2) 3/4
RFCIV metering device orifice size		0.082	0.091	0.091	0.091	0.099	0.099
Horizontal Matching Furnace	Cabinet Designation	B	C	C	C	D	D
	Coil and Furnace Height	17-1/2	21	21	21	24-1/2	24-1/2
Shipping Data	lbs. - 1 package	72	76	86	86	87	97



NOTE - Due to Lennox' ongoing commitment to quality, Specifications, Ratings and Dimensions subject to change without notice and without incurring liability. Improper installation, adjustment, alteration, service or maintenance can cause property damage or personal injury. Installation and service must be performed by a qualified installer and servicing agency.



FEATURES

Refrigerant System

Copper tube construction with enhanced ripple-edged aluminum fins.

Twin coil construction in a "V" configuration for large surface area.

Non-corrosive drain pan with dual fpt drain connections.

Refrigerant Control Choice

All models applicable to Lennox RFCIV refrigerant metering system when matched with specific air conditioners.

Optional expansion valves available.

Cabinet

Pre-painted cabinet finish.

Fully insulated cabinet with thick fiberglass insulation.

Coil Match-Up

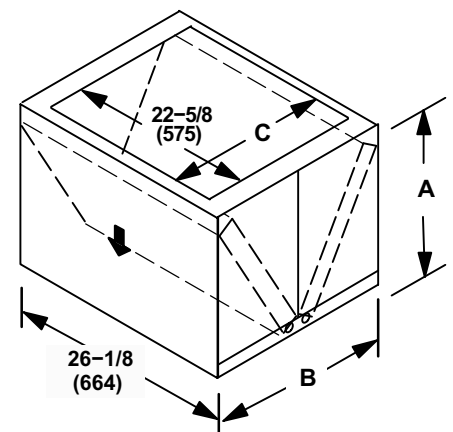
Coil inlet openings match corresponding Lennox furnace supply air openings with same letter designation in the model number. No adaptor required. See Coil/Furnace Match-Up Charts in this section for additional information.



ACCESSORIES

- Expansion Valve Kits

DIMENSIONS



LIMITED WARRANTY

All covered components - five years
Refer to Lennox Equipment Limited Warranty certificate included with equipment for details

Model No.	A		B		C		Supply Air Opening			
							Width		Depth	
	in.	mm	in.	mm	in.	mm	in.	mm	in.	mm
CR33-18A-F	14-1/8	359	17-1/2	445	13-1/2	343	15-1/2	394	23-3/16	589
CR33-24A-F	14-1/8	359	17-1/2	445	13-1/2	343	15-1/2	394	23-3/16	589
CR33-24B-F	14-1/8	359	17-1/2	445	16-1/2	419	15-1/2	394	23-3/16	589
CR33-30/36A-F	16-1/8	410	17-1/2	445	13-1/2	343	15-1/2	394	23-3/16	589
CR33-30/36B-F	16-1/8	410	17-1/2	445	16-1/2	419	15-1/2	394	23-3/16	589
CR33-30/36C-F	16-1/8	410	21	533	20	508	19	483	23-3/16	589
CR33-48B-F	20	508	21	533	16-1/2	419	19	483	23-3/16	589
CR33-48C-F	20	508	21	533	20	508	19	483	23-3/16	589
CR33-50/60C-F	23-5/8	600	24-1/2	622	20	508	22-1/2	572	23-3/16	589
CR33-60D-F	23-5/8	600	24-1/2	622	23-1/2	597	22-1/2	572	23-3/16	589

NOTE - Due to Lennox' ongoing commitment to quality, Specifications, Ratings and Dimensions subject to change without notice and without incurring liability. Improper installation, adjustment, alteration, service or maintenance can cause property damage or personal injury. Installation and service must be performed by a qualified installer and servicing agency.

SPECIFICATIONS		1.5 TO 3 TON				
General Data	Model No.	CR33-18A-F	CR33-24A-F	CR33-24B-F	CR33-30/36A-F	CR33-30/36B-F
	Nominal size - tons	1.5	2	3	2.5/3	2.5/3
Line connections in.	Suction / vapor o.d. - in. sweat	7/8	7/8	7/8	7/8	7/8
	Liquid o.d. in. - sweat	3/8	3/8	3/8	3/8	3/8
	Condensate drain - in. (fpt)	(2) 3/4	(2) 3/4	(2) 3/4	(2) 3/4	(2) 3/4
Shipping weight	lbs. - 1 package	44	44	49	58	57

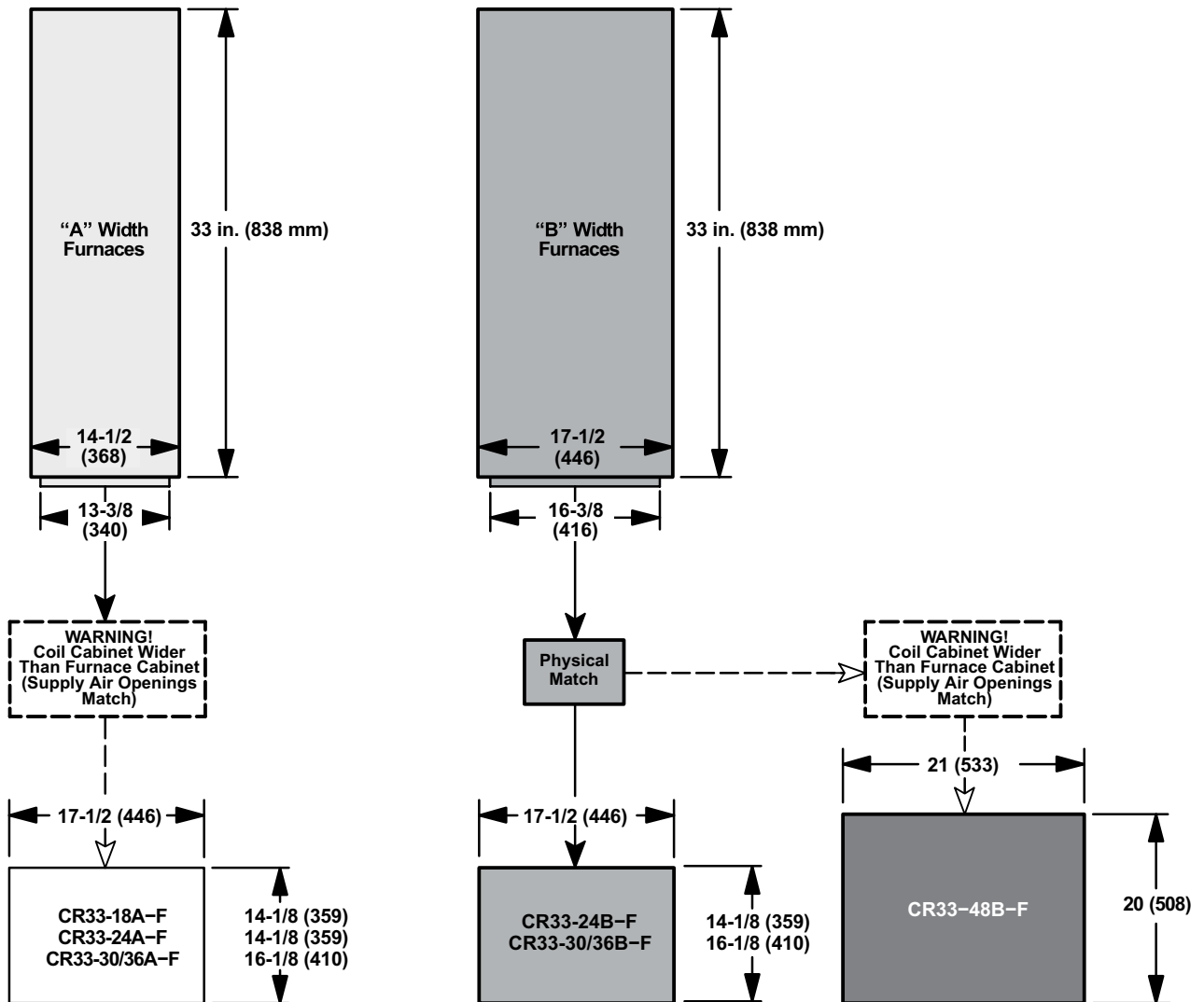
SPECIFICATIONS		2 TO 5 TON				
General Data	Model No.	CR33-30/36C-F	CR33-48B-F	CR33-48C-F	CR33-50/60C-F	CR33-60D-F
	Nominal size - tons	2.5/3	4	4	4/5	5
Line connections in.	Suction / vapor o.d. in. - sweat	7/8	7/8	7/8	7/8	7/8
	Liquid o.d. - in. sweat	3/8	3/8	3/8	3/8	3/8
	Condensate drain - in. (fpt)	(2) 3/4	(2) 3/4	(2) 3/4	(2) 3/4	(2) 3/4
Shipping weight	lbs. - 1 package	60	72	71	85	84



NOTE – Due to Lennox' ongoing commitment to quality, Specifications, Ratings and Dimensions subject to change without notice and without incurring liability. Improper installation, adjustment, alteration, service or maintenance can cause property damage or personal injury. Installation and service must be performed by a qualified installer and servicing agency.

DOWNFLOW GAS FURNACES - CR33 COILS

(Note – Coil opening will physically match the furnace supply air opening with the same letter designation in the model number.)

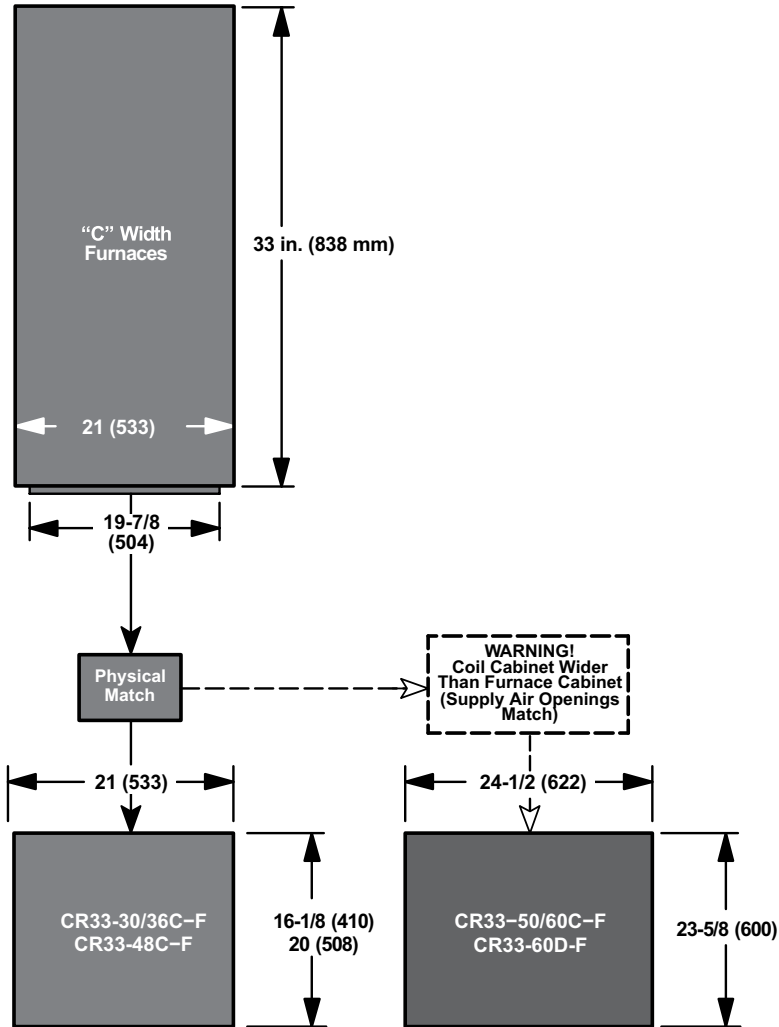


NOTE – Due to Lennox' ongoing commitment to quality, Specifications, Ratings and Dimensions subject to change without notice and without incurring liability. Improper installation, adjustment, alteration, service or maintenance can cause property damage or personal injury. Installation and service must be performed by a qualified installer and servicing agency.



DOWNFLOW GAS FURNACES - CR33 COILS

(Note – Coil opening will physically match the furnace supply air opening with the same letter designation in the model number.



NOTE – Due to Lennox' ongoing commitment to quality, Specifications, Ratings and Dimensions subject to change without notice and without incurring liability. Improper installation, adjustment, alteration, service or maintenance can cause property damage or personal injury. Installation and service must be performed by a qualified installer and servicing agency.



INDOOR COILS CH23

PRODUCT CATALOG

Horizontal - Cased
1.5 to 5 Tons

Page 13

January 2016

Supersedes January 2015

FEATURES

Refrigerant System

Copper tube construction with enhanced ripple-edged aluminum fins.

Non-corrosive drain pan with dual fpt drain connections.

Refrigerant Control Choice

All models applicable to Lennox RFCIV refrigerant metering system.

Optional expansion valves available.

Cabinet

Pre-painted cabinet finish.

Fully insulated cabinet with thick fiberglass insulation.



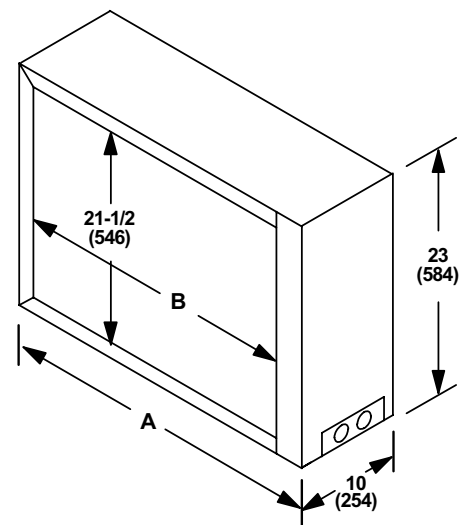
LIMITED WARRANTY

All covered components - five years
Refer to Lennox Equipment Limited
Warranty certificate included with
equipment for details

ACCESSORIES

- Expansion Valve Kits

DIMENSIONS



NOTE - Opening same both ends.

Model No.	A		B	
	in.	mm	in.	mm
CH23-21	27	686	22-3/4	578
CH23-31	31	787	26-3/4	679
CH23-41	31	787	26-3/4	679
CH23-51	35	889	30-3/4	781
CH23-65	41	1041	36-3/4	933
CH23-68	47	1194	42-3/4	1086

SPECIFICATIONS		1.5 - 5 TON					
General Data	Model No.	CH23-21	CH23-31	CH23-41	CH23-51	CH23-65	CH23-68
	Nominal size - tons	1.5	2.5	3	4	5	5+
Line Connections	Suction/Vapor o.d. - in. sweat	² 7/8	² 7/8	³ 7/8	7/8	7/8	7/8
	Liquid o.d. - in. sweat	¹ 3/8	¹ 3/8	3/8	3/8	3/8	3/8
	Condensate drain - in (fpt)	(2) 3/4	(2) 3/4	(2) 3/4	(2) 3/4	(2) 3/4	(2) 3/4
Shipping Data	lbs. - 1 package	30	34	42	46	55	75

¹ 3/8 x 5/16 in. reducing coupling shipped with coil.

² 7/8 x 5/8 in. reducing bushing shipped with coil.

³ 7/8 x 3/4 in. reducing bushing shipped with coil.



NOTE – Due to Lennox' ongoing commitment to quality, Specifications, Ratings and Dimensions subject to change without notice and without incurring liability. Improper installation, adjustment, alteration, service or maintenance can cause property damage or personal injury. Installation and service must be performed by a qualified installer and servicing agency.



INDOOR COILS CX35

PRODUCT CATALOG

R-410A - Upflow - Cased
1.5 to 5 Tons

Page 15

January 2016

Supersedes January 2015

NOTE - Air Conditioning Only!

FEATURES

Refrigerant System

Aluminum tube and hairpin construction with enhanced ripple-edged aluminum fins.

Copper distributor, header tubes and refrigerant sweat connections.

Twin coil construction in an "A" configuration for large surface area.

UV-resistant polymer drain pan with dual fpt drain connections.

Factory installed R-410A Check/Expansion Valve.

Cabinet

Pre-painted cabinet finish.

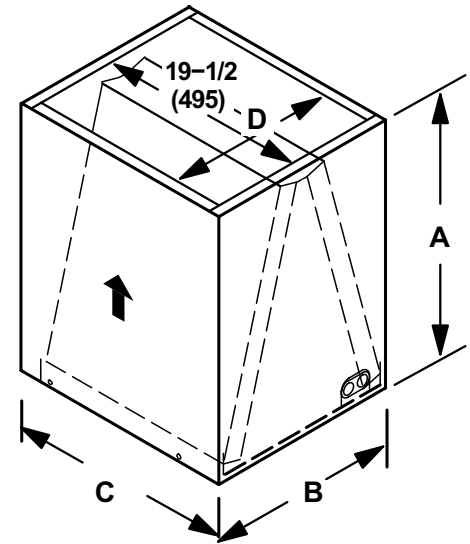
Fully insulated cabinet with thick fiberglass insulation.

Coil Match-Up

All CX35 cased upflow indoor coils match furnaces with same letter designation in model number.



DIMENSIONS



LIMITED WARRANTY

Limited Warranty

All covered components - five years
Refer to Lennox Equipment Limited Warranty certificate included with equipment for details

Cased Model No.	A		B		C		D		Inlet - W		Inlet - D	
	in.	mm	in.	mm	in.	mm	in.	mm	in.	mm	in.	mm
CX35-18/24A-6F	16-1/2	419	14-1/2	368	21	533	13	330	13-3/8	340	20-7/16	519
CX35-18/24B-6F	16-1/2	419	17-1/2	445	21	533	16	406	16-3/8	416	20-7/16	519
CX35-24A-6F	18-1/2	470	14-1/2	368	21	533	13	330	13-3/8	340	20-7/16	519
CX35-24B-6F	18-1/2	470	17-1/2	445	21	533	16	406	16-3/8	416	20-7/16	519
CX35-30A-6F	22-1/2	572	14-1/2	368	21	533	13	330	13-3/8	340	20-7/16	519
CX35-30B-6F	22-1/2	572	17-1/2	445	21	533	16	406	16-3/8	416	20-7/16	519
CX35-30/36A-6F	24-1/2	622	14-1/2	368	21	533	13	330	13-3/8	340	20-7/16	519
CX35-30/36B-6F	24-1/2	622	17-1/2	445	21	533	16	406	16-3/8	416	20-7/16	519
CX35-30/36C-6F	24-1/2	622	21	533	21	533	19-1/2	495	19-7/8	505	20-7/16	519
CX35-36A-6F	24-1/2	622	14-1/2	368	21	533	13	330	13-3/8	340	20-7/16	519
CX35-36B-6F	24-1/2	622	17-1/2	445	21	533	16	406	16-3/8	416	20-7/16	519
CX35-48B-6F	27-1/2	699	17-1/2	445	21	533	16	406	16-3/8	416	20-7/16	519
CX35-48C-2F	27-1/2	699	21	533	21	533	19-1/2	495	19-7/8	505	20-7/16	519
CX35-49C-2F	29-1/2	749	21	533	22	559	19-1/2	495	19-7/8	505	21-7/16	545
CX35-50/60C-6F	27-1/2	699	21	533	21	533	19-1/2	495	19-7/8	505	20-7/16	519
CX35-60C-2F	31-1/2	800	21	533	22	559	19-1/2	495	19-7/8	505	21-7/16	545
CX35-60D-6F	29-1/2	749	24-1/2	622	21	533	23	584	23-3/8	594	20-7/16	519

NOTE- CX35-60D coil is positioned with coil running left to right inside the cabinet, all other coil sizes are positioned like drawing.

NOTE - Due to Lennox' ongoing commitment to quality, Specifications, Ratings and Dimensions subject to change without notice and without incurring liability. Improper installation, adjustment, alteration, service or maintenance can cause property damage or personal injury. Installation and service must be performed by a qualified installer and servicing agency.

SPECIFICATIONS		1.5 TO 2 TON			
General Data	Model No.	CX35-18/24A-6F	CX35-18/24B-6F	CX35-24A-6F	CX35-24B-6F
	Nominal size - Tons	1.5 / 2	1.5 / 2	2	2
	Factory Installed Expansion Valve	12J18	12J18	12J18	12J18
Line	Suction / vapor o.d. - sweat	3/4	3/4	3/4	3/4
Connections	Liquid o.d. - sweat	3/8	3/8	3/8	3/8
in.	Condensate drain (fpt)	(2) 3/4	(2) 3/4	(2) 3/4	(2) 3/4
Shipping Data - lbs.		30	34	38	43

SPECIFICATIONS		2.5 TO 3 TON			
General Data	Model No.	CX35-30A-6F	CX35-30B-6F	CX35-30/36A-6F	CX35-30/36B-6F
	Nominal size - Tons	2.5	2.5	2.5 / 3	2.5 / 3
	Factory Installed Expansion Valve	12J18	12J18	12J19	12J19
Line	Suction / vapor o.d. - sweat	3/4	3/4	3/4	3/4
Connections	Liquid o.d. - sweat	3/8	3/8	3/8	3/8
in.	Condensate drain (fpt)	(2) 3/4	(2) 3/4	(2) 3/4	(2) 3/4
Shipping Data - lbs.		45	50	41	45

SPECIFICATIONS		2.5 TO 4 TON				
General Data	Model No.	CX35-30/36C-6F	CX35-36A-6F	CX35-36B-6F	CX35-48B-6F	CX35-48C-6F
	Nominal size - Tons	2.5 / 3	3	3	3.5 / 4	3.5 / 4
	Factory Installed Expansion Valve	12J19	12J19	12J19	12J20	12J20
Line	Suction / vapor o.d. - sweat	3/4	3/4	3/4	7/8	7/8
Connections	Liquid o.d. - sweat	3/8	3/8	3/8	3/8	3/8
in.	Condensate drain (fpt)	(2) 3/4	(2) 3/4	(2) 3/4	(2) 3/4	(2) 3/4
Shipping Data - lbs.		48	46	50	55	60

SPECIFICATIONS		4 TO 5 TON			
General Data	Model No.	CX35-49C-6F	CX35-50/60C-6F	CX35-60C-6F	CX35-60D-6F
	Nominal size - Tons	4	4 / 5	5	5
	Factory Installed Expansion Valve	12J20	12J20	12J20	12J20
Line	Suction / vapor o.d. - sweat	7/8	7/8	7/8	7/8
Connections	Liquid o.d. - sweat	3/8	3/8	3/8	3/8
in.	Condensate drain (fpt)	(2) 3/4	(2) 3/4	(2) 3/4	(2) 3/4
Shipping Data - lbs.		70	60	73	72



NOTE – Due to Lennox' ongoing commitment to quality, Specifications, Ratings and Dimensions subject to change without notice and without incurring liability. Improper installation, adjustment, alteration, service or maintenance can cause property damage or personal injury. Installation and service must be performed by a qualified installer and servicing agency.



PRODUCT CATALOG

**Upflow - Cased
1.5 to 5 Tons**

NOTE - Air Conditioning Only!

Page 17
January 2016
Supersedes January 2015

FEATURES

Refrigerant System

Aluminum tube and hairpin construction with enhanced rippled aluminum fins.
Copper distributor, header tubes and refrigerant sweat connections.
Twin coil construction in an "A" configuration for large surface area.
UV-resistant polymer drain pan with dual fpt drain connections.
Optional expansion valve is required.

Cabinet

Pre-painted cabinet finish.
Fully insulated cabinet with thick fiberglass insulation.

Coil Match-Up

All C35 cased upflow indoor coils match furnaces with same letter designation in model number.



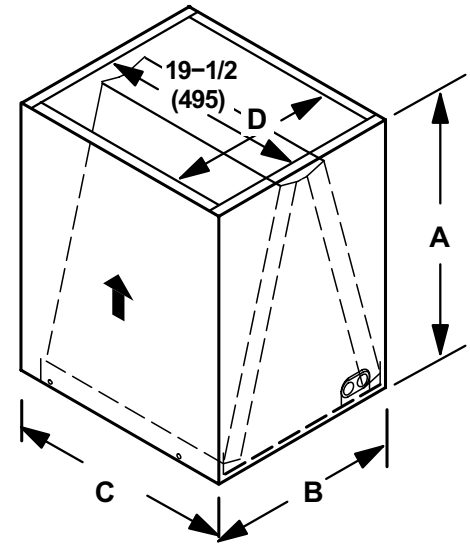
LIMITED WARRANTY

All covered components - five years
Refer to Lennox Equipment Limited Warranty certificate included with equipment for details

ACCESSORIES

- Expansion Valve Kits (required)

DIMENSIONS



Model No.	A		B		C		D		Inlet - W		Inlet - D	
	in.	mm	in.	mm	in.	mm	in.	mm	in.	mm	in.	mm
C35-18/24A-2F	16-1/2	419	14-1/2	368	21	533	13	330	13-3/8	340	20-7/16	519
C35-18/24B-2F	16-1/2	419	17-1/2	445	21	533	16	406	16-3/8	416	20-7/16	519
C35-24A-2F	18-1/2	470	14-1/2	368	21	533	13	330	13-3/8	340	20-7/16	519
C35-24B-2F	18-1/2	470	17-1/2	445	21	533	16	406	16-3/8	416	20-7/16	519
C35-30A-2F	22-1/2	572	14-1/2	368	21	533	13	330	13-3/8	340	20-7/16	519
C35-30B-2F	22-1/2	572	17-1/2	445	21	533	16	406	16-3/8	416	20-7/16	519
C35-30/36A-2F	24-1/2	622	14-1/2	368	21	533	13	330	13-3/8	340	20-7/16	519
C35-30/36B-2F	24-1/2	622	17-1/2	445	21	533	16	406	16-3/8	416	20-7/16	519
C35-30/36C-2F	24-1/2	622	21	533	21	533	19-1/2	495	19-7/8	505	20-7/16	519
C35-36A-2F	24-1/2	622	14-1/2	368	21	533	13	330	13-3/8	340	20-7/16	519
C35-36B-2F	24-1/2	622	17-1/2	445	21	533	16	406	16-3/8	416	20-7/16	519
C35-48B-2F	27-1/2	699	17-1/2	445	21	533	16	406	16-3/8	416	20-7/16	519
C35-48C-2F	27-1/2	699	21	533	21	533	19-1/2	495	19-7/8	505	20-7/16	519
C35-49C-2F	29-1/2	749	21	533	22	559	19-1/2	495	19-7/8	505	21-7/16	545
C35-50/60C-2F	27-1/2	699	21	533	21	533	19-1/2	495	19-7/8	505	20-7/16	519
C35-60C-2F	31-1/2	800	21	533	22	559	19-1/2	495	19-7/8	505	21-7/16	545
C35-60D-2F	29-1/2	749	24-1/2	622	21	533	23	584	23	584	20-7/16	519

NOTE- C35-60D coil is positioned with coil running left to right, all other coil sizes are positioned like drawing.

NOTE - Due to Lennox' ongoing commitment to quality, Specifications, Ratings and Dimensions subject to change without notice and without incurring liability. Improper installation, adjustment, alteration, service or maintenance can cause property damage or personal injury. Installation and service must be performed by a qualified installer and servicing agency.

SPECIFICATIONS		1.5 TO 2 TON			
General Data	Model No.	C35-18/24A-2F	C35-18/24B-2F	C35-24A-2F	C35-24B-2F
	Nominal size - Tons	1.5 / 2	1.5 / 2	2	2
Line	Suction / vapor o.d. - sweat	3/4	3/4	3/4	3/4
Connections in.	Liquid o.d. - sweat	3/8	3/8	3/8	3/8
	Condensate drain (fpt)	(2) 3/4	(2) 3/4	(2) 3/4	(2) 3/4
RFCIV metering device orifice size		0.053	0.053	0.057	0.057
Shipping Data - lbs.		30	34	38	43

SPECIFICATIONS		2.5 TO 3 TON			
General Data	Model No.	C35-30A-2F	C35-30B-2F	C35-30/36A-2F	C35-30/36B-2F
	Nominal size - Tons	2.5	2.5	2.5 / 3	2.5 / 3
Line	Suction / vapor o.d. - sweat	3/4	3/4	3/4	3/4
Connections in.	Liquid o.d. - sweat	3/8	3/8	3/8	3/8
	Condensate drain (fpt)	(2) 3/4	(2) 3/4	(2) 3/4	(2) 3/4
RFCIV metering device orifice size		0.067	0.067	0.057	0.057
Shipping Data - lbs.		45	50	41	45

SPECIFICATIONS		2.5 TO 4 TON				
General Data	Model No.	C35-30/36C-2F	C35-36A-2F	C35-36B-2F	C35-48B-2F	C35-48C-2F
	Nominal size - Tons	2.5 / 3	3	3	3.5 / 4	3.5 / 4
Line	Suction / vapor o.d. - sweat	3/4	3/4	3/4	7/8	7/8
Connections in.	Liquid o.d. - sweat	3/8	3/8	3/8	3/8	3/8
	Condensate drain (fpt)	(2) 3/4	(2) 3/4	(2) 3/4	(2) 3/4	(2) 3/4
RFCIV metering device orifice size		0.057	0.070	0.070	0.071	0.071
Shipping Data - lbs.		48	46	50	55	60

SPECIFICATIONS		4 TO 5 TON			
General Data	Model No.	C35-49C-2F	C35-50/60C-2F	C35-60C-2F	C35-60D-2F
	Nominal size - Tons	4	4 / 5	5	5
Line	Suction / vapor o.d. - sweat	7/8	7/8	7/8	7/8
Connections in.	Liquid o.d. - sweat	3/8	3/8	3/8	3/8
	Condensate drain (fpt)	(2) 3/4	(2) 3/4	(2) 3/4	(2) 3/4
RFCIV metering device orifice size		0.076	0.070	0.077	0.077
Shipping Data - lbs.		70	60	73	72



NOTE – Due to Lennox' ongoing commitment to quality, Specifications, Ratings and Dimensions subject to change without notice and without incurring liability. Improper installation, adjustment, alteration, service or maintenance can cause property damage or personal injury. Installation and service must be performed by a qualified installer and servicing agency.



INDOOR COILS CH35

PRODUCT CATALOG

Horizontal - Cased
1.5 to 5 Tons

Page 19

January 2016

Supersedes January 2015

NOTE - Air Conditioning Only!

FEATURES

Refrigerant System

Aluminum tube and hairpin construction with enhanced ripple-edged aluminum fins.

Copper distributor, header tubes and refrigerant sweat connections.

Twin coil construction in an "A" configuration for large surface area.

UV-resistant polymer drain pan with dual ft drain connections.

Optional expansion valve is required.

Cabinet

Pre-painted cabinet finish.

Fully insulated cabinet with thick fiberglass insulation.

Coil Match-Up

All CH35 cased horizontal indoor coils match furnaces with same letter designation in model number.

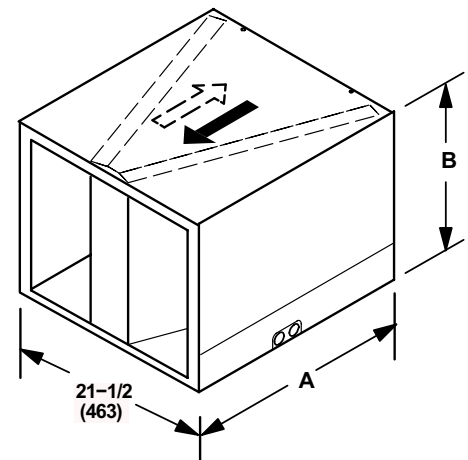


**NOTE - Not available in all areas!
Contact your nearest Lennox Sales Office for details.**

ACCESSORIES

- Expansion Valve Kits (required)

DIMENSIONS



LIMITED WARRANTY

Limited Warranty

All covered components - five years
Refer to Lennox Equipment Limited Warranty certificate included with equipment for details

Model No.	A		B		Supply Opening				Return Opening			
					Height		Width		Height		Width	
	in.	mm	in.	mm	in.	mm	in.	mm	in.	mm	in.	mm
CH35-18A-2F	26-1/2	673	14-1/2	368	13	330	20	508	13-3/8	340	20-3/8	518
CH35-24A-2F	26-1/2	673	14-1/2	368	13	330	20	508	13-3/8	340	20-3/8	518
CH35-24B-2F	26-1/2	673	17-1/2	444	16	406	20	508	16-3/8	416	20-3/8	518
CH35-30A-2F	31-1/2	800	14-1/2	368	13	330	20	508	13-3/8	340	20-3/8	518
CH35-30B-2F	26-1/2	673	17-1/2	444	16	406	20	508	16-3/8	416	20-3/8	518
CH35-36A-2F	26-1/2	673	14-1/2	368	13	330	20	508	13-3/8	340	20-3/8	518
CH35-36B-2F	26-1/2	673	17-1/2	444	16	406	20	508	16-3/8	416	20-3/8	518
CH35-36C-2F	26-1/2	673	21	533	19-1/2	495	20	508	19-7/8	505	20-3/8	518
CH35-42B-2F	31-1/2	800	17-1/2	444	16	406	20	508	16-3/8	416	20-3/8	518
CH35-42C-2F	26-1/2	673	21	533	19-1/2	495	20	508	19-7/8	505	20-3/8	518
CH35-48B-2F	31-1/2	800	17-1/2	444	16	406	20	508	16-3/8	416	20-3/8	518
CH35-48C-2F	26-1/2	673	21	533	19-1/2	495	20	508	19-7/8	505	20-3/8	518
CH35-51C-2F	31-1/2	800	21	533	19-1/2	495	20	508	19-7/8	505	20-3/8	518
CH35-60D-2F	31-1/2	800	24-1/2	622	23	584	20	508	23-3/8	594	20-3/8	518

NOTE - Due to Lennox' ongoing commitment to quality, Specifications, Ratings and Dimensions subject to change without notice and without incurring liability. Improper installation, adjustment, alteration, service or maintenance can cause property damage or personal injury. Installation and service must be performed by a qualified installer and servicing agency.

SPECIFICATIONS		1.5 TO 3 TON						
General Data	Model No.	CH35 -18A-2F	CH35 -24A-2F	CH35 -24B-2F	CH35 -30A-2F	CH35 -30B-2F	CH35 -36A-2F	CH35 -36B-2F
	Nominal size - Tons	1.5	2	2	2.5	2.5	3	3
Line connections in.	Suction o.d. - sweat	3/4	3/4	3/4	3/4	3/4	3/4	3/4
	Liquid o.d. - sweat	3/8	3/8	3/8	3/8	3/8	3/8	3/8
	Condensate drain (fpt)	(2) 3/4	(2) 3/4	(2) 3/4	(2) 3/4	(2) 3/4	(2) 3/4	(2) 3/4
Shipping Data - lbs.		43	45	49	55	53	47	48

SPECIFICATIONS		3 TO 5 TON						
General Data	Model No.	CH35 -36C-2F	CH35 -42B-2F	CH35 -42C-2F	CH35 -48B-2F	CH35 -48C-2F	CH35 -51C-2F	CH35 -60D-2F
	Nominal size - Tons	3	3.5	3.5	3.5/4	3.5/4	4	5
Line connections in.	Suction o.d. - sweat	3/4	7/8	7/8	7/8	7/8	7/8	7/8
	Liquid o.d. - sweat	3/8	3/8	3/8	3/8	3/8	3/8	3/8
	Condensate drain (fpt)	(2) 3/4	(2) 3/4	(2) 3/4	(2) 3/4	(2) 3/4	(2) 3/4	(2) 3/4
Shipping Data - lbs.		55	66	60	60	59	69	78



NOTE – Due to Lennox' ongoing commitment to quality, Specifications, Ratings and Dimensions subject to change without notice and without incurring liability. Improper installation, adjustment, alteration, service or maintenance can cause property damage or personal injury. Installation and service must be performed by a qualified installer and servicing agency.



PRODUCT CATALOG

**AIR HANDLERS
CBX40UHV
DAVE LENNOX SIGNATURE® COLLECTION**

**Multi-Position - R-410A - Variable Speed Blower
2 to 5 Tons**

Optional Electric Heat - 2.5 to 25 kW

Page 1
January 2016
Supersedes June 2015

FEATURES

Refrigerant System

Copper tube construction with enhanced ripple-edged aluminum fins.

Twin coil construction in an "A" configuration for large surface area.

Dual, anti-microbial drain pans resist  growth of mold and mildew.

Factory installed R-410A Check/Expansion Valve.

Controls

iComfort® Control communicates information about the furnace to the optional iComfort® S30 thermostat.



24 Volt Transformer

Applicable to the iHarmony® Zoning System.

Variable-Speed Blower Motor

High efficiency, variable speed ECM (Electronically Commutated Motor) Maintains specified air volumes up to a maximum of 0.8 in. w.g. total external static.

IAQ Ready

Factory-installed MERV 16 Precision Pleat™ filter

Delta plate knock-out for optional Healthy Climate® UVC Germicidal Light

Cabinet

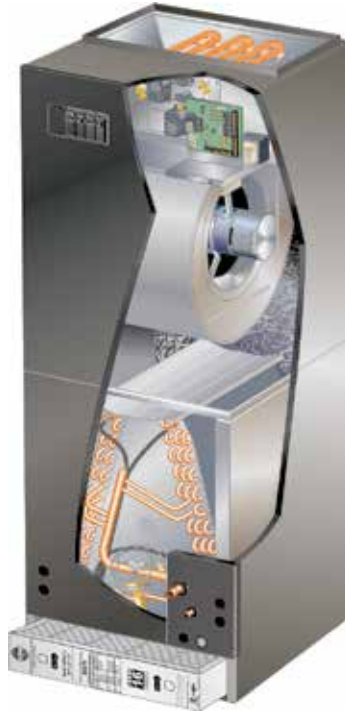
Multi-Position Capability with optional Downflow Conversion Kit.

Pre-painted cabinet finish.

Fully insulated cabinet with thick fiberglass insulation.

All models have less than 2% air leakage and meet ANSI/ASHRAE Standard 193-2010

Tool-less access.



ACCESSORIES

See page 16

Cabinet

- Downflow Additive Base
- Downflow Conversion Kit
- Healthy Climate® UVC Germicidal Light
- Horizontal Support Frame Kit (Upflow)
- Side Return Unit Stand (Upflow)
- Wall Hanging Bracket Kit

Controls

- iComfort® S30 Thermostat
- ComfortSense® 7500 Thermostat
- Thermostat
- iHarmony® Zoning System

Electric Heat

See page 13

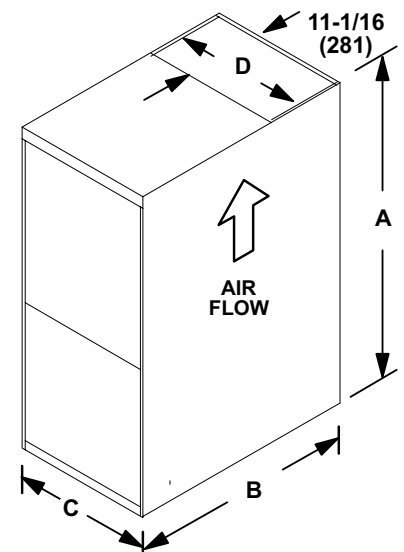
- Electric Heat - 2.5 to 25 kW
- Circuit Breaker Cover Kit
- Single-Point Power Source Control Box
- Single-Point Power Source Control Box

LIMITED WARRANTY

All covered components - Ten years
Refer to Lennox Equipment Limited Warranty certificate included with equipment for details

		-024	-042
		-030	-048
		-036	-060
A		55-1/4 (1403)	62-3/4 (1594)
B		22-5/8 (575)	25-5/8 (651)
C		21-1/4 (540)	21-1/4 (540)
D		19-3/4 (502)	19-3/4 (502)
Return Air	Width	20 (508)	20 (508)
	Depth	21 (633)	24 (610)

DIMENSIONS



NOTE - Due to Lennox' ongoing commitment to quality, Specifications, Ratings and Dimensions subject to change without notice and without incurring liability. Improper installation, adjustment, alteration, service or maintenance can cause property damage or personal injury. Installation and service must be performed by a qualified installer and servicing agency.

SPECIFICATIONS

General Data		Model Number	CBX40UHV -024	CBX40UHV -030	CBX40UHV -036	CBX40UHV -042	CBX40UHV -048	CBX40UHV -060
	Nominal tonnage		2	2.5	3	3.5	4	5
	Factory Installed Expansion Valve		12J18	12J18	12J19	12J20	12J20	12J20
Connections in.	Suction / vapor (o.d.) line - sweat		5/8	3/4	3/4	7/8	7/8	7/8
	Liquid line (o.d.) - sweat		3/8	3/8	3/8	3/8	3/8	3/8
	Condensate drain - in. (fpt)		(2) 3/4	(2) 3/4	(2) 3/4	(2) 3/4	(2) 3/4	(2) 3/4
Blower Data	Wheel nominal diameter x width - in.		11 x 8	11 x 8	11 x 8	11-1/2 x 9	11-1/2 x 9	11-1/2 x 9
	Motor output - hp		1/2	1/2	3/4	1	1	1
	Air Volume Range - cfm		385 - 1130	540 - 1320	900 - 1545	1205 - 2150	1205 - 2150	1250 - 2150
Filters MERV 16	¹ Size - in.		20 x 20 x 5	20 x 20 x 5	20 x 20 x 5	20 x 25 x 5	20 x 25 x 5	20 x 25 x 5
Shipping Data - 1 Package - lbs.			165	167	172	214	216	216

ELECTRICAL DATA

Voltage - phase - 60hz		208/230V-1ph					
² Maximum overcurrent protection (unit only)		15	15	15	20	20	20
³ Minimum circuit ampacity (unit only)		5	5	10	10	10	10

¹ Disposable frame type filter.

² HACR type circuit breaker or fuse.

³ Refer to National or Canadian Electrical Code manual to determine wire, fuse and disconnect size requirements. Use wires suitable for at least 167°F.





PRODUCT CATALOG

**AIR HANDLERS
CBX32MV**

DAVE LENNOX SIGNATURE® COLLECTION

**Multi-Position - R-410A - Variable Speed Blower
1.5 to 5+ Tons**

Optional Electric Heat - 2.5 to 25 kW

Page 3
January 2016
Supersedes June 2015

FEATURES

Refrigerant System

Copper tube construction with enhanced ripple-edged aluminum fins.

Twin coil construction in an "A" configuration for large surface area.

Dual, anti-microbial drain pans resist growth of mold and mildew.



Factory installed R-410A Check/Expansion Valve.

Controls

iComfort® Control communicates information about the furnace to the optional iComfort® S30 thermostat.



24 Volt Transformer

Applicable to the iHarmony® Zoning System.

Variable-Speed Blower Motor

High efficiency, variable speed ECM (Electronically Commutated Motor) Maintains specified air volumes up to a maximum of 0.8 in. w.g. total external static.

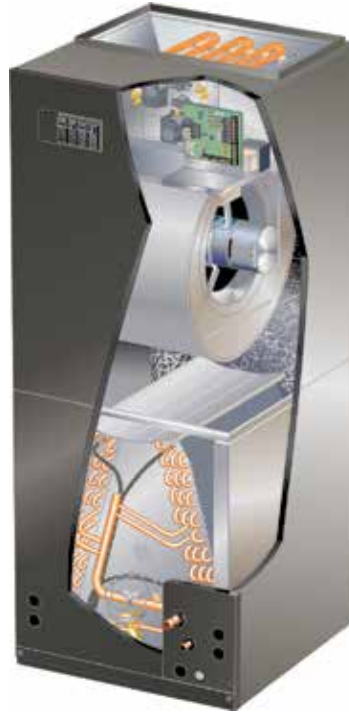
IAQ Ready

Delta plate knock-out for optional Healthy Climate® UVC Germicidal Light

Cabinet

Multi-Position Capability
Pre-painted cabinet finish.
Fully insulated cabinet with thick fiberglass insulation.
All models have less than 2% air leakage and meet ANSI/ASHRAE Standard 193-2010.

Tool-less access to disposable, frame-type filter



ACCESSORIES

See page 16

Cabinet

- Downflow Combustible Base
- Healthy Climate® UVC Germicidal Light
- Horizontal Support Frame Kit (Upflow)
- Side Return Unit Stand (Upflow)
- Wall Hanging Bracket Kit (Upflow)

Controls

- iComfort® S30 Thermostat
- ComfortSense® 7500 Thermostat
- Thermostat
- iHarmony® Zoning System

Electric Heat

See page 13

- Electric Heat - 2.5 to 25 kW
- Circuit Breaker Cover Kit
- Single-Point Power Source Control Box

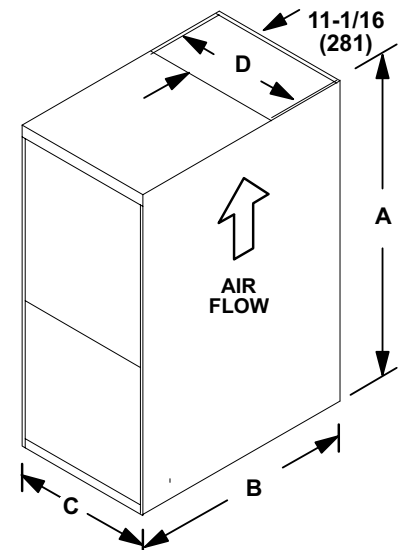
LIMITED WARRANTY

Limited Warranty

All covered components - Ten years
Refer to Lennox Equipment Limited Warranty certificate included with equipment for details

		-018/ 024	-024/ 030	-036	-048 -060	068
A		45-1/4 (1149)	49-1/4 (1251)	51 (1295)	58-1/2 (1486)	65 1651
B		20-5/8 (524)	20-5/8 (524)	22-5/8 (575)	24-5/8 (625)	26-5/8 (676)
C		16-1/4 (413)	21-1/4 (540)	21-1/4 (540)	21-1/4 (540)	21-1/4 (540)
D		14-3/4 (375)	19-3/4 (502)	19-3/4 (502)	19-3/4 (502)	19-3/4 (502)
Return Air	Width	15 (381)	20 (508)	20 (508)	20 (508)	20 (508)
	Depth	19 (483)	19 (483)	21 (533)	23 (584)	25 (635)

DIMENSIONS



NOTE - Due to Lennox' ongoing commitment to quality, Specifications, Ratings and Dimensions subject to change without notice and without incurring liability. Improper installation, adjustment, alteration, service or maintenance can cause property damage or personal injury. Installation and service must be performed by a qualified installer and servicing agency.

SPECIFICATIONS					
General Data		Model Number	CBX32MV-018/024	CBX32MV-024/030	CBX32MV-036
	Nominal tonnage		1.5 to 2	2 to 2.5	3
	Factory Installed Expansion Valve		12J18	12J18	12J19
Connections in.	Suction / vapor (o.d.) line - sweat		5/8	3/4	3/4
	Liquid line (o.d.) - sweat		3/8	3/8	3/8
	Condensate drain - in. (fpt)		(2) 3/4	(2) 3/4	(2) 3/4
Blower Data	Wheel nominal diameter x width - in.		10 x 7	10 x 8	10 x 8
	Motor output - hp		1/2	1/2	1/2
	Air Volume Range - cfm		385 - 1130	540 - 1320	900 - 1545
Filters	¹ Number and size - in.		(1) 15 x 20 x 1	(1) 20 x 20 x 1	(1) 20 x 20 x 1
Shipping Data - 1 Package - lbs.			126	152	183
ELECTRICAL DATA					
	Voltage - phase - 60hz		208/230V-1ph	208/230V-1ph	208/230V-1ph
	² Maximum overcurrent protection (unit only)		15	15	15
	³ Minimum circuit ampacity (unit only)		5	5	5

¹ Disposable frame type filter.

² HACR type circuit breaker or fuse.

³ Refer to National or Canadian Electrical Code manual to determine wire, fuse and disconnect size requirements. Use wires suitable for at least 167°F.

SPECIFICATIONS					
General Data		Model Number	CBX32MV-048	CBX32MV-060	CBX32MV-068
	Nominal tonnage		4	5	5+
	Factory Installed Expansion Valve		12J20	12J20	12J20
Connections in.	Suction / vapor (o.d.) line - sweat		7/8	7/8	1-1/8
	Liquid line (o.d.) - sweat		3/8	3/8	3/8
	Condensate drain - in. (fpt)		(2) 3/4	(2) 3/4	(2) 3/4
Indoor Coil	Net face area - ft. ²		7.22	7.22	7.77
	Tube outside diameter - in.		3/8	3/8	3/8
	Number of rows		3	3	3
	Fins per inch		12	12	12
Blower Data	Wheel nominal diameter x width - in.		12 x 9	12 x 9	15 x 9
	Motor output - hp		1	1	1
	Air Volume Range - cfm		1205 - 2150	1205 - 2150	1250 - 2150
Filters	¹ Number and size - in.		(1) 20 x 24 x 1	(1) 20 x 24 x 1	(1) 20 x 25 x 1
Shipping Data - 1 Package - lbs.			212	212	244
ELECTRICAL DATA					
	Voltage - phase - 60hz		208/230V-1ph	208/230V-1ph	208/230V-1ph
	² Maximum overcurrent protection (unit only)		20	20	20
	³ Minimum circuit ampacity (unit only)		11	11	11

¹ Disposable frame type filter.

² HACR type circuit breaker or fuse.

³ Refer to National or Canadian Electrical Code manual to determine wire, fuse and disconnect size requirements. Use wires suitable for at least 167°F.



NOTE – Due to Lennox' ongoing commitment to quality, Specifications, Ratings and Dimensions subject to change without notice and without incurring liability. Improper installation, adjustment, alteration, service or maintenance can cause property damage or personal injury. Installation and service must be performed by a qualified installer and servicing agency.



PRODUCT CATALOG

**AIR HANDLERS
CBX32M
ELITE® SERIES**

**Multi-Position - R-410A
1.5 to 5 Tons**

Optional Electric Heat - 2.5 to 25 kW

Page 5

January 2016

Supersedes June 2015

FEATURES

Refrigerant System

Copper tube construction with enhanced ripple-edged aluminum fins.

Twin coil construction in an “A” configuration for large surface area.

Dual, anti-microbial drain pans resist growth of mold and mildew.



Factory installed R-410A Check/Expansion Valve.

Controls

- 24 Volt Transformer
- Blower Cooling Relay
- Terminal Strip

Blower

Multi-speed, Direct-Drive Blower

Cabinet

Multi-Position Capability

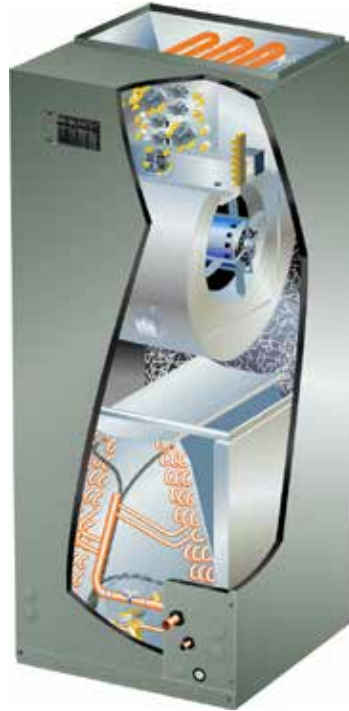
All models are shipped in one piece but can be separated for ease of installation.

Pre-painted cabinet finish.

Fully insulated cabinet with thick fiberglass insulation.

All models have less than 2% air leakage and meet ANSI/ASHRAE Standard 193-2010

Tool-less access to disposable, frame-type filter



ACCESSORIES

See page 16

Cabinet

- Downflow Combustible Base
- Downflow Conversion Kit
- Horizontal Support Frame Kit
- Side Return Unit Stand (Upflow)
- Wall Hanging Bracket Kit (Upflow)

Controls

- Thermostat

Electric Heat

See page 14

- Electric Heat - 2.5 to 30 kW
- Circuit Breaker Cover Kit
- Single-Point Power Source Control Box

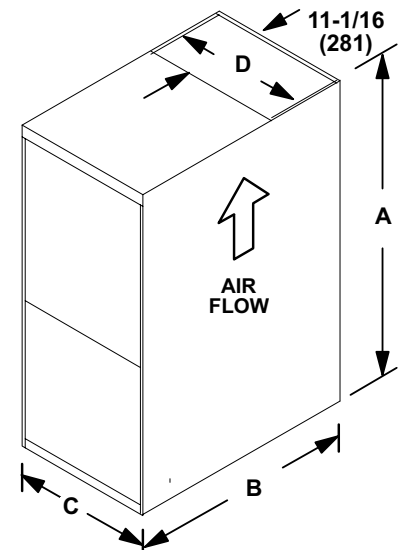
LIMITED WARRANTY

Limited Warranty

All covered components - Five years
Refer to Lennox Equipment Limited Warranty certificate included with equipment for details

		-018/ 024	-030	-036	-042	-048 -060
A		45-1/4 (1149)	49-1/4 (1251)	51 (1295)	52-1/2 (1334)	58-1/2 (1486)
B		20-5/8 (524)	20-5/8 (524)	22-5/8 (575)	22-5/8 (575)	24-5/8 (625)
C		16-1/4 (413)	21-1/4 (540)	21-1/4 (540)	21-1/4 (540)	21-1/4 (540)
D		14-3/4 (375)	19-3/4 (502)	19-3/4 (502)	19-3/4 (502)	19-3/4 (502)
Return Air	Width	15 (381)	20 (508)	20 (508)	20 (508)	20 (508)
	Depth	19 (483)	19 (483)	21 (533)	21 (533)	23 (584)

DIMENSIONS



NOTE – Due to Lennox’ ongoing commitment to quality, Specifications, Ratings and Dimensions subject to change without notice and without incurring liability. Improper installation, adjustment, alteration, service or maintenance can cause property damage or personal injury. Installation and service must be performed by a qualified installer and servicing agency.

SPECIFICATIONS

General Data		Model Number	CBX32M -018/024	CBX32M -030	CBX32M -036	CBX32M -042	CBX32M -048	CBX32M -060
	Nominal Tonnage		1.5 - 2	2.5	3	3.5	4	5
	Factory Installed Expansion Valve		12J18	12J18	12J19	12J20	12J20	12J20
Connections in.	Suction (vapor) line - sweat		5/8	3/4	3/4	7/8	7/8	7/8
	Liquid line - sweat		3/8	3/8	3/8	3/8	3/8	3/8
	Condensate drain - fpt		(2) 3/4	(2) 3/4	(2) 3/4	(2) 3/4	(2) 3/4	(2) 3/4
Blower Data	Wheel nom. diameter x width - in.		10 x 7	10 x 8	11 x 8	11 x 8	11-1/2 x 9	12 x 9
	Blower motor output - hp		1/5	1/3	1/3	1/3	1/3	1/2
	Air Volume Range - cfm		350 - 1030	335 - 1290	485 - 1525	700 - 1825	740 - 1910	1050 - 2115
Filters	¹ Number		1	1	1	1	1	1
	Size - in.		15 x 20 x 1	20 x 20 x 1	20 x 20 x 1	20 x 20 x 1	20 x 24 x 1	20 x 24 x 1
Shipping Data	lbs. (1 package)		136	157	177	181	206	206

ELECTRICAL DATA

	Voltage - 1 phase	208/230V	208/230V	208/230V	208/230V	208/230V	208/230V
	Voltage - 3 phase	---	---	⁴ 460V	---	⁴ 460V	⁴ 460V
²	Maximum overcurrent protection (unit only) all voltages	15	15	15	15	15	15
³	Minimum circuit ampacity (unit only) - 208/230V	2	2	2	3	3	5
	460V	---	---	2	---	2	3

¹ Disposable frame type filter.

² HACR type circuit breaker or fuse.

³ Refer to National or Canadian Electrical Code manual to determine wire, fuse and disconnect size requirements. Use wires suitable for at least 167°F.

⁴ Blower motor is 460V - 1 phase. Optional electric heat is 460V - 3 phase.





PRODUCT CATALOG

**AIR HANDLERS
CBX27UH
ELITE® SERIES**

Upflow / Horizontal - R410A
1.5 to 5 Tons
Optional Electric Heat - 2.5 to 25 kW

Page 7
January 2016
Supersedes June 2015

FEATURES

Refrigerant System

Copper tube construction with enhanced ripple-edged aluminum fins

Twin coil construction in an "A" configuration

Dual position, deep, corrosion resistant drain pans

Factory installed R-410A Check/Expansion valve

Controls

24 Volt Transformer

Blower Cooling Relay

Terminal Strip

Programmable Multi-speed Blower

High efficiency, multi-speed ECM (Electronically Commutated Motor) with electronic braking

IAQ Ready

Delta plate knock-out for optional Healthy Climate® UVC Germicidal Light

Cabinet

Upflow / Horizontal Configuration (downflow with optional kit)

Shipped in one piece but can be separated for ease of installation

Pre-painted cabinet finish

Fully insulated cabinet with thick fiberglass insulation

All models have less than 2% air leakage and meet ANSI/ASHRAE Standard 193-2010

Tool-less access to disposable, frame-type filter



LIMITED WARRANTY

All covered components - Five years
Refer to Lennox Equipment Limited Warranty certificate included with equipment for details

ACCESSORIES

See page 16

Cabinet

- Downflow Combustible Base
- Downflow Conversion Kit
- Healthy Climate® UVC Germicidal Light
- Horizontal Support Frame Kit
- Side Return Unit Stand (Upflow)
- Wall Hanging Bracket Kit (Upflow)

Controls

- ComfortSense® 7500 Thermostat
- Thermostat

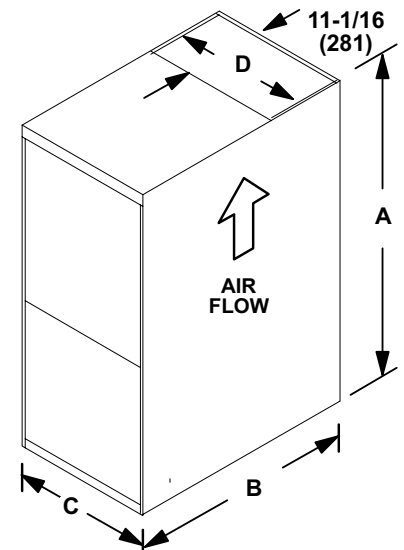
Electric Heat

See page 14

- Electric Heat - 2.5 to 25 kW
- Circuit Breaker Cover Kit
- Single-Point Power Source Control Box

		-018 -024	-030 -036	-042 -048	-060
A		49-1/4 (1251)	51 (1295)	58-1/2 (1486)	62-1/2 (1588)
B		20-5/8 (524)	22-5/8 (575)	24-5/8 (625)	24-5/8 (625)
C		21-1/4 (540)	21-1/4 (540)	21-1/4 (540)	21-1/4 (540)
D		19-3/4 (502)	19-3/4 (502)	19-3/4 (502)	19-3/4 (502)
Return Air	Width	20 (508)	20 (508)	20 (508)	20 (508)
	Depth	19 (483)	21 (533)	23 (584)	23 (584)

DIMENSIONS



NOTE - Due to Lennox' ongoing commitment to quality, Specifications, Ratings and Dimensions subject to change without notice and without incurring liability. Improper installation, adjustment, alteration, service or maintenance can cause property damage or personal injury. Installation and service must be performed by a qualified installer and servicing agency.

SPECIFICATIONS

General Data		Model Number	CBX27UH-018	CBX27UH-024	CBX27UH-030	CBX27UH-036
		Nominal tonnage	1.5	2	2.5	3
		Factory Installed Expansion Valve	12J18	12J18	12J18	12J19
Connections	Suction (vapor) line (o.d.) - in. sweat		3/4	3/4	3/4	3/4
	Liquid line (o.d.) - in. sweat		3/8	3/8	3/8	3/8
	Condensate - in. fpt		(2) 3/4	(2) 3/4	(2) 3/4	(2) 3/4
Blower	Wheel nominal diameter x width - in.		10 x 8	10 x 8	11 x 8	11 x 8
	Blower motor output - hp		1/2	1/2	1/2	1/2
	Air Volume Range - cfm		170-1010	320-1190	360-1365	515-1555
¹ Filters	Size of filter - in.		20 x 20 x 1	20 x 20 x 1	20 x 20 x 1	20 x 20 x 1
Shipping Data -1 package - lbs.			148	148	159	159

ELECTRICAL DATA

	Voltage - 1 phase - 60hz	208/230V-1ph	208/230V-1ph	208/230V-1ph	208/230V-1ph
	Voltage - 3 phase - 60hz	---	---	---	⁴ 460V-1ph
²	Maximum overcurrent protection (unit only) - All voltages	15	15	15	15
	Minimum circuit ampacity (unit only) - 208/230V	5	5	5	5
	Blower Motor Full Load Amps - 208/230V	4.1	4.1	4.1	4.1
³	Minimum circuit ampacity (unit only) - 460V	---	---	---	2.6
	Blower Motor Full Load Amps - 460V	---	---	---	2.1

¹ Disposable frame type filter.

² HACR type circuit breaker or fuse.

³ Refer to National or Canadian Electrical Code manual to determine wire, fuse and disconnect size requirements. Use wires suitable for at least 167°F.

⁴ Blower motor is 460V - 1 phase. Optional electric heat is 460V - 3 phase.

SPECIFICATIONS

General Data		Model Number	CBX27UH-042	CBX27UH-048	CBX27UH-060
		Nominal tonnage	3.5	4	5
		Factory Installed Expansion Valve	12J20	12J20	12J20
Connections	Suction (vapor) line (o.d.) - in. sweat		7/8	7/8	7/8
	Liquid line (o.d.) - in. sweat		3/8	3/8	3/8
	Condensate - in. fpt		(2) 3/4	(2) 3/4	(2) 3/4
Blower	Wheel nominal diameter x width - in.		12 x 9	12 x 9	12 x 9
	Blower motor output - hp		1	1	1
	Air Volume Range - cfm		825-1815	810-1860	965-2365
¹ Filters	Size of filter - in.		20 x 24 x 1	20 x 24 x 1	20 x 24 x 1
Shipping Data -1 package lbs.			194	194	216

ELECTRICAL DATA

	Voltage - 1 phase - 60hz	208/230V-1ph	208/230V- 1ph	208/230V- 1ph
	Voltage - 3 phase - 60hz	---	⁴ 460V-1ph	⁴ 460V-1ph
²	Maximum overcurrent protection (unit only) - All voltages	15	15	15
	Minimum circuit ampacity (unit only) - 208/230V	10	10	10
	Blower Motor Full Load Amps - 208/230V	7.6	7.6	7.6
³	Minimum circuit ampacity (unit only) - 460V	---	5	5
	Blower Motor Full Load Amps - 460V	---	4	4

¹ Disposable frame type filter.

² HACR type circuit breaker or fuse.

³ Refer to National or Canadian Electrical Code manual to determine wire, fuse and disconnect size requirements. Use wires suitable for at least 167°F.

⁴ Blower motor is 460V - 1 phase. Optional electric heat is 460V or 575V - 3 phase.



NOTE – Due to Lennox' ongoing commitment to quality, Specifications, Ratings and Dimensions subject to change without notice and without incurring liability.

Improper installation, adjustment, alteration, service or maintenance can cause property damage or personal injury.

Installation and service must be performed by a qualified installer and servicing agency.




FEATURES

Refrigerant System

Copper tube construction with enhanced ripple-edged aluminum fins

Twin coil construction in an "A" configuration

Anti-microbial dual position drain pans resist growth of mold and mildew. 

Factory installed R-410A Check/Expansion valve

Controls

BDC3 Electronic Blower Control

24 Volt Transformer

Blower Relay

Terminal Strip

Blower

Programmable Multi-Speed Blower Motor

Cabinet

Upflow / Horizontal Configuration
Pre-painted cabinet finish

Fully insulated cabinet with thick fiberglass insulation

All models have less than 2% air leakage and meet ANSI/ASHRAE Standard 193-2010

Tool-less access to disposable, frame-type filter



ACCESSORIES

See page 16

Cabinet

- Horizontal Support Frame Kit
- Side Return Unit Stand (Upflow)
- Wall Hanging Bracket Kit (Upflow)

Controls

- Thermostat

Electric Heat

See page 15

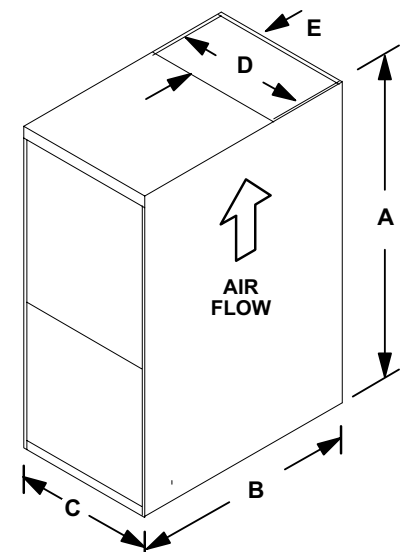
- Electric Heat - 2.5 to 20 kW
- Single-Point Power Source Control Box

LIMITED WARRANTY

All covered components - Five years
Refer to Lennox Equipment Limited Warranty certificate included with equipment for details

DIMENSIONS

		-018	-024	-030	-036	-042	-048 -060
A		38 (965)	40-1/2 (1029)	43 (1092)	48 (1219)	48 (1219)	52-1/2 (1334)
B		22 (559)	22 (559)	22 (559)	22 (559)	26 (660)	26 (660)
C		15 (381)	18-1/2 (470)	18-1/2 (470)	21-7/8 (556)	21-7/8 (556)	21-7/8 (556)
D		13 (330)	16-1/2 (419)	16-1/2 (419)	19-7/8 (505)	19-7/8 (505)	19-7/8 (505)
E		17 (432)	17 (432)	17 (432)	17 (432)	21 (533)	21 (533)
Return Air	Width	12-1/2 (318)	16 (406)	16 (406)	19-3/8 (492)	19-3/8 (492)	19-3/8 (492)
	Depth	20-3/4 (527)	20-3/4 (527)	20-3/4 (527)	20-3/4 (527)	24-3/4 (629)	24-3/4 (629)



NOTE - Due to Lennox' ongoing commitment to quality, Specifications, Ratings and Dimensions subject to change without notice and without incurring liability. Improper installation, adjustment, alteration, service or maintenance can cause property damage or personal injury. Installation and service must be performed by a qualified installer and servicing agency.

SPECIFICATIONS

General Data		Model Number	CBX25UHV-018	CBX25UHV-024	CBX25UHV-030	CBX25UHV-036
		Nominal tonnage	1.5	2	2.5	3
		Factory Installed Expansion Valve	12J18	12J18	12J18	12J19
Connections	Suction/Vapor line (o.d.) - in. sweat		3/4	3/4	7/8	7/8
	Liquid line (o.d.) - in. sweat		3/8	3/8	3/8	3/8
	Condensate - in. fpt		(2) 3/4	(2) 3/4	(2) 3/4	(2) 3/4
Indoor Coil	Net face area - ft. ²		3.11	3.56	4.00	4.89
	Tube outside diameter - in.		3/8	3/8	3/8	3/8
	Number of rows		3	3	3	3
	Fins per inch		14	14	14	14
Blower	Wheel nominal diameter x width - in.		9 x 6	9 x 6	10 x 8	10 x 8
	Blower motor output - hp		1/2	1/2	1/2	1/2
	Air Volume Range - cfm		350 - 1090	300 - 1125	340 - 1330	505 - 1435
¹ Filters	Size of filter - in.		12 x 20 x 1	15 x 20 x 1	15 x 20 x 1	18 x 20 x 1

ELECTRICAL DATA

Voltage - 1 phase (60 hz)		208/240V	208/240V	208/240V	208/240V
² Maximum overcurrent protection (unit only)		15	15	15	15
³ Minimum circuit ampacity (unit only)		4.9	4.9	4.9	4.9
Blower Motor Full Load Amps		3.9	3.9	3.9	3.9
Shipping Data -1 package - lbs.		105	123	126	161

SPECIFICATIONS

General Data		Model Number	CBX25UHV-042	CBX25UHV-048	CBX25UHV-060
		Nominal tonnage	3.5	4	5
		Factory Installed Expansion Valve	12J20	12J20	12J20
Connections	Suction/Vapor line (o.d.) - in. sweat		7/8	7/8	7/8
	Liquid line (o.d.) - in. sweat		3/8	3/8	3/8
	Condensate - in. fpt		(2) 3/4	(2) 3/4	(2) 3/4
Indoor Coil	Net face area - ft. ²		5.83	7.00	7.00
	Tube outside diameter - in.		3/8	3/8	3/8
	Number of rows		3	3	3
	Fins per inch		14	14	14
Blower	Wheel nominal diameter x width - in.		12 x 8	12 x 9	12 x 9
	Blower motor output - hp		3/4	1	1
	Air Volume Range - cfm		650 - 1800	850 - 2340	1015 - 2275
¹ Filters	Size of filter - in.		18 x 24 x 1	18 x 24 x 1	18 x 24 x 1

ELECTRICAL DATA

Voltage - 1 phase (60 hz)		208/240V	208/240V	208/240V
² Maximum overcurrent protection (unit only)		15	15	15
³ Minimum circuit ampacity (unit only)		6.5	8.6	8.6
Blower Motor Full Load Amps		5.2	6.9	6.9
Shipping Data -1 package - lbs.		163	186	186

¹ Disposable filter.

² HACR type circuit breaker or fuse.

³ Refer to National or Canadian Electrical Code manual to determine wire, fuse and disconnect size requirements. Use wires suitable for at least 167°F.



NOTE – Due to Lennox' ongoing commitment to quality, Specifications, Ratings and Dimensions subject to change without notice and without incurring liability. Improper installation, adjustment, alteration, service or maintenance can cause property damage or personal injury. Installation and service must be performed by a qualified installer and servicing agency.



PRODUCT CATALOG

**AIR HANDLERS
CBX25UH
MERIT® SERIES**

Upflow / Horizontal - R410A
1.5 to 5 Tons
Optional Electric Heat - 2.5 to 20 kW

Page 11
January 2016
Supersedes June 2015

FEATURES

Refrigerant System

Copper tube construction with enhanced ripple-edged aluminum fins

Twin coil construction in an "A" configuration

Anti-microbial dual position drain pans resist growth of mold and mildew.



Factory installed R-410A Check/Expansion valve

Controls

24 Volt Transformer
Blower Cooling Relay
Terminal Strip

Blower

Multi-Speed, Direct-Drive Blower

Cabinet

Upflow / Horizontal Configuration (downflow with optional kit)

Pre-painted cabinet finish

Fully insulated cabinet with thick fiberglass insulation

All models have less than 2% air leakage and meet ANSI/ASHRAE Standard 193-2010

Tool-less access to disposable, frame-type filter



ACCESSORIES

See page 16

Cabinet

- Downflow Conversion Kit
- Horizontal Support Frame Kit
- Side Return Unit Stand (Upflow)
- Wall Hanging Bracket Kit (Upflow)

Controls

- Thermostat

Electric Heat

See page 15

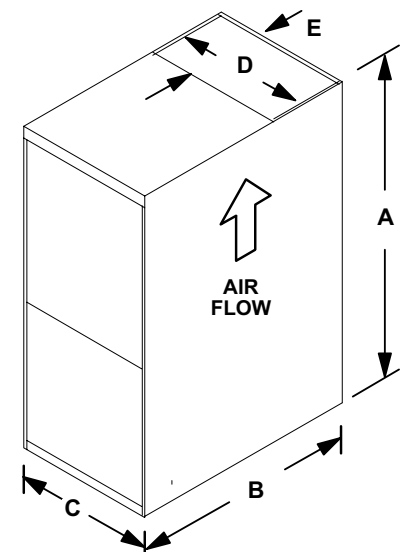
- Electric Heat - 2.5 to 20 kW
- Single-Point Power Source Control Box

LIMITED WARRANTY

All covered components - Five years
Refer to Lennox Equipment Limited Warranty certificate included with equipment for details

DIMENSIONS

		-018	-024	-030	-036	-042	-048 -060
A		38 (965)	40-1/2 (1029)	43 (1092)	48 (1219)	48 (1219)	52-1/2 (1334)
B		22 (559)	22 (559)	22 (559)	22 (559)	26 (660)	26 (660)
C		15 (381)	18-1/2 (470)	18-1/2 (470)	21-7/8 (556)	21-7/8 (556)	21-7/8 (556)
D		13 (330)	16-1/2 (419)	16-1/2 (419)	19-7/8 (505)	19-7/8 (505)	19-7/8 (505)
E		17 (432)	17 (432)	17 (432)	17 (432)	21 (533)	21 (533)
Return Air	Width	12-1/2 (318)	16 (406)	16 (406)	19-3/8 (492)	19-3/8 (492)	19-3/8 (492)
	Depth	20-3/4 (527)	20-3/4 (527)	20-3/4 (527)	20-3/4 (527)	24-3/4 (629)	24-3/4 (629)



NOTE – Due to Lennox' ongoing commitment to quality, Specifications, Ratings and Dimensions subject to change without notice and without incurring liability. Improper installation, adjustment, alteration, service or maintenance can cause property damage or personal injury. Installation and service must be performed by a qualified installer and servicing agency.

SPECIFICATIONS					
General Data	Model Number	CBX25UH-018	CBX25UH-024	CBX25UH-030	CBX25UH-036
	Nominal tonnage	1.5	2	2.5	3
	Factory Installed Expansion Valve	12J18	12J18	12J18	12J19
Connections	Suction/Vapor line (o.d.) - in. sweat	3/4	3/4	3/4	7/8
	Liquid line (o.d.) - in. sweat	3/8	3/8	3/8	3/8
	Condensate - in. fpt	(2) 3/4	(2) 3/4	(2) 3/4	(2) 3/4
Indoor Coil	Net face area - ft. ²	3.11	3.56	4.00	4.89
	Tube outside diameter - in.	3/8	3/8	3/8	3/8
	Number of rows	3	3	3	3
	Fins per inch	14	14	14	14
Blower	Wheel nominal diameter x width - in.	9 x 6	9 x 6	10 x 8	9 x 10
	Blower motor output - hp	1/5	1/3	1/3	1/2
	Air Volume Range - cfm	325 - 905	580 - 1130	740 - 1240	990 - 1660
¹ Filters	Size of filter - in.	12 x 20 x 1	15 x 20 x 1	15 x 20 x 1	18 x 20 x 1
Shipping Data -1 package - lbs.		105	123	126	161
ELECTRICAL DATA					
	Voltage - 1 phase (60 hz)	208/240V	208/240V	208/240V	208/240V
	² Maximum overcurrent protection (unit only)	15	15	15	15
	³ Minimum circuit ampacity (unit only)	1.4	2.0	2.4	2.9
	Blower Motor Full Load Amps	1.1	1.6	1.9	2.3

SPECIFICATIONS					
General Data	Model Number	CBX25UH-042	CBX25UH-048	CBX25UH-060	
	Nominal tonnage	3.5	4	5	
	Factory Installed Expansion Valve	12J20	12J20	12J20	
Connections	Suction/Vapor line (o.d.) - in. sweat	7/8	7/8	7/8	
	Liquid line (o.d.) - in. sweat	3/8	3/8	3/8	
	Condensate - in. fpt	(2) 3/4	(2) 3/4	(2) 3/4	
Indoor Coil	Net face area - ft. ²	5.83	7.00	7.00	
	Tube outside diameter - in.	3/8	3/8	3/8	
	Number of rows	3	3	3	
	Fins per inch	14	14	14	
Blower	Wheel nominal diameter x width - in.	12 x 8	11 x 9	12 x 9	
	Blower motor output - hp	1/3	1/2	1/2	
	Air Volume Range - cfm	1225 - 1820	1470 - 2070	1450 - 2140	
¹ Filters	Size of filter - in.	18 x 24 x 1	18 x 24 x 1	18 x 24 x 1	
Shipping Data -1 package - lbs.		163	186	186	
ELECTRICAL DATA					
	Voltage - 1 phase (60 hz)	208/240V	208/240V	208/240V	
	² Maximum overcurrent protection (unit only)	15	15	15	
	³ Minimum circuit ampacity (unit only)	2.4	4.9	4.9	
	Blower Motor Full Load Amps	1.9	3.9	3.9	

¹ Disposable filter.

² HACR type circuit breaker or fuse.

³ Refer to National or Canadian Electrical Code manual to determine wire, fuse and disconnect size requirements. Use wires suitable for at least 167°F.



NOTE – Due to Lennox' ongoing commitment to quality, Specifications, Ratings and Dimensions subject to change without notice and without incurring liability. Improper installation, adjustment, alteration, service or maintenance can cause property damage or personal injury. Installation and service must be performed by a qualified installer and servicing agency.



OPTIONAL ELECTRIC HEAT - ORDER SEPARATELY

Item	CBX32MV						CBX40UHV					
	-018/024	-024/030	-036	-048	-060	-068	-024	-030	-036	-042	-048	-060
208/240V-1ph - Terminal Block Models												
2.5 kW	ECB40-2.5	12L68	•					•				
4 kW	ECB40-4	12L76	•	•	•	•	•	•	•	•	•	•
5 kW	ECB40-5	12L79	•	•	•	•	•	•	•	•	•	•
6 kW	ECB40-6	12L86	•	•	•	•	•	•	•	•	•	•
8 kW	ECB40-8	12L87	•	•	•	•	•	•	•	•	•	•
208/240V-1ph - Circuit Breaker Models												
4 kW	ECB40-4CB	12L78	•	•	•	•	•	•	•	•	•	•
5 kW	ECB40-5CB	12L88	•	•	•	•	•	•	•	•	•	•
6 kW	ECB40-CB6	12L89	•	•	•	•	•	•	•	•	•	•
8 kW	ECB40-8CB	12L90	•	•	•	•	•	•	•	•	•	•
9 kW	ECB40-9CB	12L91		•	•	•	•	•	•	•	•	•
12.5 kW	ECB40-12.5CB	12L92		•	•	•	•		•	•	•	•
15 kW	ECB40-15CB	12L93		•	•	•	•		•	•	•	•
20 kW	ECB40-20CB	12L94			•	•	•			•	•	•
25 kW	ECB40-25CB	12L95				•	•				•	•
208/240V-3ph - Terminal Block Models												
8 kW	ECB40-8	12L96			•	•	•			•	•	•
10 kW	ECB40-10	12L97			•	•	•			•	•	•
208/240V-3ph - Circuit Breaker Models												
15 kW	ECB40-15CB	12L98			•	•	•			•	•	•
20 kW	ECB40-20CB	12L99			•	•	•			•	•	•
25 kW	ECB40-25CB	12M75				•	•				•	•

NOTE – Due to Lennox’ ongoing commitment to quality, Specifications, Ratings and Dimensions subject to change without notice and without incurring liability. Improper installation, adjustment, alteration, service or maintenance can cause property damage or personal injury. Installation and service must be performed by a qualified installer and servicing agency.



OPTIONAL ELECTRIC HEAT - ORDER SEPARATELY

Item			CBX32M						CBX27UH						
			-018/024	-030	-036	-042	-048	-060	-018	-024	-030	-036	-042	-048	-060
208/240V-1ph - Terminal Block Models															
2.5 kW	ECB29-2.5	12L27	•						•						
4 kW	ECB29-4	12L30	•	•	•	•	•	•	•	•	•	•	•	•	•
5 kW	ECB29-5	12L35	•	•	•	•	•	•	•	•	•	•	•	•	•
6 kW	ECB29-6	12L44	•	•	•	•	•	•	•	•	•	•	•	•	•
8 kW	ECB29-8	12L50	•	•	•	•	•	•	•	•	•	•	•	•	•
10 kW	ECB29-10	12L51							•	•	•	•			
208/240V-1ph - Circuit Breaker Models															
4 kW	ECB29-4CB	12L45	•	•	•	•	•	•	•	•	•	•	•	•	•
5 kW	ECB29-5CB	12L47	•	•	•	•	•	•	•	•	•	•	•	•	•
6 kW	ECB29-6CB	12L49	•	•	•	•	•	•	•	•	•	•	•	•	•
8 kW	ECB29-8CB	12L52	•	•	•	•	•	•	•	•	•	•	•	•	•
9 kW	ECB29-9CB	12L53	•	•	•	•	•	•	•	•	•	•	•	•	•
10 kW	ECB29-10CB	12L54	•	•	•	•	•	•	•	•	•				
12.5 kW	ECB29-12.5CB	12L55		•	•	•	•	•			•	•	•	•	•
15 kW	ECB29-15CB	12L56		•	•	•	•	•			•	•	•	•	•
20 kW	ECB29-20CB	12L58			•	•	•	•				•	•	•	•
25 kW	ECB29-25CB	12L59					•	•					•	•	•
30 kW	ECB29-30CB	12L60						•							
208/240V-3ph - Terminal Block Models															
8 kW	ECB29-8	12L61			•	•	•	•			•	•	•	•	•
10 kW	ECB29-10	12L62			•	•	•	•			•	•	•	•	•
208/240V-3ph - Circuit Breaker Models															
15 kW	ECB29-15CB	12L63			•	•	•	•			•	•	•	•	•
20 kW	ECB29-20CB	12L64			•	•	•	•				•	•	•	•
25 kW	ECB29-25CB	12L65					•	•					•	•	•
460V-3ph - Terminal Block Models															
10 kW	ECB29-10	28K47			•		•	•				•		•	•
15 kW	ECB29-15	28K48			•		•	•				•		•	•
20 kW	ECB29-20	28K49					•	•						•	•
25 kW	ECB29-25	28K50					•	•						•	•
575V-3ph - Terminal Block Models (575V to 460V step-down transformer furnished with 575V electric heaters for use with 460V air handlers in 575V applications)															
20 kW	ECB29-20	28K51					•	•						•	•
25 kW	ECB29-25	28K52					•	•						•	•

NOTE – Due to Lennox' ongoing commitment to quality, Specifications, Ratings and Dimensions subject to change without notice and without incurring liability. Improper installation, adjustment, alteration, service or maintenance can cause property damage or personal injury. Installation and service must be performed by a qualified installer and servicing agency. ©2016 Lennox Industries Inc.



OPTIONAL ELECTRIC HEAT - ORDER SEPARATELY

			CBX25UH / CBX25UHV						
			-018	-024	-030	-036	-042	-048	-060
208/240V-1ph - Wire Lead Models									
2.5 kW	ECB25-2.5	12R08	•	•	•	•	•		
208/240V-1ph - Terminal Block Models									
5 kW	ECB25-5	12R45	•	•	•	•	•	•	•
7.5 kW	ECB25-7.5	12R61	•	•	•	•	•	•	•
10 kW	ECB25-10	10Z43	•	•	•	•	•	•	•
208/240V-1ph - Circuit Breaker Models									
5 kW	ECB25-5CB	12R60	•	•	•	•	•	•	•
7.5 kW	ECB25-7.5CB	12S08	•	•	•	•	•	•	•
10 kW	ECB25-10CB	10T37	•	•	•	•	•	•	•
12.5 kW	ECB25-12.5CB	12S77			•	•	•	•	•
15 kW	ECB2655-15CB	12S87			•	•	•	•	•
20 kW	ECB2655-20CB	10T35						•	•

NOTE – Due to Lennox’ ongoing commitment to quality, Specifications, Ratings and Dimensions subject to change without notice and without incurring liability. Improper installation, adjustment, alteration, service or maintenance can cause property damage or personal injury. Installation and service must be performed by a qualified installer and servicing agency.



OPTIONAL ACCESSORIES

Item	CBX32M						CBX32MV						CBX40UHV									
	-024	-030	-036	-042	-048	-060	-018/024	-024/030	-036	-048	-060	-068	-024	-030	-036	-042	-048	-060				
Circuit Breaker Cover Kit	•	•	•	•	•	•	•	•	•	•	•	•	•	•	•	•	•	•	•	•	•	•
ComfortSense® 7500 Thermostat																						
Dehumidification Relay Kit																						
Discharge Air Sensor (For EvenHeater Applications)																						
Downflow Combustible Flooring Base	•						•															
Downflow Conversion Kit		•	•	•	•	•																
Filter Base 3 in. base height for 1 or 2 in. thick filters	•						•															
Filter Base 6 in. base height for 1, 2 or 4 in. thick filters																						
Healthy Climate® UVC Germicidal Light																						
Horizontal Support Frame Kit																						
iComfort® S30 Thermostat																						
Side Return Unit Stand (Upflow Only)																						
Single Point Power Source Control Box (2 or 3 circuits)																						
Wall Hanging Bracket Kit (Upflow Only)																						

¹ Cabinet size D x W - 17-3/8 x 22 in.
² Cabinet size D x W - 21-3/8 x 22 in.
³ Cabinet size D x W - 26-3/8 x 22 in.

NOTE - Due to Lennox' ongoing commitment to quality, Specifications, Ratings and Dimensions subject to change without notice and without incurring liability. Improper installation, adjustment, alteration, service or maintenance can cause property damage or personal injury. Installation and service must be performed by a qualified installer and servicing agency.



OPTIONAL ACCESSORIES

Item	CBX25UHV						CBX25UH						CBX27UH									
	-018	-024	-030	-036	-042	-048	-060	-018	-024	-030	-036	-042	-048	-060	-018	-024	-030	-036	-042	-048	-060	
Circuit Breaker Cover Kit																						
ComfortSense® 7500 Thermostat																						
Dehumidification Relay Kit																						
Downflow Combustible Flooring Base																						
Downflow Conversion Kit																						
96W37																						
96W38																						
97W95																						
97W96																						
83M57																						
Filter Base 3 in. base height for 1 or 2 in. thick filters																						
32X55 ¹ ACE2020-3 Filter - 20 x 20																						
32X57 ² ACE2025-3 Filter - 25 x 20																						
Filter Base 6 in. base height for 1, 2 or 4 in. thick filters																						
62N01 ¹ ACE2020-6 Filter - 20 x 20																						
32X58 ² ACE2025-6 Filter - 25 x 20																						
Healthy Climate® UVC Germicidal Light																						
X9423 UVC-24V (24V)																						
X9424 UVC-41W-S (110/230V-1 ph)																						
X9900 Shielding Baffle (required)																						
Horizontal Support Frame Kit																						
56J18																						
Side Return Unit Stand (Upflow Only)																						
45K31																						
45K32																						
Single Point Power Source Control Box (2 or 3 circuits)																						
21H39																						
Wall Hanging Bracket Kit (Upflow Only)																						
45K30																						

¹ Cabinet size D x W - 21-3/8 x 22 in.

² Cabinet size D x W - 26-3/8 x 22 in.

NOTE - Due to Lennox' ongoing commitment to quality, Specifications, Ratings and Dimensions subject to change without notice and without incurring liability. Improper installation, adjustment, alteration, service or maintenance can cause property damage or personal injury. Installation and service must be performed by a qualified installer and servicing agency.



PRODUCT CATALOG

MINI-SPLIT SYSTEMS MS8Z LENNOX® 8 SERIES

Multi-Zone Heat Pump System - R-410A
SEER - Up to 16.00
HSPF - 8.20

Page 1

January 2016

Supersedes June 2015

FEATURES

OUTDOOR UNITS

Zoning

Multi-zone heat pumps allow two, three, or four indoor units to be connected to one outdoor unit.

Compressor

Variable frequency rotary compressor

Controls

DC inverter control

Outdoor unit microprocessor

Electronic expansion valve

Compressor overcurrent protection

Condenser high temperature protection

High pressure discharge temperature protection

Intelligent Power Module (IPM) Protection

Low voltage protection

Terminal strip

Defrost control

Reversing valve

Outdoor Unit Cabinet

Heavy gauge steel

Condensate drain outlets

Access cover for power and control wiring

Access cover for service valves

INDOOR UNITS

Indoor Unit Cabinet

High impact plastic cabinet

Unit display on front of cabinet

Wall mounting plate furnished

Air deflection louvers

Coil

Copper tubes/aluminum fins

Condensate drain

Blower

Dual cross-flow centrifugal blower

Turbo function

Cold Blow prevention



Filter

Cleanable filter

Controls

Indoor Unit Microprocessor

Terminal Strip

Indoor Coil Freeze Protection

Time Delay

Auto Operation

WIRELESS REMOTE CONTROL (FURNISHED)

Complete remote control of system.

LIMITED WARRANTY

Compressor - five years

All covered components - five years

Refer to Lennox Equipment Limited

Warranty certificate included with equipment for details

DIMENSIONS

See page 11

ACCESSORIES

See page 4

Outdoor Unit

- Condenser Pad
- Disconnect
- Fuses
- Line Sets
- Male Flare Adaptor (required)
- Wall Brackets
- Whips

Indoor Unit

- Condensate Pump
- Drain Line
- Indoor/Outdoor Wiring Cable
- Remote Control Holder

Installation Kits And Tools

- Universal Mini-Split Installation Kit
- Speedichannel™ System

NOTE - Due to Lennox' ongoing commitment to quality, Specifications, Ratings and Dimensions subject to change without notice and without incurring liability. Improper installation, adjustment, alteration, service or maintenance can cause property damage or personal injury. Installation and service must be performed by a qualified installer and servicing agency.

©2016 Lennox Industries Inc.

SPECIFICATIONS - OUTDOOR UNIT

Model No.		MS8-ZO-18P2	MS8-ZO-24P3	MS8-ZO-30P4	MS8-ZO-36P4
Number of Zones		2	2 or 3	2, 3 or 4	4
Ambient Temperature Operating Range - °F	Cooling	23 - 118	23 - 118	23 - 118	23 - 118
	Heating	5 - 80	5 - 80	5 - 80	5 - 80
Connections No. (in.)	Liquid line o.d. - flare	(2) 1/4	(3) 1/4	(4) 1/4	(4) 1/4
	Suction line o.d. - flare	(2) 3/8	(3) 3/8	(4) 3/8	(4) 3/8
Refrigerant (R-410A) furnished		2 lbs. 9 oz.	4 lbs. 8 oz.	4 lbs. 8 oz.	6 lbs. 4 oz.
Outdoor Coil	Net face area - sq. ft.	4.5	6.3	6.3	10.9
	Tube diameter - in.	5/16	3/8	3/8	1/3
	Number of rows	2	2	2	2
	Fins per inch	18	18	18	18
Outdoor Fan Motor (cfm)	Diameter - in.	17-1/2	20-1/2	20-1/2	22
	No. of blades	3	3	3	3
	High	2600	3300	3300	2200
	Standard	2300	2900	2900	1600
	Low	1600	2400	2400	1400
Outdoor Fan Motor Rpm	High	830	690	690	820
	Standard	670	600	600	640
	Low	500	500	500	560
Shipping Data - lbs.		106	145	148	152

ELECTRICAL DATA

Line voltage data - 60 hz - 1ph		208/230V	208/230V	208/230V	208/230V	
¹ Max. overcurrent protection (amps)		25	40	40	45	
² Minimum circuit ampacity		15	25	25	26	
Compressor	Locked rotor amps	27	45	45	---	
	Rated load amps	10	13	13	21	
³ Compressor Power Input (W)	Cooling	High	680	650	650	---
		Standard	1650	3050	3450	2200
		Low	2800	4500	4500	---
	Heating	High	680	980	980	---
		Standard	1640	2800	2850	2200
		Low	2800	3950	3950	---
Outdoor Fan Motor	Rated load amps	0.54	0.59	0.59	---	
	Output (W)	60	60	60	120	

NOTE - Extremes of operating range are plus 10% and minus 5% of line voltage.

¹ HACR type circuit breaker or fuse.

² Refer to National or Canadian Electrical Code manual to determine wire, fuse and disconnect size requirements.

³ Rated Input



NOTE - Due to Lennox' ongoing commitment to quality, Specifications, Ratings and Dimensions subject to change without notice and without incurring liability.

Improper installation, adjustment, alteration, service or maintenance can cause property damage or personal injury.

Installation and service must be performed by a qualified installer and servicing agency.

SPECIFICATIONS - INDOOR UNIT				
Model No.		MS8-HI-09P1	MS8-HI-12P1	MS8-HI-18P1
Connections (in.)	Liquid line o.d. - flare	1/4	1/4	1/4
	Suction line o.d. - flare	3/8	3/8	1/2
Indoor Blower Air Volume (cfm)	Maximum	305	335	500
	High	275	275	460
	Medium	255	255	385
	Low	220	220	325
Indoor Blower RPM (Cooling/Heating)	Maximum	1260/1320	1330/1350	1500/1500
	High	1100/1200	1100/1170	1200/1250
	Medium	950/1100	950/1050	1050/1150
	Low	750/950	750/950	900/1050
Indoor Coil	Net face area - sq. ft.	1.65	1.65	2.33
	Tube diameter - in.	1/4	1/4	1/4
	Number of rows	2	2	2
	Fins per inch	17	17	17
Indoor Blower	Diameter x Length	3.6 in. x 25.4 in.	3.6 in. x 25.4 in.	3.9 in. x 28 in.
	Type	Cross-flow	Cross-flow	Cross-flow
Shipping Data - lbs.		31	29	38
ELECTRICAL DATA				
Line voltage data - 60 hz - 1ph		208/230V	208/230V	208/230V
Rated Load Amps		0.20	0.20	0.32
Output (W)		20	20	20

NOTE – Due to Lennox’ ongoing commitment to quality, Specifications, Ratings and Dimensions subject to change without notice and without incurring liability. Improper installation, adjustment, alteration, service or maintenance can cause property damage or personal injury. Installation and service must be performed by a qualified installer and servicing agency.

OPTIONAL ACCESSORIES - ORDER SEPARATELY

Description	Catalog No.	Size						
		09	12	18	24	30	36	
OUTDOOR UNIT								
Condenser Pad (18 x 36 x 2)	48X92			•	•	•	•	
Disconnects	30 amp, fused, 1 ph	27P37			•	•	•	
	60 amp, non-fused, 1 ph	27P39			•	•	•	
Fuses	30A	83P75			•	•	•	
	60A	83P77			•	•	•	
Line Sets	1/4 in. x 3/8 in. x 25 ft.	90X53	No outdoor units available in these sizes			•	•	
	1/4 in. x 3/8 in. x 50 ft.	X0258				•	•	
	¹ 1/4 in. x 1/2 in. x 25 ft.	90X52		N/A		•	•	
	¹ 1/4 in. x 1/2 in. x 50 ft.	X0259		N/A		•	•	
Male Flare Adaptor	5/16 in. quick connect x 1/4 in. MF	Y0576				•	•	•
Wall Brackets	30 inch	Y5020				•	•	N/A N/A
	36 inch	Y5021				N/A	N/A	• •
Whips	10 Gauge - 1/2 in. x 6 ft.	29P54				•	•	• •
	8 Gauge - 3/4 in. x 6 ft.	27P44				•	•	• •
INDOOR UNIT								
Condensate Pump - ClearVue Mini™ - 7.9 US gallons per hour, 35 ft. lift - 120/240V	Y5170	•	•	•			No indoor units available in these sizes	
Condensate Mini-Split Drain Line - 5/8 in. I.D. 160 ft.	Y3401	•	•	•				
Indoor/Outdoor Wiring Cable - 14 Gauge, 4 conductor wire, THHN, 250 ft.	Y2067	•	•	•				
Wireless Remote Control Holder	Y5073	•	•	•				
INSTALLATION KIT								
Universal Mini-Split Installation Kit	Y3247	•	•	•	•	•	•	
SPEEDICHANNEL™ SYSTEM								
SpeediChannel™ Starter Kit - 4 in.	Y3387			•	•	•	•	
SpeediChannel - 4 in. x 6-1/2 ft.	Y3388			•	•	•	•	
Union Coupling - 4 in.	Y3389			•	•	•	•	
90° Flat Bend Elbow - 4 in.	Y3390			•	•	•	•	
90° Inside Elbow - 4 in.	Y3391			•	•	•	•	
45° Flat Bend Elbow - 4 in.	Y3392			•	•	•	•	
Flex Joint - 4 in.	Y3393			•	•	•	•	
T-Joint - 4 in.	Y3394			•	•	•	•	
Duct End - 4 in.	Y3395			•	•	•	•	
Flat Wall Escutcheon - 4 in.	Y3396			•	•	•	•	
Wall Penetration Cover - 4 in.	Y3399			•	•	•	•	
Mount Block (White) Qty, 2 - 14 in.	Y3397			•	•	•	•	
Mount Block (White) Qty, 2 - 36 in.	Y3398			•	•	•	•	

¹ Two 3/8 to 1/2 in. refrigerant line adaptors are furnished with MS8-ZO-24P3, MS8-ZO-30P4 and MS8-ZO-36P4 outdoor units for the suction line connection to the outdoor unit when 1/4 in. x 1/2 in. line sets are used with MS8-HI-18P1 indoor units.

NOTE - In system matches utilizing only one MS8-HI-18P1 indoor unit only one adaptor will be required.

See System Matches - Line Set Usage on page 5 for additional information.

SYSTEM MATCHES - LINE SET USAGE

Outdoor Model	Indoor Model	Line Set Required
MS8-ZO-18P2	(2) MS8-HI-09P1	(2) 1/4 in. x 3/8 in.
	(1) MS8-HI-09P1	(1) 1/4 in. x 3/8 in.
	(1) MS8-HI-12P1	(1) 1/4 in. x 3/8 in.
¹ MS8-ZO-24P3	(2) MS8-HI-09P1	(2) 1/4 in. x 3/8 in.
	(1) MS8-HI-09P1	(1) 1/4 in. x 3/8 in.
	(1) MS8-HI-12P1	(1) 1/4 in. x 3/8 in.
	(1) MS8-HI-09P1	(1) 1/4 in. x 3/8 in.
	(1) MS8-HI-18P1	¹ (1) 1/4 in. x 1/2 in.
	(2) MS8-HI-12P1	(2) 1/4 in. x 3/8 in.
	(1) MS8-HI-12P1	(1) 1/4 in. x 3/8 in.
	(1) MS8-HI-18P1	¹ (1) 1/4 in. x 1/2 in.
	(2) MS8-HI-18P1	¹ (2) 1/4 in. x 1/2 in.
	(3) MS8-HI-09P1	(3) 1/4 in. x 3/8 in.
	(2) MS8-HI-09P1	(2) 1/4 in. x 3/8 in.
	(1) MS8-HI-12P1	(1) 1/4 in. x 3/8 in.
	(2) MS8-HI-09P1	(2) 1/4 in. x 3/8 in.
	(1) MS8-HI-18P1	¹ (1) 1/4 in. x 1/2 in.
	(1) MS8-HI-09P1	(1) 1/4 in. x 3/8 in.
	(2) MS8-HI-12P1	(2) 1/4 in. x 3/8 in.
	(3) MS8-HI-12P1	(3) 1/4 in. x 3/8 in.

¹ Two 3/8 to 1/2 in. refrigerant line adaptors are furnished with MS8-ZO-24P3 and MS8-ZO-30P4 outdoor units for the suction line connection to the outdoor unit when 1/4 in. x 1/2 in. line sets are used with MS8-HI-18P1 indoor units.

NOTE - In system matches utilizing only one MS8-HI-18P1 indoor unit only one adaptor will be required.

SYSTEM MATCHES - LINE SET USAGE

Outdoor Model	Indoor Model	Line Set Required
¹ MS8-ZO-30P4	(2) MS8-HI-09P1	(2) 1/4 in. x 3/8 in.
	(1) MS8-HI-09P1	(1) 1/4 in. x 3/8 in.
	(1) MS8-HI-12P1	(1) 1/4 in. x 3/8 in.
	(1) MS8-HI-09P1	(1) 1/4 in. x 3/8 in.
	(1) MS8-HI-18P1	¹ (1) 1/4 in. x 1/2 in.
	(2) MS8-HI-12P1	(2) 1/4 in. x 3/8 in.
	(1) MS8-HI-12P1	(1) 1/4 in. x 3/8 in.
	(1) MS8-HI-18P1	¹ (1) 1/4 in. x 1/2 in.
	(2) MS8-HI-18P1	¹ (2) 1/4 in. x 1/2 in.
	(3) MS8-HI-09P1	(3) 1/4 in. x 3/8 in.
	(2) MS8-HI-09P1	(2) 1/4 in. x 3/8 in.
	(1) MS8-HI-12P1	(1) 1/4 in. x 3/8 in.
	(2) MS8-HI-09P1	(2) 1/4 in. x 3/8 in.
	(1) MS8-HI-18P1	¹ (1) 1/4 in. x 1/2 in.
	(1) MS8-HI-09P1	(1) 1/4 in. x 3/8 in.
	(2) MS8-HI-12P1	(2) 1/4 in. x 3/8 in.
	(1) MS8-HI-09P1	(1) 1/4 in. x 3/8 in.
	(1) MS8-HI-12P1	(1) 1/4 in. x 3/8 in.
	(1) MS8-HI-18P1	¹ (1) 1/4 in. x 1/2 in.
	(3) MS8-HI-12P1	(3) 1/4 in. x 3/8 in.
	(1) MS8-HI-12P1	(1) 1/4 in. x 3/8 in.
	(2) MS8-HI-18P1	¹ (2) 1/4 in. x 1/2 in.
	(4) MS8-HI-09P1	(4) 1/4 in. x 3/8 in.
	(3) MS8-HI-09P1	(3) 1/4 in. x 3/8 in.
	(1) MS8-HI-12P1	(1) 1/4 in. x 3/8 in.
(2) MS8-HI-09P1	(2) 1/4 in. x 3/8 in.	
(2) MS8-HI-12P1	(2) 1/4 in. x 3/8 in.	

¹ Two 3/8 to 1/2 in. refrigerant line adaptors are furnished with MS8-ZO-24P3 and MS8-ZO-30P4 outdoor units for the suction line connection to the outdoor unit when 1/4 in. x 1/2 in. line sets are used with MS8-HI-18P1 indoor units.

NOTE - In system matches utilizing only one MS8-HI-18P1 indoor unit only one adaptor will be required.

SYSTEM MATCHES - LINE SET USAGE

Outdoor Model	Indoor Model	Line Set Required
¹ MS8-ZO-36P4	(2) MS8-HI-09P1	(2) 1/4 in. x 3/8 in.
	(1) MS8-HI-09P1	(1) 1/4 in. x 3/8 in.
	(1) MS8-HI-12P1	(1) 1/4 in. x 3/8 in.
	(1) MS8-HI-09P1	(1) 1/4 in. x 3/8 in.
	(1) MS8-HI-18P1	¹ (1) 1/4 in. x 1/2 in.
	(2) MS8-HI-12P1	(2) 1/4 in. x 3/8 in.
	(1) MS8-HI-12P1	(1) 1/4 in. x 3/8 in.
	(1) MS8-HI-18P1	¹ (1) 1/4 in. x 1/2 in.
	(2) MS8-HI-18P1	¹ (2) 1/4 in. x 1/2 in.
	(3) MS8-HI-09P1	(3) 1/4 in. x 3/8 in.
	(2) MS8-HI-09P1	(2) 1/4 in. x 3/8 in.
	(1) MS8-HI-12P1	(1) 1/4 in. x 3/8 in.
	(2) MS8-HI-09P1	(2) 1/4 in. x 3/8 in.
	(1) MS8-HI-18P1	¹ (1) 1/4 in. x 1/2 in.
	(1) MS8-HI-09P1	(1) 1/4 in. x 3/8 in.
	(2) MS8-HI-18P1	¹ (2) 1/4 in. x 1/2 in.
	(1) MS8-HI-09P1	(1) 1/4 in. x 3/8 in.
	(2) MS8-HI-12P1	(2) 1/4 in. x 3/8 in.
	(1) MS8-HI-09P1	(1) 1/4 in. x 3/8 in.
	(1) MS8-HI-12P1	(1) 1/4 in. x 3/8 in.
	(1) MS8-HI-18P1	¹ (1) 1/4 in. x 1/2 in.
	(3) MS8-HI-12P1	(3) 1/4 in. x 3/8 in.
	(1) MS8-HI-12P1	(1) 1/4 in. x 3/8 in.
	(2) MS8-HI-18P1	¹ (2) 1/4 in. x 1/2 in.
	(2) MS8-HI-12P1	(2) 1/4 in. x 3/8 in.
	(1) MS8-HI-18P1	¹ (1) 1/4 in. x 1/2 in.
	(3) MS8-HI-18P1	¹ (3) 1/4 in. x 1/2 in.

¹ Two 3/8 to 1/2 in. refrigerant line adaptors are furnished with MS8-ZO-36P4 outdoor unit for the suction line connection to the outdoor unit when 1/4 in. x 1/2 in. line sets are used with MS8-HI-18P1 indoor units.

NOTE - In system matches utilizing only one MS8-HI-18P1 indoor unit only one adaptor will be required.

SYSTEM MATCHES - LINE SET USAGE

Outdoor Model	Indoor Model	Line Set Required
¹ MS8-ZO-36P4	(4) MS8-HI-09P1	(4) 1/4 in. x 3/8 in.
	(3) MS8-HI-09P1	(3) 1/4 in. x 3/8 in.
	(1) MS8-HI-12P1	(1) 1/4 in. x 3/8 in.
	(2) MS8-HI-09P1	(2) 1/4 in. x 3/8 in.
	(2) MS8-HI-12P1	(2) 1/4 in. x 3/8 in.
	(2) MS8-HI-09P1	(2) 1/4 in. x 3/8 in.
	(1) MS8-HI-12P1	(1) 1/4 in. x 3/8 in.
	(1) MS8-HI-18P1	¹ (1) 1/4 in. x 1/2 in.
	(3) MS8-HI-09P1	(3) 1/4 in. x 3/8 in.
	(1) MS8-HI-18P1	¹ (1) 1/4 in. x 1/2 in.
	(1) MS8-HI-09P1	(1) 1/4 in. x 3/8 in.
	(3) MS8-HI-12P1	(3) 1/4 in. x 3/8 in.
	(1) MS8-HI-09P1	(1) 1/4 in. x 3/8 in.
	(2) MS8-HI-12P1	(2) 1/4 in. x 3/8 in.
	(1) MS8-HI-18P1	¹ (1) 1/4 in. x 1/2 in.
	(2) MS8-HI-09P1	(2) 1/4 in. x 3/8 in.
	(2) MS8-HI-18P1	¹ (2) 1/4 in. x 1/2 in.
	(4) MS8-HI-12P1	(4) 1/4 in. x 3/8 in.

¹ Two 3/8 to 1/2 in. refrigerant line adaptors are furnished with MS8-ZO-36P4 outdoor unit for the suction line connection to the outdoor unit when 1/4 in. x 1/2 in. line sets are used with MS8-HI-18P1 indoor units.

NOTE - In system matches utilizing only one MS8-HI-18P1 indoor unit only one adaptor will be required.

SYSTEM MATCHES

NOTES:

Per AHRI, the certified ratings for multi-zone mini-split systems are valid for all combinations of indoor units with the specific outdoor unit listed below and in the AHRI Directory of Certified Equipment. Please visit <http://www.ahridirectory.org> for further details.

Any system that is a combination of ALL NON-DUCTED indoor units (MS8-HI models) meets the rating requirement listed below.

AHRI Standard 210/240 Ratings								Indoor Unit Combinations				
Outdoor Model	Cooling Capacity	SEER	EER	Heat Capacity		HSPF Region IV	AHRI Ref. No.	Indoor Model	Cooling / Heating			
				High	Low				Zone 1	Zone 2	Zone 3	Zone 4
MS8-ZO-18P2	18,000	16.00	10.20	19,000	9,600	8.20	5454432	(1) MS8-HI-09P1	9,000/ 9,500	---	---	---
								(1) MS8-HI-12P1	12,000/ 13,000	---	---	---
								(2) MS8-HI-09P1	9,000/ 9,500	9,000/ 9,500	---	---
								(1) MS8-HI-09P1 (1) MS8-HI-12P1	9,000/ 9,500	12,000/ 13,000	---	---
MS8-ZO-24P3	26,000	16.00	8.20	29,000	17,000	8.20	5454433	(2) MS8-HI-09P1	9,000/ 9,500	9,000/ 9,500	---	---
								(1) MS8-HI-09P1 (1) MS8-HI-12P1	9,000/ 9,000	12,000/ 13,000	---	---
								(1) MS8-HI-09P1 (1) MS8-HI-18P1	8,400/ 9,000	16,600/ 18,000	---	---
								(2) MS8-HI-12P1	12,000/ 13,000	12,000/ 13,000	---	---
								(1) MS8-HI-12P1 (1) MS8-HI-18P1	10,000/ 11,200	15,000/ 16,800	---	---
								(2) MS8-HI-18P1	12,750/ 14,250	12,750/ 14,250	---	---
								(3) MS8-HI-09P1	8,665/ 9,665	8,665/ 9,665	8,665/ 9,665	---
								(2) MS8-HI-09P1 (1) MS8-HI-12P1	8,000/ 9,000	8,000/ 9,000	10,000/ 11,000	---
								(2) MS8-HI-09P1 (1) MS8-HI-18P1	7,000/ 6,000	7,000/ 6,000	12,000/ 17,000	---
								(1) MS8-HI-09P1 (2) MS8-HI-12P1	6,000/ 6,000	10,000/ 11,500	10,000/ 11,500	---
(3) MS8-HI-12P1	8,665/ 9,665	8,665/ 9,665	8,665/ 9,665	---								

¹ One MS8-ZO-18P2 Outdoor Unit may be matched with one MS8-HI-09P1 or one MS8-HI-12P1 Indoor Unit for single zone applications. A second indoor unit can be added at a later date for multi-zone applications.

NOTES:

- Ratings are AHRI certified to AHRI Standard 210/240;
- Cooling Ratings - 95°F outdoor air temperature and 80 °F db/67° F wb entering indoor coil air.
- High Temperature Heating Ratings - 47° F db/43° F wb outdoor air temperature and 70 °F db entering indoor coil air.
- Low Temperature Heating Ratings - 17 °F db/15° F wb outdoor air temperature and 70 °F db entering indoor coil air.

To convert HSPF from Region IV to Region V - Divide by 1.15.

SYSTEM MATCHES

NOTES:

Per AHRI, the certified ratings for multi-zone mini-split systems are valid for all combinations of indoor units with the specific outdoor unit listed below and in the AHRI Directory of Certified Equipment. Please visit <http://www.ahrirectory.org> for further details.

Any system that is a combination of ALL NON-DUCTED indoor units (MS8-HI models) meets the rating requirement listed below.

AHRI Standard 210/240 Ratings							Indoor Unit Combinations					
Outdoor Model	Cooling Capacity	SEER	EER	Heat Capacity		HSPF Region IV	AHRI Ref. No.	Indoor Model	Cooling / Heating			
				High	Low				Zone 1	Zone 2	Zone 3	Zone 4
MS8-ZO-30P4	29,000	16.00	7.30	30,400	16,500	8.20	5454434	(2) MS8-HI-09P1	9,000/ 9,500	9,000/ 9,500	---	---
								(1) MS8-HI-09P1	9,000/	12,000/	---	---
								(1) MS8-HI-12P1	9,500	13,000	---	---
								(1) MS8-HI-09P1	8,400/	16,600/	---	---
								(1) MS8-HI-18P1	9,000	18,000	---	---
								(2) MS8-HI-12P1	12,000/ 13,000	12,000/ 13,000	---	---
								(1) MS8-HI-12P1	10,000/	15,000/	---	---
								(1) MS8-HI-18P1	11,200	16,800	---	---
								(2) MS8-HI-18P1	12,750/ 14,250	12,750/ 14,250	---	---
								(3) MS8-HI-09P1	8,665/ 9,665	8,665/ 9,665	8,665/ 9,665	---
								(2) MS8-HI-09P1	8,000/	8,000/	10,000/	---
								(1) MS8-HI-12P1	9,000	9,000	11,000	---
								(2) MS8-HI-09P1	7,000/	7,000/	12,000/	---
								(1) MS8-HI-18P1	6,000	6,000	17,000	---
								(1) MS8-HI-09P1	6,000/	10,000/	10,000/	---
								(2) MS8-HI-12P1	6,000	11,500	11,500	---
								(1) MS8-HI-09P1	6,800/	7,200/	13,000/	---
								(1) MS8-HI-12P1	7,200	8,000	14,000	---
								(1) MS8-HI-18P1				
								(3) MS8-HI-12P1	8,665/ 9,665	8,665/ 9,665	8,665/ 9,665	---
(1) MS8-HI-12P1	6,500/	6,500/	15,000/	---								
(2) MS8-HI-18P1	7,200	7,000	16,000	---								
(4) MS8-HI-09P1	7,250/ 7,625	7,250/ 7,625	7,250/ 7,625	7,250/ 7,625								
(3) MS8-HI-09P1	7,000/	7,000/	7,000/	8,000/								
(1) MS8-HI-12P1	7,100	7,100	7,100	9,200								
(2) MS8-HI-09P1	6,800/	6,800/	7,700/	7,700/								
(2) MS8-HI-12P1	6,500	6,500	9,000	9,000								

NOTES:

Ratings are AHRI certified to AHRI Standard 210/240;

- Cooling Ratings - 95°F outdoor air temperature and 80 °F db/67° F wb entering indoor coil air.
- High Temperature Heating Ratings - 47° F db/43° F wb outdoor air temperature and 70 °F db entering indoor coil air.
- Low Temperature Heating Ratings - 17 °F db/15° F wb outdoor air temperature and 70 °F db entering indoor coil air.

To convert HSPF from Region IV to Region V - Divide by 1.15.

SYSTEM MATCHES

NOTES:

Per AHRI, the certified ratings for multi-zone mini-split systems are valid for all combinations of indoor units with the specific outdoor unit listed below and in the AHRI Directory of Certified Equipment. Please visit <http://www.ahridirectory.org> for further details.

Any system that is a combination of ALL NON-DUCTED indoor units (MS8-HI models) meets the rating requirement listed below.

AHRI Standard 210/240 Ratings								Indoor Unit Combinations			
Outdoor Model	Cooling Capacity	SEER	EER	Heat Capacity		HSPF Region IV	AHRI Ref. No.	Indoor Model	Cooling / Heating (Btuh)		
				High	Low				Zone 1	Zone 2	Zone 3
MS8-ZO-36P4	34,000	16.00	7.95	35,800	22,000	8.20	6484324	(2) MS8-HI-09P1	9,000/ 9,500	9,000/ 9,500	---
								(1) MS8-HI-09P1 (1) MS8-HI-12P1	9,000/ 9,500	12,000/ 13,000	---
								(1) MS8-HI-09P1 (1) MS8-HI-18P1	8,400/ 9,000	16,600/ 18,000	---
								(2) MS8-HI-12P1	12,000/ 13,000	12,000/ 13,000	---
								(1) MS8-HI-12P1 (1) MS8-HI-18P1	10,000/ 11,200	15,000/ 16,800	---
								(2) MS8-HI-18P1	12,800/ 14,300	12,800/ 14,300	---
								(3) MS8-HI-09P1	8,700/ 9,700	8,700/ 9,700	8,700/ 9,700
								(2) MS8-HI-09P1 (1) MS8-HI-12P1	8,000/ 9,000	8,000/ 9,000	10,000/ 11,000
								(2) MS8-HI-09P1 (1) MS8-HI-18P1	7,000/ 6,000	7,000/ 6,000	12,000/ 17,000
								(1) MS8-HI-09P1 (2) MS8-HI-12P1	6,000/ 6,000	10,000/ 11,500	10,000/ 11,500
								(1) MS8-HI-09P1 (1) MS8-HI-12P1 (1) MS8-HI-18P1	6,800/ 7,200	7,200/ 8,000	13,000/ 14,000
								(1) MS8-HI-09P1 (2) MS8-HI-18P1	6,000/ 7,200	11,800/ 14,100	11,800/ 14,100
								(3) MS8-HI-12P1	8,700/ 9,700	8,700/ 9,700	8,700/ 9,700
								(2) MS8-HI-12P1 (1) MS8-HI-18P1	6,500/ 7,200	6,500/ 7,000	15,000/ 16,000
								(1) MS8-HI-12P1 (2) MS8-HI-18P1	9,200/ 11,000	12,300/ 14,700	12,300/ 14,700
								(3) MS8-HI-18P1	9,900/ 11,900	9,900/ 11,900	9,900/ 11,900

NOTES:

Ratings are AHRI certified to AHRI Standard 210/240;

- Cooling Ratings - 95°F outdoor air temperature and 80 °F db/67° F wb entering indoor coil air.
- High Temperature Heating Ratings - 47° F db/43° F wb outdoor air temperature and 70 °F db entering indoor coil air.
- Low Temperature Heating Ratings - 17 °F db/15° F wb outdoor air temperature and 70 °F db entering indoor coil air.

To convert HSPF from Region IV to Region V - Divide by 1.15.

NOTE - Due to Lennox' ongoing commitment to quality, Specifications, Ratings and Dimensions subject to change without notice and without incurring liability. Improper installation, adjustment, alteration, service or maintenance can cause property damage or personal injury. Installation and service must be performed by a qualified installer and servicing agency.

SYSTEM MATCHES

NOTES:

Per AHRI, the certified ratings for multi-zone mini-split systems are valid for all combinations of indoor units with the specific outdoor unit listed below and in the AHRI Directory of Certified Equipment. Please visit <http://www.ahridirectory.org> for further details.

Any system that is a combination of ALL NON-DUCTED indoor units (MS8-HI models) meets the rating requirement listed below.

AHRI Standard 210/240 Ratings							Indoor Unit Combinations					
Outdoor Model	Cooling Capacity	SEER	EER	Heat Capacity		HSPF Region IV	AHRI Ref. No.	Indoor Model	Cooling / Heating (Btuh)			
				High	Low				Zone 1	Zone 2	Zone 3	Zone 4
MS8-ZO-36P4	34,000	16.00	7.95	35,800	22,000	8.20	6484324	(4) MS8-HI-09P1	8,400/ 10,000	8,400/ 10,000	8,400/ 10,000	8,400/ 10,000
								(3) MS8-HI-09P1 (1) MS8-HI-12P1	7,500/ 9,000	7,500/ 9,000	7,500/ 9,000	10,900/ 13,100
								(2) MS8-HI-09P1 (1) MS8-HI-12P1 (1) MS8-HI-18P1	6,300/ 7,600	6,300/ 7,600	8,900 10,600	12,300/ 14,700
								(3) MS8-HI-09P1 (1) MS8-HI-18P1	6,800/ 8,200	6,800/ 8,200	6,800/ 8,200	12,300/ 14,700
								(2) MS8-HI-09P1 (2) MS8-HI-12P1	6,800/ 8,200	6,800/ 8,200	9,900/ 11,900	9,900/ 11,900
								(1) MS8-HI-09P1 (3) MS8-HI-12P1	7,800/ 9,400	8,500/ 10,200	8,500/ 10,200	8,500/ 10,200
								(1) MS8-HI-09P1 (2) MS8-HI-12P1 (1) MS8-HI-18P1	6,100/ 7,400	7,500/ 9,000	7,500/ 9,000	12,300/ 14,700
								(2) MS8-HI-09P1 (2) MS8-HI-18P1	5,500/ 6,600	5,500/ 6,600	11,300/ 13,500	11,300/ 13,500
								(4) MS8-HI-12P1	8,400/ 10,000	8,400/ 10,000	8,400/ 10,000	8,400/ 10,000

NOTES:

Ratings are AHRI certified to AHRI Standard 210/240;

- Cooling Ratings - 95°F outdoor air temperature and 80 °F db/67° F wb entering indoor coil air.
- High Temperature Heating Ratings - 47° F db/43° F wb outdoor air temperature and 70 °F db entering indoor coil air.
- Low Temperature Heating Ratings - 17 °F db/15° F wb outdoor air temperature and 70 °F db entering indoor coil air.

To convert HSPF from Region IV to Region V - Divide by 1.15.

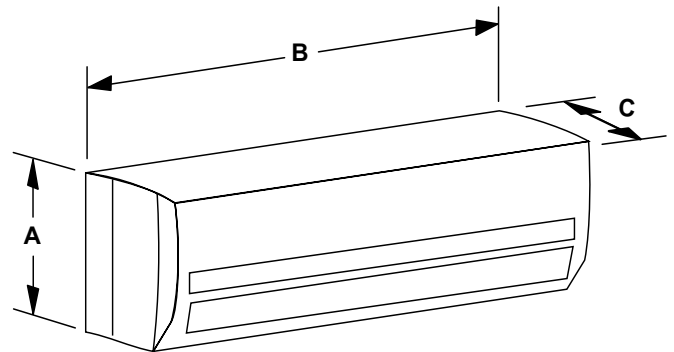
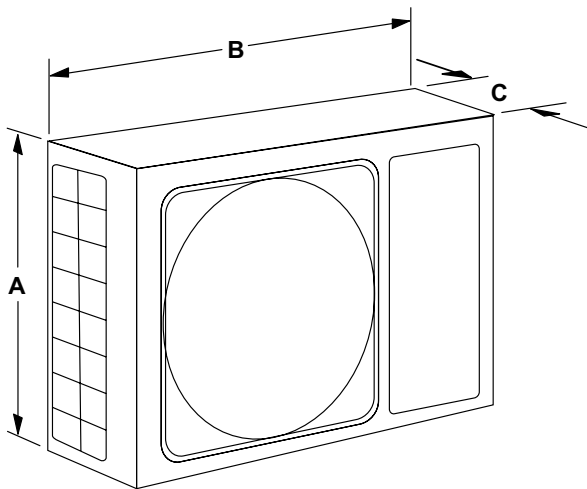
SOUND DATA - INDOOR

Indoor Unit Model No.	Sound Rating Number (dBA)							
	Low		Medium		High		Maximum	
	Pressure	Power	Pressure	Power	Pressure	Power	Pressure	Power
MS8-HI-09P1	32	42	35	45	38	48	42	52
MS8-HI-12P1	33	43	36	46	39	49	42	52
MS8-HI-18P1	35	45	40	50	44	54	49	59

SOUND DATA - OUTDOOR

Outdoor Unit Model No.	Sound Rating Number (dBA)	
	Pressure	Power
MS8-ZO-18P2	56	66
MS8-ZO-24P3	59	69
MS8-ZO-30P4	59	69
MS8-ZO-30P4	59	69

DIMENSIONS



Model No.	A		B		C	
	in.	mm	in.	mm	in.	mm
MS8-ZO-18P2	23-12	596	32	815	14-7/8	378
MS8-ZO-24P3	27-1/2	700	35-1/8	892	15-5/8	396
MS8-ZO-30P4						
MS8-ZO-36P4	31	789	36-1/4	920	16-5/8	427

Model No.	A		B		C	
	in.	mm	in.	mm	in.	mm
M5O-HI-09P1	10-7/8	275	33-3/8	848	7	180
M5O-HI-12P1	10-7/8	275	33-3/8	848	7	180
M5O-HI-18P1	11-3/4	298	39-3/4	1010	8	203

NOTE – Due to Lennox’ ongoing commitment to quality, Specifications, Ratings and Dimensions subject to change without notice and without incurring liability. Improper installation, adjustment, alteration, service or maintenance can cause property damage or personal injury. Installation and service must be performed by a qualified installer and servicing agency.



MINI-SPLIT SYSTEMS MS8C/MS8H LENNOX® 8 SERIES

PRODUCT CATALOG

Single-Zone Air Conditioner and Heat Pump System - R-410A
SEER - Up to 22.00
0.5 to 2.5 Tons

Page 13
January 2016
Supersedes June 2015

FEATURES

OUTDOOR UNITS

Compressor

Variable frequency rotary compressor

Compressor Crankcase Heater (heat pump models)

Controls

DC inverter control

Outdoor unit microprocessor

Electronic expansion valve

Compressor overcurrent protection

Condenser high temperature protection

Compressor pressure discharge temperature protection

Intelligent Power Module (IPM) Protection

Terminal strip

Defrost control (heat pump models)

Reversing valve (heat pump models)

Cabinet

Heavy gauge steel

Condensate drain outlets

Access cover for power and control wiring

INDOOR UNITS

Cabinet

High impact plastic cabinet

Unit display on front of cabinet

Wall mounting plate furnished

Air deflection louvers

Coil

Copper tubes/aluminum fins

Condensate drain

Blower

Dual cross-flow centrifugal blower

Turbo function

Cold Blow prevention (heat pumps)

Filter

Cleanable filter



MS8-CI Air Conditioner Indoor Unit
MS8-HI Heat Pump Indoor Unit



MS8-CO Air Conditioner Outdoor Unit
MS8-HO Heat Pump Outdoor Unit



Wireless Remote Control (furnished)

Controls

Indoor Unit Microprocessor

Terminal Strip

Indoor Coil Freeze Protection

Time Delay

Emergency Operation

Auto Button Operation

WIRELESS REMOTE CONTROL

Complete remote control of system.

LIMITED WARRANTY

Compressor - five years

All covered components - five years

Refer to Lennox Equipment Limited Warranty certificate included with equipment for details

DIMENSIONS

See page 18

ACCESSORIES

See page 16

Outdoor Unit

- Condenser Pad
- Disconnect
- Fuses
- Line Sets
- Male Flare Adaptor (required)
- Wall Brackets
- Whips

Indoor Unit

- Condensate Pump
- Drain Line
- Indoor/Outdoor Wiring Cable
- Remote Control Holder

Installation Kits And Tools

- Universal Mini-Split Installation Kit
- Speedichannel™ System

NOTE - Due to Lennox' ongoing commitment to quality, Specifications, Ratings and Dimensions subject to change without notice and without incurring liability. Improper installation, adjustment, alteration, service or maintenance can cause property damage or personal injury. Installation and service must be performed by a qualified installer and servicing agency.

SPECIFICATIONS - AIR CONDITIONER SYSTEMS

OUTDOOR UNIT

Nominal Tonnage		0.75	0.75	1	1	1.5	2
Outdoor Unit Model No.		MS8-CO-09L	MS8-CO-09P	MS8-CO-12L	MS8-CO-12P	MS8-CO-18P	MS8-CO-24P
Connections (in.)	Small line o.d. - flare	1/4	1/4	1/4	1/4	1/4	1/4
	Large line o.d. - flare	3/8	3/8	3/8	3/8	1/2	5/8
Ambient Temperature Operating Range - °F		41 - 115	0 - 109	41 - 115	0 - 109	5 - 109	5 - 109
¹ Refrigerant (R-410A) furnished		2 lbs. 6 oz.	2 lbs. 14 oz.	2 lbs. 14 oz.	2 lbs. 14 oz.	3 lbs. 1 oz.	3 lbs. 9 oz.
Outdoor	Net face area - sq. ft.	3.95	4.08	4.08	4.49	5.96	7.66
Coil	Tube diameter - in.	1/4	1/4	3/8	3/8	1/4	1/4
	Number of rows	2	2	2	2	2	2
	Fins per inch	18	20	18	20	20	20
Outdoor	Diameter - in.	15-5/8	15-3/4	15-5/8	15-3/4	20-1/2	21-3/4
Fan Motor	No. of blades	3	3	3	3	3	3
	Cfm	1120	940	1120	940	1885	2355
	Rpm	650/900	680/900	680/900	680/900	800	800
Shipping Data - lbs.	Outdoor Unit	91	91	97	97	110	132

ELECTRICAL DATA

Line voltage data - 60 hz - 1ph		115V	208/230V	115V	208/230V	208/230V	208/230V
² Maximum overcurrent protection (amps)		35	15	40	15	20	25
³ Minimum circuit ampacity		22	10	23	10	13	16
Compressor	Rated load amps	16	7.2	17.5	6.5	9.7	11
⁴ Compressor Power Input (W)		1050	1075	1450	860	1200	1420
Outdoor	Rated load amps	0.17	0.13	0.17	0.13	0.28	1.1
Fan Motor	Output (W)	40	40	40	30	60	90

MATCHING INDOOR UNIT

Indoor Unit Model No.		MS8-CI-09L	MS8-CI-09P	MS8-CI-12L	MS8-CI-12P	MS8-CI-18P	MS8-CI-24P
Connections (in.)	Small line o.d. - flare	1/4	1/4	1/4	1/4	1/4	1/4
	Large line o.d. - flare	3/8	3/8	3/8	3/8	1/2	5/8
Indoor Blower	Turbo	330	305	300	335	500	590
Air Volume (cfm)	High	295	275	275	275	460	470
	Medium	255	255	255	255	385	410
	Low	220	220	215	220	325	355
	Turbo	1260	1260	1260	1330	1500	1500
Indoor Blower RPM	High	1050	1100	1070	1100	1200	1200
	Medium	920	950	900	950	1050	1050
	Low	730	750	730	750	900	900
	Turbo	1260	1260	1260	1330	1500	1500
Indoor	Net face area - sq. ft.	1.85	1.65	1.85	1.65	2.33	3.23
Coil	Tube diameter - in.	1/4	1/4	1/4	1/4	1/4	1/4
	Number of rows	2	2	2	2	2	2
	Fins per inch	18	20	18	20	20	18
	Diameter x Length - in.	3.6 x 25.4	3.6 x 25.4	3.6 x 25.4	3.6 x 25.4	3.9 x 28	3.9 x 30
Indoor Blower	Type	Cross-flow	Cross-flow	Cross-flow	Cross-flow	Cross-flow	Cross-flow
Shipping Data - lbs.	Indoor Unit	31	31	31	29	38	47

ELECTRICAL DATA

Line voltage data - 60 hz - 1ph		115V	208/230V	115V	208/230V	208/230V	208/230V
Rated Load Amps		0.38	0.20	0.38	0.20	0.32	0.24
Output (W)		20	20	20	20	20	60

NOTE - Extremes of operating range are plus 10% and minus 5% of line voltage.

¹ Refrigerant charge sufficient for 15 ft. of lineset.

² HACR type circuit breaker or fuse.

³ Refer to National or Canadian Electrical Code manual to determine wire, fuse and disconnect size requirements.

⁴ Rated Input



Intertek

NOTE - Due to Lennox' ongoing commitment to quality, Specifications, Ratings and Dimensions subject to change without notice and without incurring liability.

Improper installation, adjustment, alteration, service or maintenance can cause property damage or personal injury.

Installation and service must be performed by a qualified installer and servicing agency.

SPECIFICATIONS - HEAT PUMP SYSTEMS

		OUTDOOR UNIT						
Nominal Tonnage		0.75	0.75	1	1	1.5	2	2.5
Outdoor Unit Model No.		MS8-HO-09L	MS8-HO-09P	MS8-HO-12L	MS8-HO-12P	MS8-HO-18P	MS8-HO-24P	MS8-HO-30P
Connections (in.)	Small line o.d. - flare	1/4	1/4	1/4	1/4	1/4	1/4	1/4
	Large line o.d. - flare	3/8	3/8	3/8	3/8	1/2	5/8	5/8
Ambient Temperature	Cooling	41 - 115	0 - 109	41 - 115	0 - 109	14 - 109	14 - 109	5 - 109
	Heating	5 - 86	-5 - 75	5 - 86	-5 - 75	19 - 75	19 - 75	17 - 75
¹ Refrigerant (R-410A) furnished		2 lbs. 6 oz.	2 lbs. 14 oz.	2 lbs. 14 oz.	2 lbs. 14 oz.	3 lbs. 1 oz.	3 lbs. 9 oz.	5 lbs. 5 oz.
Outdoor	Net face area - sq. ft.	3.95	4.08	4.08	4.49	5.96	7.66	7.66
Coil	Tube diameter - in.	1/4	1/4	3/8	3/8	1/4	1/4	5/16
	Number of rows	2	2	2	2	2	2	2
	Fins per inch	18	20	18	20	20	20	18
Outdoor Fan Motor	Diameter - in.	15-5/8	15-3/4	15-5/8	15-3/4	20-1/2	21-3/4	21-3/4
	No. of blades	3	3	3	3	3	3	3
	Cfm	1120	940	1120	940	1885	2355	2355
	Rpm	650/900	680/900	680/900	680/900	800	800	830
Shipping Data - lbs.	Outdoor Unit	110	110	119	119	110	135	164
ELECTRICAL DATA								
Line voltage data - 60 hz - 1ph		115V	208/230V	115V	208/230V	208/230V	208/230V	208/230V
² Max. overcurrent protection (amps)		35	15	40	15	20	25	30
³ Minimum circuit ampacity		22	10	23	10	13	16	20
Compressor	Rated load amps	16	7.2	17.5	6.5	9.7	11	13.5
⁴ Compressor Power Input (W)		600	860	1200	860	1200	1420	2450
Outdoor Fan Motor	Rated load amps	0.17	0.13	0.17	0.13	0.28	1.1	0.45
	Output (W)	40	30	40	30	60	90	90
MATCHING INDOOR UNIT								
Indoor Unit Model No.		MS8-HI-09L	MS8-HI-09P	MS8-HI-12L	MS8-HI-12P	MS8-HI-18P	MS8-HI-24P	MS8-HI-30P
Connections (in.)	Small line o.d. - flare	1/4	1/4	1/4	1/4	1/4	1/4	1/4
	Large line o.d. - flare	3/8	3/8	3/8	3/8	1/2	5/8	5/8
Indoor Blower Air Volume (cfm)	Turbo	330	306	300	335	500	590	---
	High	295	277	275	277	459	470	705
	Medium	255	253	255	253	383	410	675
	Low	220	218	215	218	324	355	645
Indoor Blower RPM (Cooling/Heating)	Turbo	1260/1320	1260/1320	1260/1280	1330/1350	1500/1500	1500/1450	---
	High	1050/1200	1100/1200	1070/1050	1100/1170	1200/1250	1200/1150	1410/1410
	Medium	920/1100	950/1100	900/980	950/1050	1050/1150	1050/1020	1280/1280
	Low	730/950	750/950	730/920	750/950	900/1050	900/950	1200/1200
Indoor Coil	Net face area - sq. ft.	1.85	1.65	1.85	1.65	2.33	3.23	14.8
	Tube diameter - in.	1/4	1/4	1/4	1/4	1/4	1/4	1/4
	Number of rows	2	2	2	2	2	2	2
	Fins per inch	18	20	18	20	20	18	18
Indoor Blower	Diameter x Length - in.	3.6 x 25.4	3.6 x 25.4	3.6 x 25.4	3.6 x 25.4	3.9 x 28	3.9 x 30	4.25 x 20.5
	Type	Cross-flow	Cross-flow	Cross-flow	Cross-flow	Cross-flow	Cross-flow	Cross-flow
Shipping Data - lbs.	Indoor Unit	37	37	37	37	38	47	60
ELECTRICAL DATA								
Line voltage data - 60 hz - 1ph		115V	208/230V	115V	208/230V	208/230V	208/230V	208/230V
Rated Load Amps		0.38	0.20	0.38	0.20	0.32	0.24	0.40
Output (W)		20	20	20	20	20	60	40

NOTE - Extremes of operating range are plus 10% and minus 5% of line voltage.

¹ Refrigerant charge sufficient for 15 ft. of lineset.² HACR type circuit breaker or fuse.³ Refer to National or Canadian Electrical Code manual to determine wire, fuse and disconnect size requirements.⁴ Rated Input

OPTIONAL ACCESSORIES - ORDER SEPARATELY

Description	Catalog No.	Size				
		09	12	18	24	30
OUTDOOR UNIT						
Condenser Pad (18 x 36 x 2)	48X92	•	•	•	•	•
Disconnects	30 amp, fused, 1 ph	27P37	•	•	•	•
	60 amp, non-fused, 1 ph	27P39	•	•	•	•
Fuses	30A	83P75	•	•	•	•
	60A	83P77	•	•	•	•
Line Sets	1/4 in. x 3/8 in. x 50 ft.	X0258	•	•		
	1/4 in. x 1/2 in. x 25 ft.	90X52			•	
	1/4 in. x 1/2 in. x 50 ft.	X0259			•	
	1/4 in. x 5/8 in. x 25 ft.	90X51				•
	1/4 in. x 5/8 in. x 50 ft.	X0260				•
Male Flare Adaptor	5/16 in. quick connect x 1/4 in. MF	Y0576	•	•	•	•
Wall Brackets	30 inch	Y5020	•	•		
	36 inch	Y5021			•	•
Whips	10 Gauge - 1/2 in. x 6 ft.	29P54	•	•	•	•
	8 Gauge - 3/4 in. x 6 ft.	27P44	•	•	•	•
INDOOR UNIT						
Condensate Pump - ClearVue Mini™ - 7.9 US gallons per hour, 35 ft. lift - 120/240V	Y5170	•	•	•	•	•
Condensate Mini-Split Drain Line - 5/8 in. I.D. 160 ft.	Y3401	•	•	•	•	•
Indoor/Outdoor Wiring Cable - 14 Gauge, 4 conductor wire, THHN, 250 ft.	Y2067	•	•	•	•	•
Wireless Remote Control Holder	Y5073	•	•	•	•	•
INSTALLATION KIT						
Universal Mini-Split Installation Kit	Y3247	•	•	•	•	•
SPEEDICHANNEL™ SYSTEM						
SpeediChannel™ Starter Kit - 4 in.	Y3387	•	•	•	•	•
SpeediChannel - 4 in. x 6-1/2 ft.	Y3388	•	•	•	•	•
Union Coupling - 4 in.	Y3389	•	•	•	•	•
90° Flat Bend Elbow - 4 in.	Y3390	•	•	•	•	•
90° Inside Elbow - 4 in.	Y3391	•	•	•	•	•
45° Flat Bend Elbow - 4 in.	Y3392	•	•	•	•	•
Flex Joint - 4 in.	Y3393	•	•	•	•	•
T-Joint - 4 in.	Y3394	•	•	•	•	•
Duct End - 4 in.	Y3395	•	•	•	•	•
Flat Wall Escutcheon - 4 in.	Y3396	•	•	•	•	•
Wall Penetration Cover - 4 in.	Y3399	•	•	•	•	•
Mount Block (White) Qty, 2 - 14 in.	Y3397	•	•	•	•	•
Mount Block (White) Qty, 2 - 36 in.	Y3398	•	•	•	•	•

NOTE – Due to Lennox' ongoing commitment to quality, Specifications, Ratings and Dimensions subject to change without notice and without incurring liability. Improper installation, adjustment, alteration, service or maintenance can cause property damage or personal injury. Installation and service must be performed by a qualified installer and servicing agency.

SYSTEM MATCHES - AIR CONDITIONERS

NOTE - For the latest up-to-date system matches please visit the AHRI web site at <http://www.ahridirectory.org>

Outdoor Model	Capacity	SEER	EER	Indoor Model	AHRI Reference
MS8-CO-09L	9,000	22.00	14.20	MS8-CI-09L	5625426
MS8-CO-09P	9,000	22.00	14.20	MS8-CI-09P	5625428
MS8-CO-12L	12,000	20.00	12.50	MS8-CI-12L	5625427
MS8-CO-12P	12,000	20.00	12.20	MS8-CI-12P	5625429
MS8-CO-18P	18,000	18.00	12.20	MS8-CI-18P	5625430
MS8-CO-24P	21,400	18.00	12.20	MS8-CI-24P	5625431

NOTES:

Ratings are AHRI certified to AHRI Standard 210/240; 95°F outdoor air temperature, 80°F db / 67°F wb entering evaporator air.

SYSTEM MATCHES - HEAT PUMPS

NOTE - For the latest up-to-date system matches please visit the AHRI web site at <http://www.ahridirectory.org>

Outdoor Model	Capacity	SEER	EER	Heat Capacity		HSPF Region IV	Indoor Model	AHRI Reference
				High	Low			
MS8-HO-09L	9,000	22.00	14.20	9,500	5,400	9.80	MS8-HI-09L	5625419
MS8-HO-09P	9,000	22.00	14.20	9,800	5,500	9.20	MS8-HI-09P	5625421
MS8-HO-12L	12,000	20.00	12.00	13,000	7,500	9.60	MS8-HI-12L	5625420
MS8-HO-12P	12,000	20.00	12.00	13,000	7,600	9.20	MS8-HI-12P	5625422
MS8-HO-18P	18,000	18.00	12.00	19,800	12,700	10.00	MS8-HI-18P	5625423
MS8-HO-24P	21,400	18.00	12.00	23,000	15,000	10.00	MS8-HI-24P	5625424
MS8-HO-30P	28,000	16.00	9.30	28,400	18,400	8.20	MS8-HI-30P	5625425

NOTES:

Ratings are AHRI certified to AHRI Standard 210/240;

- Cooling Ratings - 95°F outdoor air temperature and 80 °F db/67° F wb entering indoor coil air.
- High Temperature Heating Ratings - 47° F db/43° F wb outdoor air temperature and 70 °F db entering indoor coil air.
- Low Temperature Heating Ratings - 17 °F db/15° F wb outdoor air temperature and 70 °F db entering indoor coil air.

To convert HSPF from Region IV to Region V - Divide by 1.15.

SOUND DATA - OUTDOOR

Unit Type	Outdoor Unit Model No.	Sound Rating Number (dBA)	
		Pressure	Power
		Air Conditioner	MS8-CI-09L
MS8-CO-09P	50		60
MS8-CO-12L	55		65
MS8-CO-12P	52		62
MS8-CO-18P	55		65
MS8-CO-24P	56		66
MS8-HO-09L	53		63
Heat Pump	MS8-HO-09P	50	60
	MS8-HO-12L	55	65
	MS8-HO-12P	52	62
	MS8-HO-18P	55	65
	MS8-HO-24P	56	66
	MS8-HO-30P	62	72

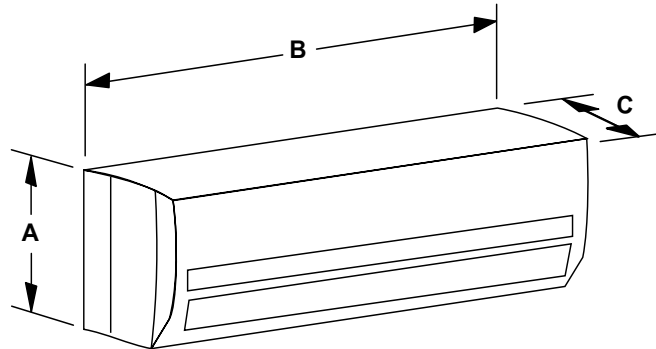
SOUND DATA - INDOOR

Unit Type	Indoor Unit Model No.	Sound Rating Number (dBA)					
		Low		Medium		High	
		Pressure	Power	Pressure	Power	Pressure	Power
Air Conditioner	MS8-CI-09L	26	36	30	40	34	44
	MS8-CI-09P	32	42	35	45	38	48
	MS8-CI-12L	26	36	32	42	36	46
	MS8-CI-12P	33	43	36	46	39	49
	MS8-CI-18P	35	45	40	50	44	54
	MS8-CI-24P	37	47	41	51	45	55
	MS8-HI-09L	26	36	30	40	34	44
Heat Pump	MS8-HI-09P	32	42	35	45	38	48
	MS8-HI-12L	26	36	32	42	36	46
	MS8-HI-12P	33	43	36	46	39	49
	MS8-HI-18P	35	45	40	50	44	54
	MS8-HI-24P	37	47	41	51	45	55
	MS8-HI-30P	48	58	54	64	57	67

NOTE - Due to Lennox' ongoing commitment to quality, Specifications, Ratings and Dimensions subject to change without notice and without incurring liability. Improper installation, adjustment, alteration, service or maintenance can cause property damage or personal injury. Installation and service must be performed by a qualified installer and servicing agency.

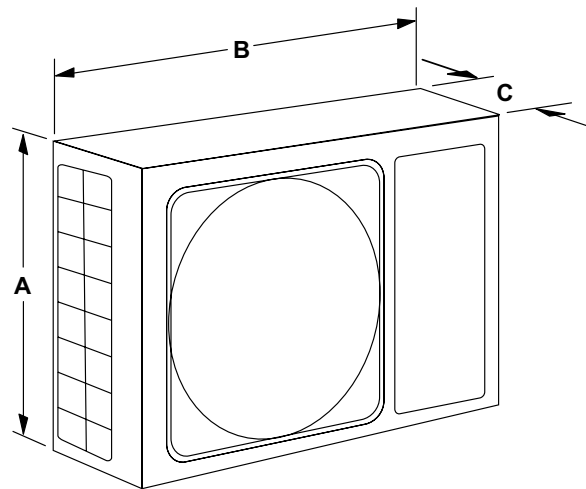
DIMENSIONS

**MS8-CI Air Conditioner Indoor Unit
MS8-HI Heat Pump Indoor Unit**



Model No.	A		B		C	
	in.	mm	in.	mm	in.	mm
-09	10-7/8	275	33-3/8	848	7	180
-12	10-7/8	275	33-3/8	848	7	180
-18	11-3/4	298	37	940	8	203
-30	12-3/8	315	39-3/4	1008	8-5/8	219
-30	12-7/8	326	53-1/8	1349	10	253

**MS8-CO Air Conditioner Outdoor Unit
MS8-HO Heat Pump Outdoor Unit**



Model No.	A		B		C	
	in.	mm	in.	mm	in.	mm
-09, -12L	21-1/4	540	30	762	12-5/8	320
-12P	23-1/4	591	30	762	12-5/8	320
-18	27-5/8	702	35	890	15-5/8	397
-24, -30	31-1/8	790	36	914	16-7/8	427

NOTE – Due to Lennox' ongoing commitment to quality, Specifications, Ratings and Dimensions subject to change without notice and without incurring liability. Improper installation, adjustment, alteration, service or maintenance can cause property damage or personal injury. Installation and service must be performed by a qualified installer and servicing agency.



PACKAGED GAS/ELECTRIC LRP14GE

PRODUCT CATALOG

R-410A - AFUE - 81% / SEER - 14.0
2 to 5 Tons - Net Cooling Capacity - 22,600 to 57,000 Btuh
Heating Input Capacity - 54,000 to 126,000 Btuh

Page 1
January 2016
Supersedes June 2015

FEATURES

Refrigerant System

Non-chlorine, ozone friendly, R-410A refrigerant.

Scroll compressor

Copper tube with enhanced fin coils

Thermal Expansion Valve

High Pressure Switch

Totally enclosed outdoor coil fan motor

Heavy-Duty Fan

Heating System

Aluminized Steel Heat Exchanger

Aluminized Steel Inshot Burners

Combustion Air Inducer

Heating Control

Limit Controls

Supply Air Blower

Multi-speed, direct drive blower motor.

Controls

Ignition control with diagnostic LED's.

40VA transformer furnished.

Cabinet

Conditioned areas insulated to reduce sound levels and minimize heat loss.

Steel louvered panels provides complete coil protection.

Interchangeable panels for horizontal to downflow airflow conversion furnished (shipped for horizontal).

Powder paint for maximum durability



ACCESSORIES

See page 3

- Compressor Crankcase Heater
- Compressor Hard Start Kits
- Compressor Timed-off Control
- Downflow Conversion
- Drain Pan Overflow Switch
- Lifting Brackets
- Internal Filter Kits
- LPG/Propane Conversion Kit
- Roof Curbs
- Thermostat

LIMITED WARRANTY

Heat Exchanger - twenty years

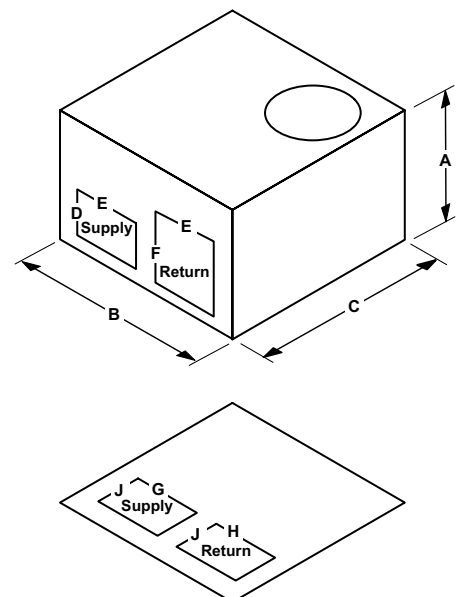
Compressor - ten years

All other covered components - five years

Refer to Lennox Equipment Limited Warranty certificate included with equipment for details

DIMENSIONS

Model No.	24 30 36	42 48 60
A	36-7/8 (937)	40-7/8 (1038)
B	46-3/4 (1187)	55-1/4 (1403)
C	46-3/4 (1187)	46-3/4 (1187)
D	14-1/4 (362)	14-1/4 (362)
E	13-3/8 (340)	18-1/8 (467)
F	17 (432)	17 (432)
G	14 (356)	19-1/2 (495)
H	16-3/4 (425)	19-3/4 (502)
J	11-1/2 (292)	11-1/2 (292)



NOTE - Due to Lennox' ongoing commitment to quality, Specifications, Ratings and Dimensions subject to change without notice and without incurring liability. Improper installation, adjustment, alteration, service or maintenance can cause property damage or personal injury. Installation and service must be performed by a qualified installer and servicing agency.

SPECIFICATIONS

General Data		Model No.	LRP14GE24	LRP14GE30	LRP14GE36	LRP14GE42	LRP14GE48	LRP14GE60
Nominal Tonnage			2	2.5	3	3.5	4	5
Gas Heat Available - See Next Page			-054(X), -072	-054(X), -072	054, -072(X), -090	-072(X), -090	-108(X), -126	-108(X), -126
Cooling Performance	Total cooling capacity - Btuh		22,600	28,400	34,000	40,000	46,000	57,000
	Total Unit Watts		2055	2580	3090	3635	4180	5180
	¹ SEER (Btuh/Watt)		14.00	14.00	14.00	14.00	14.00	14.00
	EER (Btuh/Watt)		11.00	11.00	11.00	11.00	11.00	11.00
	² Sound Rating Number (dB)		78	78	78	78	78	78
Refrigerant	Type		R-410A	R-410A	R-410A	R-410A	R-410A	R-410A
	Charge		4 lbs. 6 oz.	4 lbs. 13 oz.	4 lbs. 15 oz.	6 lbs. 12 oz.	6 lbs. 10 oz.	7 lbs. 13 oz.
Condensate drain size (fpt) - in.			3/4	3/4	3/4	3/4	3/4	3/4
Outdoor Coil Fan	Motor horsepower		1/6	1/6	1/6	1/4	1/4	1/4
	Diameter - in. and No. of blades		22 - 4	22 - 4	22 - 4	24 - 3	24 - 3	24 - 3
Indoor Blower	Blower wheel size dia. x width - in.		10 x 6	10 x 6	10 x 8	10 x 10	10 x 10	12 x 9
	Motor horsepower		1/4	1/4	1/3	1/3	1/2	1
Net weight of basic unit - lbs.			358	370	389	460	476	513
Shipping weight of basic unit (1 Pkg.) - lbs.			421	433	452	533	549	586
Electrical characteristics (60 hz)			208/230V-1ph-60hz					

ELECTRICAL DATA

Line voltage data - 60hz 1 phase	208/230V	208/230V	208/230V	208/230V	208/230V	208/230V
³ Maximum overcurrent protection (amps)	25	30	30	40	40	60
⁴ Minimum Circuit Ampacity	16.7	18.7	20.6	24.4	26.9	38.9
Compressor Rated load amps	11.2	12.8	14.1	15.9	17.9	23.7
Outdoor Coil Fan Motor Full load amps	1.0	1.0	1.0	1.7	1.7	1.7
Indoor Blower Motor Full load amps	1.7	1.7	2.0	2.8	2.8	7.6

NOTE-Extremes of operating range are plus and minus 10% of line voltage.

¹ AHRI Certified to AHRI Standard 210/240; 95°F outdoor air temperature, 80°F db/67°F wb entering evaporator air.

² Sound Rating Number rated in accordance with test conditions included in AHRI Standard 270.

³ HACR type circuit breaker or fuse.

⁴ Refer to National or Canadian Electrical Code manual to determine wire, fuse and disconnect size requirements.

SPECIFICATIONS - GAS HEAT

Model		24, 30, 36	24, 30	36, 42	36, 42	48, 60	48, 60
Heating Input		-054	-072	-072	-090	-108	-126
Heating Capacity Btuh	Input	54,000	72,000	72,000	90,000	108,000	126,000
	Output	43,800	58,400	58,400	72,900	87,500	102,100
¹ AFUE		81%	81%	81%	81%	81%	81%
Temperature Rise - °F		30-60	40-70	35-65	40-70	40-70	45-75
Gas Supply Connection (FPT) - in.		1/2	1/2	1/2	1/2	1/2	1/2
Min. Recommended Gas Supply Pressure		5 in. w.g. Natural Gas, 11 in. w.g. LPG/Propane					

OPTIONAL ACCESSORIES - ORDER SEPARATELY

LPG/Propane Conversion Kit	11U77	11U77	11U77	11U77	11U77	11U77
----------------------------	-------	-------	-------	-------	-------	-------

¹ Annual Fuel Utilization Efficiency based on U.S. DOE test procedures and FTC labeling regulations.



Intertek

NOTE - Due to Lennox' ongoing commitment to quality, Specifications, Ratings and Dimensions subject to change without notice and without incurring liability. Improper installation, adjustment, alteration, service or maintenance can cause property damage or personal injury. Installation and service must be performed by a qualified installer and servicing agency.



OPTIONAL ACCESSORIES - ORDER SEPARATELY

	Model No.	LRP14GE					
		24	30	36	42	48	60
Compressor Crankcase Heater	11X27	•	•	•	•	•	•
Compressor Hard Start Kit	10J42	•	•	•			•
	88M91				•	•	
Compressor Timed-Off Control	47J27	•	•	•	•	•	•
Downflow Conversion Kit (includes drain pan overflow switch)	11U80	•	•	•			
	11U81				•	•	•
Drain Pan Overflow Switch	11U75	•	•	•	•	•	•
¹ Internal Filter (1) 20 x 20 + (1) 14 x 20 Kit (Required) (2) 20 x 20	11U73	•	•	•			
	11U74				•	•	•
Lifting Brackets	11U76	•	•	•	•	•	•
Roof Curbs 14 in. Height	11U78	•	•	•			
	11U79				•	•	•

CONTROLS - ORDER SEPARATELY

iComfort® S30 Thermostat	12U67	•	•	•	•	•	•
ComfortSense® 7500 Thermostat	13H14	•	•	•	•	•	•
² Outdoor Air Temperature Sensor	X2658	•	•	•	•	•	•
³ Discharge Air Temperature Sensor	88K38	•	•	•	•	•	•

¹ Filters are not furnished and must be field provided. NOTE - Order two filters for 42, 48 and 60 size units.

² Remote Outdoor Temperature Sensor is used with residential packaged units. Allows the thermostat to display outdoor temperature.

³ Used with the iComfort® S30 Thermostat for optional service diagnostics.



PACKAGED ELECTRIC / ELECTRIC LRP14AC

PRODUCT CATALOG

R-410A
SEER - 14.0 - 2 to 5 Tons
Net Cooling Capacity - 22,600 to 57,000 Btuh

Page 1
 January 2016
 Supersedes June 2015

FEATURES

Refrigerant System

Non-chlorine, ozone friendly, R-410A refrigerant.

Scroll compressor

Copper tube with enhanced fin coils

Thermal Expansion Valve

Totally enclosed outdoor coil fan motor

Heavy-Duty Fan

Supply Air Blower

Multi-speed, direct drive blower motor

Controls

40VA transformer

Cabinet

Conditioned areas insulated to reduce sound levels and minimize heat loss.

Steel louvered panels provides complete coil protection.

Interchangeable panels for horizontal to downflow airflow conversion furnished (shipped for horizontal).

Powder paint for maximum durability



ACCESSORIES

See page 3

- Compressor Crankcase Heater
- Compressor Hard Start Kit
- Compressor Timed-Off Control
- Electric Heat - 5 to 20 kW
- Lifting Brackets
- Internal Filter Kits
- Roof Curbs
- Single Point Power Kits
- Thermostat

LIMITED WARRANTY

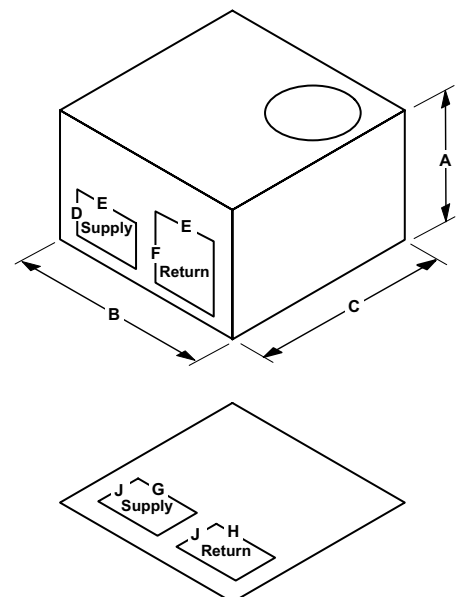
Compressor - ten years

All other covered components - five years

Refer to Lennox Equipment Limited Warranty certificate included with equipment for details

DIMENSIONS

Model No.	24	42
	30	48
	36	60
A	36-7/8 (937)	40-7/8 (1038)
B	46-3/4 (1187)	55-1/4 (1403)
C	46-3/4 (1187)	46-3/4 (1187)
D	14-1/4 (362)	14-1/4 (362)
E	13-3/8 (340)	18-1/8 (467)
F	17 (432)	17 (432)
G	14 (356)	19-1/2 (495)
H	16-3/4 (425)	19-3/4 (502)
J	11-1/2 (292)	11-1/2 (292)



NOTE - Due to Lennox' ongoing commitment to quality, Specifications, Ratings and Dimensions subject to change without notice and without incurring liability. Improper installation, adjustment, alteration, service or maintenance can cause property damage or personal injury. Installation and service must be performed by a qualified installer and servicing agency.

SPECIFICATIONS

General Data		Model No.	LRP14AC24	LRP14AC30	LRP14AC36	LRP14AC42	LRP14AC48	LRP14AC60	
Nominal Tonnage			2	2.5	3	3.5	4	5	
Cooling Performance	Total cooling capacity - Btuh		22,600	28,400	34,000	40,000	46,000	57,000	
	Total unit watts		2055	2580	3090	3635	4180	5180	
	¹ SEER (Btuh/Watt)		14.00	14.00	14.00	14.00	14.00	14.00	
	EER (Btuh/Watt)		11.00	11.00	11.00	11.00	11.00	11.00	
² Sound Rating Number (dB)			78	78	78	78	78	78	
Refrigerant	Type		R-410A	R-410A	R-410A	R-410A	R-410A	R-410A	
	Charge		4 lbs. 6 oz.	4 lbs. 13 oz.	4 lbs. 15 oz.	6 lbs. 12 oz.	6 lbs. 10 oz.	7 lbs. 13 oz.	
Condensate drain size (fpt) - in.			3/4	3/4	3/4	3/4	3/4	3/4	
Outdoor Coil Fan	Motor horsepower		1/6	1/6	1/6	1/4	1/4	1/4	
	Diameter - in. & No. of blades		22 - 4	22 - 4	22 - 4	24 - 3	24 - 3	24 - 3	
Indoor Blower	Blower wheel size dia. x width - in.		10 x 6	10 x 6	10 x 8	10 x 10	10 x 10	12 x 9	
	Motor horsepower		1/4	1/4	1/3	1/3	1/2	1	
Net weight of basic unit - lbs.			331	343	351	424	428	467	
Shipping weight of basic unit (1 Pkg.) - lbs.			394	406	414	497	501	540	
Electrical characteristics (60 hz)			208/230V-1ph-60hz						

¹ AHRI Certified to AHRI Standard 210/240; 95°F outdoor air temperature, 80°F db/67°F wb entering evaporator air.

² Sound Rating Number rated in accordance with test conditions included in AHRI Standard 270.

³ Filters are not furnished and must be field provided. NOTE - Order two filters for 42, 48 and 60 size units



Intertek

NOTE – Due to Lennox' ongoing commitment to quality, Specifications, Ratings and Dimensions subject to change without notice and without incurring liability. Improper installation, adjustment, alteration, service or maintenance can cause property damage or personal injury. Installation and service must be performed by a qualified installer and servicing agency.



OPTIONAL ACCESSORIES - ORDER SEPARATELY

		Model No.	LRP14AC					
			24	30	36	42	48	60
Compressor Crankcase Heater		11X27	•	•	•	•	•	•
Compressor Hard Start Kit		10J42	•	•	•			•
		88M91				•	•	
Compressor Timed-Off Control		47J27	•	•	•	•	•	•
Downflow Conversion Kit (includes drain pan overflow switch)		11U80	•	•	•			
		11U81				•	•	•
Drain Pan Overflow Switch		11U75	•	•	•	•	•	•
Electric Heat Size - 208/240V-1ph	5 kW - PHK05BP	10W47	•	•	•	•	•	•
	7.5 kW - PHK07BP	10W48	•	•	•	•	•	•
	10 kW - PHK10BP	10W49	•	•	•	•	•	•
	15 kW - PHK15BP	10W50			•	•	•	•
	20 kW - PHK20BP	10W51				•	•	•
³ Internal Filter Kit (Filter Not Furnished)	(1) 20 x 20 + (1) 14 x 20	11U73	•	•	•			
	(2) 20 x 20	11U74				•	•	•
Lifting Brackets		11U76	•	•	•	•	•	•
Roof Curbs	14 in. Height	11U78	•	•	•			
		11U79				•	•	•
Single Point Power Kits	For 5 kW Electric Heat ASPWR813-1	13W88	•	•	•	•	•	•
	For 7.5 kW Electric Heat ASPWR814-1	13W89	•	•	•	•	•	•
	For 10 kW Electric Heat ASPWR815-1	13W90	•	•	•	•	•	•
	For 15-20 kW Electric Heat ASPWR816-1	13W91			•	•	•	•

CONTROLS - ORDER SEPARATELY

iComfort® S30 Thermostat	12U67	•	•	•	•	•	•
ComfortSense® 7500 Thermostat	13H14	•	•	•	•	•	•
² Outdoor Air Temperature Sensor	X2658	•	•	•	•	•	•
³ Discharge Air Temperature Sensor	88K38	•	•	•	•	•	•

³ Filters are not furnished and must be field provided. NOTE - Order two filters for 42, 48 and 60 size units.

² Remote Outdoor Temperature Sensor is used with residential packaged units. Allows the thermostat to display outdoor temperature.

³ Used with the iComfort® S30 Thermostat for optional service diagnostics.



PACKAGED HEAT PUMPS LRP14HP

PRODUCT CATALOG

R-410A - SEER - 14.0 - 2 to 5 Tons
 Net Cooling Capacity - 22,600 to 57,000 Btuh
 Heating Capacity - 22,000 to 56,000 Btuh

Page 1
 January 2016
 Supersedes June 2015

FEATURES

Refrigerant System

Non-chlorine, ozone friendly, R-410A refrigerant.

Scroll compressor

Copper tube with enhanced fin coils

Check / Expansion Valve

Reversing Valve

Totally enclosed outdoor coil fan motor

Heavy-Duty Fan

Supply Air Blower

Multi-speed, direct drive blower motor

Controls

High Pressure Switch

Low Pressure Switch

Defrost Control with integrated anti-short cycle

40VA transformer furnished.

Cabinet

Conditioned areas insulated to reduce sound levels and minimize heat loss.

Steel louvered panels provides complete coil protection.

Interchangeable panels for horizontal to downflow airflow conversion furnished (shipped for horizontal).

Powder paint for maximum durability



ACCESSORIES

See page 3

- Compressor Crankcase Heater
- Compressor Hard Start Kit
- Compressor Timed-Off Control
- Electric Heat - 5 to 20 kW
- Internal Filter Kits
- Lifting Brackets
- Roof Curbs
- Single Point Power Kits
- Thermostat

LIMITED WARRANTY

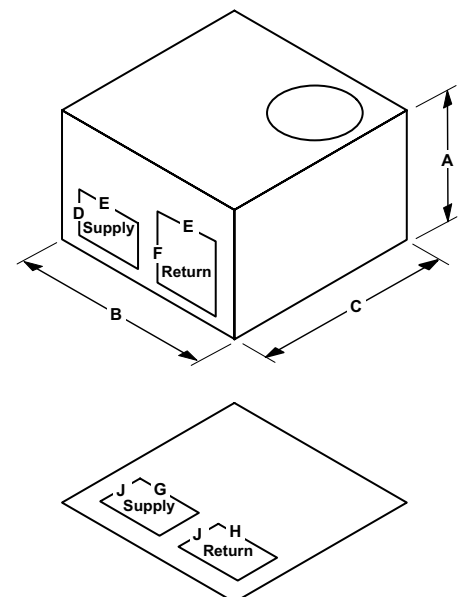
Compressor - ten years

All other covered components - five years

Refer to Lennox Equipment Limited Warranty certificate included with equipment for details

DIMENSIONS

Model No.	24 30 36	42 48 60
A	36-7/8 (937)	40-7/8 (1038)
B	46-3/4 (1187)	55-1/4 (1403)
C	46-3/4 (1187)	46-3/4 (1187)
D	14-1/4 (362)	14-1/4 (362)
E	13-3/8 (340)	18-1/8 (467)
F	17 (432)	17 (432)
G	14 (356)	19-1/2 (495)
H	16-3/4 (425)	19-3/4 (502)
J	11-1/2 (292)	11-1/2 (292)



NOTE - Due to Lennox' ongoing commitment to quality, Specifications, Ratings and Dimensions subject to change without notice and without incurring liability. Improper installation, adjustment, alteration, service or maintenance can cause property damage or personal injury. Installation and service must be performed by a qualified installer and servicing agency.

SPECIFICATIONS

General Data			Model No.	LRP14HP24	LRP14HP30	LRP14HP36	LRP14HP42	LRP14HP48	LRP14HP60
Nominal Tonnage				2	2.5	3	3.5	4	5
Cooling / Heating Performance	Cooling	Total capacity - Btuh		22,600	28,600	34,000	40,000	46,000	57,000
		Total unit watts		2055	2600	3090	3635	4180	5180
		¹ SEER (Btuh/Watt)		14.00	14.00	14.00	14.00	14.00	14.00
		EER (Btuh/Watt)		11.00	11.00	11.00	11.00	11.00	11.00
	High Temp. Heat	Total capacity - Btuh		22,000	27,000	33,400	39,000	45,000	56,000
		Total unit watts		1700	2140	2645	3175	3565	4440
		COP		3.80	3.70	3.70	3.60	3.70	3.70
		HSPF Region IV / Region V		8.00 / 6.95	8.00 / 6.95	8.00 / 6.95	8.00 / 6.95	8.00 / 6.95	8.00 / 6.95
	Low Temp. Heat	Total capacity - Btuh		12,300	15,900	20,000	23,600	27,000	33,600
		Total unit watts		1570	2025	2550	3010	3445	4105
COP			2.30	2.30	2.30	2.30	2.30	2.40	
² Sound Rating Number (dB)			78	78	78	78	78	78	
Refrigerant	Type		R-410A	R-410A	R-410A	R-410A	R-410A	R-410A	
	Charge		5 lbs. 11 oz.	6 lbs. 0 oz.	5 lbs. 12 oz.	10 lbs. 5 oz.	10 lbs. 3 oz.	10 lbs. 1 oz.	
Condensate drain size (fpt) - in.				3/4	3/4	3/4	3/4	3/4	3/4
Outdoor Coil Fan	Motor horsepower		1/6	1/6	1/6	1/4	1/4	1/4	1/4
	Diameter - in.		22	22	22	24	24	24	24
	Number of blades		4	4	4	3	3	3	
Indoor Blower	Blower wheel size dia. x width - in.		10 x 6	10 x 6	10 x 8	10 x 10	10 x 10	12 x 9	
	Motor horsepower		1/4	1/4	1/3	1/3	1/2	1	
Net weight of basic unit - lbs.				333	342	352	455	460	482
Shipping weight of basic unit (1 Pkg.) - lbs.				396	405	415	528	533	555
Electrical characteristics (60 hz)				208/230V-1ph-60hz					

¹ AHRI Certified to AHRI Standard 210/240:

Cooling Ratings - 95°F outdoor air temperature and 80°F db/67°F wb entering indoor coil air.

High Temperature Heating Ratings - 47°F db/43°F wb outdoor air temperature and 70°F entering indoor coil air.

Low Temperature Heating Ratings - 17°F db/15°F wb outdoor air temperature and 70°F entering indoor coil air.

² Sound Rating Number rated in accordance with test conditions included in AHRI Standard 270.



Intertek

NOTE – Due to Lennox' ongoing commitment to quality, Specifications, Ratings and Dimensions subject to change without notice and without incurring liability. Improper installation, adjustment, alteration, service or maintenance can cause property damage or personal injury. Installation and service must be performed by a qualified installer and servicing agency.



OPTIONAL ACCESSORIES - ORDER SEPARATELY

		Model No.	LRP14HP					
			24	30	36	42	48	60
Compressor Crankcase Heater		11X27	•	•	•	•	•	•
Compressor Hard Start Kit		10J42	•	•	•		•	•
		88M91				•		
Downflow Conversion Kit (includes drain pan overflow switch)		11U80	•	•	•			
		11U81				•	•	•
Compressor Timed Off Control		42J27	•	•	•	•	•	•
Electric Heat Size - 208/240V-1ph	5 kW - PHK05BP	10W47	•	•	•	•	•	•
	7.5 kW - PHK05BP	10W48	•	•	•	•	•	•
	10 kW - PHK05BP	10W49	•	•	•	•	•	•
	15 kW - PHK05BP	10W50			•	•	•	•
	20 kW - PHK05BP	10W51				•	•	•
¹ Internal Filter Kit (Filter Not Furnished)	(1) 20 x 20 + (1) 14 X 20	11U73	•	•	•			
	(2) 20 x 20	11U74				•	•	•
Lifting Brackets		11U76	•	•	•	•	•	•
Roof Curbs	14 in. Height	11U78	•	•	•			
		11U79				•	•	•
Single Point Power Kits	For 5 kW Electric Heat ASPWR813-10	13W88	•	•	•	•	•	•
	For 7.5 kW Electric Heat ASPWR814-10	13W89	•	•	•	•	•	•
	For 10 kW Electric Heat ASPWR815-10	13W90	•	•	•	•	•	•
	For 15-20 kW Electric Heat ASPWR816-10	13W91			•	•	•	•

CONTROLS - ORDER SEPARATELY

iComfort® S30 Thermostat	12U67	•	•	•	•	•	•
ComfortSense® 7500 Thermostat	13H14	•	•	•	•	•	•
² Outdoor Air Temperature Sensor	X2658	•	•	•	•	•	•
³ Discharge Air Temperature Sensor	88K38	•	•	•	•	•	•

¹ Filters are not furnished and must be field provided. NOTE - Order two filters for 42, 48 and 60 size units.

² Remote Outdoor Temperature Sensor is recommended for heat pump balance point control and to lock out some of the the electric heating elements where two-stage control is applicable. Also allows the thermostat to display outdoor temperature.

³ Used with the iComfort® S30 Thermostat for optional service diagnostics.



PACKAGED HEAT PUMPS LRP14DF DUAL-FUEL

PRODUCT CATALOG

R-410A - SEER - 14.0 - AFUE - 81% - 2 to 5 Tons
 Net Cooling Capacity - 22,600 to 57,000 Btuh
 Heating Capacity - 22,000 to 56,000 Btuh /
 Input Gas Heating Capacity - 72,000 to 126,000 Btuh

Page 5
 January 2016
 Supersedes June 2015

FEATURES

Dual-Fuel Operation

In the heating mode the unit operates the heat pump for 1st stage heating. If 1st stage is not satisfied, the 2nd stage will activate gas heating (secondary heat source).

Refrigerant System

Non-chlorine, ozone friendly, R-410A refrigerant.

Scroll compressor

Copper tube with enhanced fin coils

Check / Expansion Valve

Reversing Valve

Totally enclosed outdoor coil fan motor

Heavy-Duty Fan

Gas Heating System

Aluminized Steel Heat Exchanger

Aluminized Steel Inshot Burners

Combustion Air Inducer

Heating Control

Limit Controls

Supply Air Blower

Multi-speed, direct drive blower motor

Controls

High Pressure Switch

Low Pressure Switch

Defrost Control with integrated anti-short cycle

40VA transformer furnished.

Cabinet

Conditioned areas insulated to reduce sound levels and minimize heat loss.

Steel louvered panels provides complete coil protection.

Interchangeable panels for horizontal to downflow airflow conversion furnished (shipped for horizontal).

Powder paint for maximum durability



ACCESSORIES

See page 7

- Compressor Crankcase Heater
- Compressor Hard Start Kit
- Compressor Timed-Off Control
- Internal Filter Kits
- Lifting Brackets
- LPG/Propane Conversion Kit
- Roof Curbs
- Single Point Power Kits
- Thermostat

LIMITED WARRANTY

Compressor - ten years

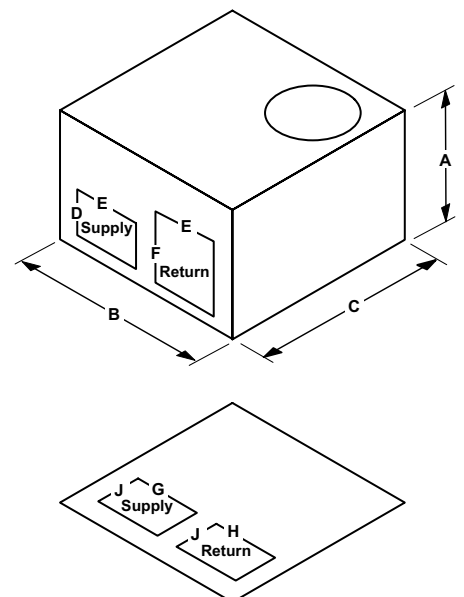
Heat Exchanger - twenty years

All other covered components - five years

Refer to Lennox Equipment Limited Warranty certificate included with equipment for details

Model No.	24 30 36	42 48 60
A	36-7/8 (937)	40-7/8 (1038)
B	46-3/4 (1187)	55-1/4 (1403)
C	46-3/4 (1187)	46-3/4 (1187)
D	14-1/4 (362)	14-1/4 (362)
E	13-3/8 (340)	18-1/8 (467)
F	17 (432)	17 (432)
G	14 (356)	19-1/2 (495)
H	16-3/4 (425)	19-3/4 (502)
J	11-1/2 (292)	11-1/2 (292)

DIMENSIONS



NOTE - Due to Lennox' ongoing commitment to quality, Specifications, Ratings and Dimensions subject to change without notice and without incurring liability. Improper installation, adjustment, alteration, service or maintenance can cause property damage or personal injury. Installation and service must be performed by a qualified installer and servicing agency.

SPECIFICATIONS

General Data		Model No.	LRP14DF24	LRP14DF30	LRP14DF36	LRP14DF42	LRP14DF48	LRP14DF60	
		Nominal Tonnage	2	2.5	3	3.5	4	5	
Cooling / Heating Performance	Cooling	Total capacity - Btuh	22,600	28,600	34,000	40,000	46,000	57,000	
		Total unit watts	2055	2580	3090	3635	4180	5180	
		¹ SEER (Btuh/Watt)	14.00	14.00	14.00	14.00	14.00	14.00	
		EER (Btuh/Watt)	11.00	11.00	11.00	11.00	11.00	11.00	
	High Temp. Heat	Total capacity - Btuh	22,000	27,000	33,400	39,000	45,000	56,000	
		Total unit watts	1700	2140	2645	3175	3565	4440	
		COP	3.80	3.70	3.70	3.60	3.70	3.70	
		HSPF Region IV / Region V		8.00 / 6.95	8.00 / 6.95	8.00 / 6.95	8.00 / 6.95	8.00 / 6.95	8.00 / 6.95
		Total capacity - Btuh	12,300	15,900	20,000	23,600	27,000	33,600	
		Total unit watts	1570	2025	2550	3010	3445	4105	
		COP	2.30	2.30	2.30	2.30	2.30	2.40	
		² Sound Rating Number (dB)	78	78	78	78	78	78	
Gas Heat Available - See Next Page			-072(X)	-072(X)	-072(X), -090	-072(X), -090	-126(X)	-126(X)	
Refrigerant		Type Charge	R-410A 5 lbs. 11 oz.	R-410A 6 lbs. 0 oz.	R-410A 5 lbs. 12 oz.	R-410A 10 lbs. 5 oz.	R-410A 10 lbs. 3 oz.	R-410A 10 lbs. 1 oz.	
Condensate drain size (fpt) - in.			3/4	3/4	3/4	3/4	3/4	3/4	
Outdoor Coil Fan	Motor horsepower		1/6	1/6	1/6	1/4	1/4	1/4	
	Diameter - in.		22	22	22	24	24	24	
	Number of blades		4	4	4	3	3	3	
Indoor Blower	Blower wheel size dia. x width - in.		10 x 6	10 x 6	10 x 8	10 x 10	10 x 10	12 x 9	
	Motor horsepower		1/4	1/4	1/3	1/3	1/2	1	
Net weight of basic unit - lbs.			366	374	389	493	506	528	
Shipping weight of basic unit (1 Pkg.) - lbs.			429	437	452	566	579	601	
Electrical characteristics (60 hz)			208/230V-1ph-60hz						

ELECTRICAL DATA

Line voltage data - 60hz 1 phase	208/230V	208/230V	208/230V	208/230V	208/230V	208/230V
³ Maximum overcurrent protection (amps)	25	30	35	40	45	60
⁴ Minimum Circuit Ampacity	17.4	20.7	24.4	24.4	27	39.7
Compressor Rated load amps	10.9	13.5	15.4	15.9	18	24.3
Outdoor Coil Fan Motor Full load amps	1.0	1.0	1.0	1.7	1.7	1.7
Indoor Blower Motor Full load amps	2.8	2.8	4.1	2.8	2.8	7.6

¹ AHRI Certified to AHRI Standard 210/240: Cooling Ratings - 95°F outdoor air temperature and 80°F db/67°F wb entering indoor coil air. High Temperature Heating Ratings - 47°F db/43°F wb outdoor air temperature and 70°F entering indoor coil air. Low Temperature Heating Ratings - 17°F db/15°F wb outdoor air temperature and 70°F entering indoor coil air.

² Sound Rating Number rated in accordance with test conditions included in AHRI Standard 270.

³ Annual Fuel Utilization Efficiency based on U.S. DOE test procedures and FTC labeling regulations.

⁴ Refer to National or Canadian Electrical Code manual to determine wire, fuse and disconnect size requirements.

SPECIFICATIONS - GAS HEAT

	Model Heating Input	24, 30, 36, 42	36, 42	48, 60
Heating Capacity Btuh	Input	72,000	90,000	126,000
	Output	58,400	72,900	102,100
¹ AFUE		81%	81%	81%
Temperature Rise - °F		40-70	40-70	45-75
Gas Supply Connection (FPT) - in.		1/2	1/2	1/2

Min. Recommended Gas Supply Pressure 5 in. w.g. Natural Gas, 11 in. w.g. LPG/Propane

OPTIONAL GAS HEAT ACCESSORIES - ORDER SEPARATELY

LPG/Propane Conversion Kit	11U77	11U77	11U77
----------------------------	-------	-------	-------

¹ Annual Fuel Utilization Efficiency based on U.S. DOE test procedures and FTC labeling regulations.



Intertek

NOTE - Due to Lennox' ongoing commitment to quality, Specifications, Ratings and Dimensions subject to change without notice and without incurring liability. Improper installation, adjustment, alteration, service or maintenance can cause property damage or personal injury. Installation and service must be performed by a qualified installer and servicing agency.



OPTIONAL ACCESSORIES - ORDER SEPARATELY

		Model No.	LRP14DF					
			24	30	36	42	48	60
Compressor Hard Start Kit		10J42	•	•	•		•	•
		88M91				•		
Compressor Timed-Off Control		47J27	•	•	•	•	•	•
Downflow Conversion Kit (includes drain pan overflow switch)		11U80	•	•	•			
		11U81				•	•	•
Drain Pan Overflow Switch		11U75	•	•	•	•	•	•
¹ Internal Filter Kit (required)	(1) 20 x 20 + (1) 14 x 20	11U73	•	•	•			
	(2) 20 x 20	11U74				•	•	•
Lifting Brackets		11U76	•	•	•	•	•	•
Roof Curbs 14 in. Height		11U78	•	•	•			
		11U79				•	•	•

CONTROLS - ORDER SEPARATELY

iComfort® S30 Thermostat		12U67	•	•	•	•	•	•
ComfortSense® 7500 Thermostat		13H14	•	•	•	•	•	•
² Outdoor Air Temperature Sensor		X2658	•	•	•	•	•	•
³ Discharge Air Temperature Sensor		88K38	•	•	•	•	•	•

¹ Filters are not furnished and must be field provided. NOTE - Order two filters for 42, 48 and 60 size units.

² Remote Outdoor Temperature Sensor is used with residential packaged units. Allows the thermostat to display outdoor temperature.

³ Used with the iComfort® S30 Thermostat for optional service diagnostics.



PRODUCT CATALOG

INDOOR AIR QUALITY PCO3 HEALTHY CLIMATE®

PUREAIR® Air Purification System

Page 1

January 2016

Supersedes June 2015

FEATURES

Multiple air purification technologies in a single, state-of-the-art unit.

Easy to install.

The UVA lights activate the catalyst on the PureAir™ Cartridge that destroys chemicals as they flow through the system, turning them into carbon dioxide and water vapor. The system uses light (UVA), which reacts with a titanium dioxide-based chemical catalyst as air passes through it.

Contaminants are destroyed rather than transferred.

No toxic chemicals are used.

Pollutants are adsorbed on the surface of the catalyst and oxidized to carbon dioxide (CO₂) and water (H₂O).

Rather than just absorbing gaseous pollutants (as in carbon systems), the PCO3 provides a reduction of absolute toxicity as the gaseous products from the complete photocatalytic oxidation of volatile organic compounds are carbon dioxide and water.

MERV 16 Carbon Clean 16® media filter.

Pre-painted steel cabinet.

Front of unit is removable for service access.

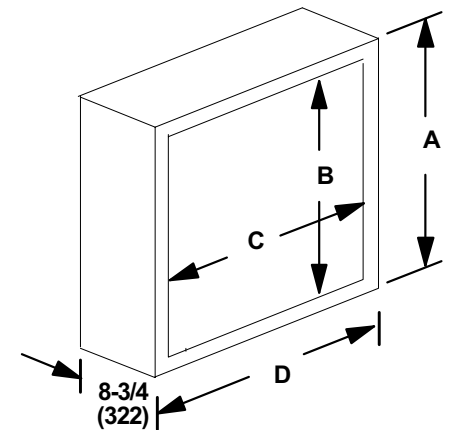
Three-prong, detachable 6-foot power cord for plug-in 120V electrical connection. Optional 230V cord and hard-wire kits are available.



LIMITED WARRANTY

All covered components - five years
Refer to Lennox Equipment Limited Warranty certificate included with equipment for details,

DIMENSIONS



	PCO3-14-16	PCO3-16-16	PCO3-20-16
A	21-1/8 (537)	17-1/2 (445)	21-1/8 (537)
B	18-1/2 (470)	14-5/8 (371)	18-1/2 (470)
C	20-1/4 (514)	23 (584)	23 (584)
D	23-3/4 (603)	26-1/2 (673)	26-1/2 (673)

NOTE - Due to Lennox' ongoing commitment to quality, Specifications, Ratings and Dimensions subject to change without notice and without incurring liability. Improper installation, adjustment, alteration, service or maintenance can cause property damage or personal injury. Installation and service must be performed by a qualified installer and servicing agency.

©2016 Lennox Industries Inc.

SPECIFICATIONS

Model No.	PCO3-14-16	PCO3-16-16	PCO3-20-16
Nominal airflow capacity - cfm	1400	1600	2000
Pressure drop (new unit) - in. w.g.	0.25	0.31	0.31
Pressure drop (end of recommended life) - in. w.g.	0.42	0.42	0.42
Ethanol destruction rate - mg/min. (single pass rated flow destruction rate @ 500 µg/m ³ ethanol)	2.5	3.0	4.0
Number of lamps	1	1	1
Filter size - H x D x W - in.	Nominal	20 x 21 x 5	16 x 26 x 5
	Actual	20 x 20-5/8 x 4-3/8	16-3/8 x 25-1/2 x 4-3/8
Filter life	Up to 12 months	Up to 12 months	Up to 12 months
Shipping Weight - lbs.	27	25	27
Electrical Data	120V or ¹ 230V - 1 phase - 60 hz (less than 1 amp)		
Power Consumption	120 Volt	58	58
	¹ 230 Volt	58	58

MAINTENANCE SUPPLIES - ORDER SEPARATELY

Annual Maintenance Kit (includes 1 of each per kit)	Catalog Number (1-pack)	Y6616	Y6612	Y6608
	Catalog Number (4-pack)	Y6618	Y6614	Y6610
MERV 16 Carbon Clean 16 [®] Pleated Filter	Size - H x D x W - in.	20 x 21 x 5	16 x 26 x 5	20 x 26 x 5
UVA Lamp	Number of lamps	1	1	1
PureAir™ Cartridge	Size - H x D x W - in.	1-7/8 x 20 x 1	1-7/8 x 20 x 1	1-7/8 x 20 x 1
MERV 16 Carbon Clean 16 [®] Pleated Filter	Catalog Number	Y6606	Y6605	Y6604
PureAir Cartridge	Catalog Number	Y6621	Y6607	Y6607

OPTIONAL ACCESSORIES - ORDER SEPARATELY

Power Cord for 230V Operation	91X44	91X44	91X44
-------------------------------	--------------	--------------	--------------

¹ Optional 230V power cord is required and must be ordered extra.





FEATURES

NOTE - Cabinet and Filter must be ordered separately.

MERV 11 and Carbon Clean 16® (MERV 16) filters (Minimum Efficiency Reporting Value based on ASHRAE 52.2).

High performance filtration with a narrow 7 in. cabinet.

Pleated filter design allows maximum air flow and filtration efficiency.

Multi-position cabinet is available for installation on the return air opening of gas, oil or electric forced, warm air furnaces and air handlers with cooling applications up to 5 tons. The unit can be installed in upflow, downflow or horizontal unit applications.

Silent operation, requires no electrical component service, and generates no ozone.

Constant blower operation will achieve the best air cleaning results. No duct transition needed for most furnace applications.

Cabinet constructed of pre-painted galvanized steel. Cabinet will withstand 400 lbs. static weight, enough to support the weight of a typical furnace and indoor coil or air handler.

Tool-less access door allows quick and easy replacement of filter media.

Mounts in any position. Air flow direction through the cabinet can be changed by repositioning the filter. Arrows on filter indicate air flow direction.

Cabinet is shipped compact and requires minimum field assembly. No tools required.

Filter media is certified to UL 900 standard and UL/ULC classification - Class 2.

Two Filter Types are available: Boxed Filters have double-wall beverage board frame for rigid construction.



Filter Cabinet (With Filter in Place)



MERV 11 and Carbon Clean 16™ (MERV 16) Filters



Expandable Filter Kits consist of expandable filter media and reusable filter frame (MERV 16 kits include reusable filter spacers). Kits are shipped compact for field assembly.

Carbon Clean 16™ (MERV 16) Box Filters

50% first-pass reduction of ozone. Carbon coated fiber matrix reduces odors.

Hospital inpatient care/general surgery level filtration.

Removes over 95% of E1 (sub-micron) particles down to 0.3-1 microns.

Removes over 99% of E2 particles down to 1-3 microns.

Removes over 90% of ultra-fine particles down to 0.01 micron, including viruses and bacteria.

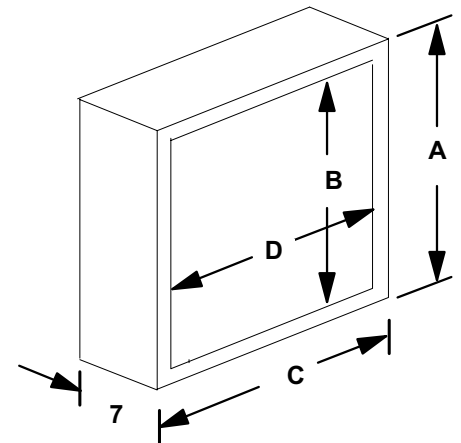
LIMITED WARRANTY

Cabinet has a five year limited warranty in residential applications, one year in non-residential applications.

Filter media is not covered.

Refer to Healthy Climate Equipment Limited Warranty certificate included with cabinet for specific details.

DIMENSIONS



	HCC14-23	HCC16-28	HCC20-28
A	21-1/4	17-1/4	21
B	18-3/4	15	18-1/2
C	23	28-1/2	28-1/2
D	18-1/2	24	24

NOTE – Due to Lennox' ongoing commitment to quality, Specifications, Ratings and Dimensions subject to change without notice and without incurring liability. Improper installation, adjustment, alteration, service or maintenance can cause property damage or personal injury. Installation and service must be performed by a qualified installer and servicing agency.

SPECIFICATIONS

General Data	Cabinet Model No.	HCC14-23	HCC16-28	HCC20-28	HCC14-23	HCC16-28	HCC20-28
	Filter Model No. (Box Filter)	HCF14-11	HCF16-11	HCF20-11	HCF14-16	HCF16-16	HCF20-16
	Filter Model No. (Expandable Filter Kit)	HCXF14-11	HCXF16-11	HCXF20-11	HCXF14-16	HCXF16-16	HCXF20-16
¹ MERV (Minimum Efficiency Reporting Value) rating		11	11	11	16	16	16
Air Flow	Air flow range - cfm	800 - 1400	800 - 1600	1400 - 2000	800 - 1400	800 - 1600	1400 - 2000
	Rated air flow - cfm	1400	1600	2000	1400	1600	2000
Filter Data	Nominal Filter size - in.	20 x 20 x 5	16 x 25 x 5	20 x 25 x 5	20 x 20 x 5	16 x 25 x 5	20 x 25 x 5
	Actual Filter size - in.	20 x 19-3/4 x 4-3/8	15-3/4 x 24-3/4 x 4-3/8	19-3/4 x 24-3/4 x 4-3/8	20 x 19-3/4 x 4-3/8	15-3/4 x 24-3/4 x 4-3/8	19-3/4 x 24-3/4 x 4-3/8
Pressure drop @ rated flow in. w.c. - Initial	HCF - Initial	0.25	0.27	0.27	0.29	0.31	0.31
	- Final	0.40	0.40	0.40	0.40	0.40	0.40
	HCXF - Initial	0.27	0.30	0.27	0.29	0.31	0.31
	- Final	0.40	0.40	0.40	0.40	0.40	0.40
² Filter estimated service life (months)		up to 12 months					
Shipping weight - lbs.	Cabinet	15	17	18	15	17	18

MAINTENANCE SUPPLIES - ORDER SEPARATELY

Replacement filter media for Expandable Filter Kits	X8311	X8309	X8310	X8314	X8312	X8313
Replacement filter media for Box Filter Kits	X0585	X6670	X6673	X7935	X6672	X6675

¹ Rated at 492 feet per minute

² Factors will influence the frequency of replacement of filter media, such as: the number of people in the home, activities, lifestyle, number of pets, and size of home.





INDOOR AIR QUALITY CARBON CLEAN 16™ FILTERS HEALTHY CLIMATE®

PRODUCT CATALOG

Boxed Filters

Page 5

January 2016

Supersedes June 2015

FEATURES

Disposable, pleated MERV 16 filters (Minimum Efficiency Reporting Value based on ASHRAE 52.2).

50% first-pass reduction of ozone.

Carbon coated fiber matrix reduces odors.

Hospital inpatient care/general surgery level filtration.

Removes over 95% of E1 (sub-micron) particles down to 0.3-1 microns.

Removes over 99% of E2 particles down to 1-3 microns.

Removes over 90% of ultra-fine particles down to 0.01 micron, including viruses and bacteria.

Double-wall beverage board frame for rigid construction.

Media is certified to UL 900 standard and UL/ULC classification - Class 2.



Nominal Filter Size (in.)	Brand	Replaces Filter for Air Cleaner Model:	Replaces Filter Media:	Order No.
16 x 25 x 5	Lennox	HCC16-28	HCF16-16, HCF16-11	X6672
	Honeywell	F25A1043, F25F1042, F35F1008, F100F1012, F150E1026, F200E1029	FC35A1001, FC100A1029, FC200E1029	
	Carrier	EZXCAB016, MACA016, MPKA016, FILCAB016	EXPXXFIL0016, EXPXXUNV0016, EXPXXLMC0016, FILCCCAR0016	
	Trion Air Bear™	Supreme 1400 455602-119	255649-105	
20 x 20 x 5	Lennox	HCC14-23	HCF14-16, HCF14-11	X7935
	Honeywell	F25F1018, F35F1016, F100F1020	203721 FC35A1019 FC100A1011	
20 x 25 x 5	Lennox	HCC20-28	HCF20-16, HCF20-11	X6675
	Honeywell	F25A1068, F25F1067, F35F1024, F100F1038, F150E1034, F200E1037	FC35A1027, FC100A1037, FC200E1037, F35Expandapac	
	Carrier	EZXCAB020, MACA020, MPKA020, FILCAB020	EXPXXFIL0020, EXPXXUNV0020, EXPXXLMC0020, FILCCCAR0020	
	Trion Air Bear™	453000-001 Supreme 2000 455602-001, 447380-002	255649-102, 229990-002, 229990-102	

Note - If Lennox Replacement filter does not fully engage top or bottom flanges in a competitor's filter cabinet, weather stripping maybe added to the bottom of filter to properly position the filter and prevent bypass air leakage.

NOTE - Due to Lennox' ongoing commitment to quality, Specifications, Ratings and Dimensions subject to change without notice and without incurring liability. Improper installation, adjustment, alteration, service or maintenance can cause property damage or personal injury. Installation and service must be performed by a qualified installer and servicing agency.



**INDOOR AIR QUALITY
MERV 11 FILTERS
HEALTHY CLIMATE®**

PRODUCT CATALOG

Boxed Filters

Page 6

January 2016

Supersedes June 2015

FEATURES

MERV 11 (Minimum Efficiency Reporting Value) – Based on ASHRAE 52.2

Disposable, pleated filter media. Available for replacement of existing air cleaner filters.



Nominal Filter Size (in.)	Brand	Replaces Filter for Air Cleaner Model:	Replaces Filter Media:	Order No.
16 x 25 x 3	Lennox	BMAC-12C	X0581	X0581
	Trion	Air Bear™	Air Bear™	
16 x 20 x 5	Lennox		X0582	X0582
	Honeywell	F25F1075 F35F1032 F100F1004	209894 FC35A1035 FC100A1003	
16 x 25 x 5	Lennox		X0583	X0583
	Honeywell	F25F1000 F35F1008 F100F1012	203719 FC35A1001 FC100A1029	
16 x 25 x 5	Lennox	HCC16-28	HCF16-11	X6670
	Honeywell	F25A1043 F25F1042 F35F1008 F100F1012 F150E1026 F200E1029	FC35A1001 FC100A1029 FC200E1029	
	Carrier	EZXCAB016 MACA016 MPKA016 FILCAB016	EXPXXFIL0016 EXPXXLMC0016 EXPXXUNV0016 FILCCCAR0016	
	Trion	Supreme 1400 455602-119	255649-105	
16 x 26 x 5	Lennox	BMAC-14CE	X0584	X0584
	White Rodgers	ACB1400	FR1400	
20 x 20 x 5	Lennox	HCC14-23	HCF14-11 HCF14-16 X0585	X0585
	Honeywell	F25A1018 F35F1016 F100F1020	203721 FC35A1019 FC100A1011	
20 x 25 x 5	Lennox	BMAC-20C	X0586	X0586
	Honeywell	F25F1026 F35F1024 F100F1038	203720 FC35A1027 FC100A1037	
20 x 25 x 5	Lennox	HCC20-28	HCF20-11	X6673
	Honeywell	F25A1068 F25F1067 F35F1024 F100F1038 F150E1034 F200E103	FC35A1027 FC100A1037 FC200E1037 F35Expandapac	
	Carrier	EZXCAB020 MACA020 MPKA020 FILCAB020	EXPXXFIL0020 EXPXXLMC0020 EXPXXUNV0020 FILCCCAR0020	
	Trion	453000-001 Supreme 2000 455602-001 447380-002	255649-102 229990-002 229990-102	
20 x 25 x 5	Lennox	¹ BMAC-20C MF1-20	X0586 X1152 92G07	X1152
	Trion	¹ Trion Air Bear	229990-102	
20 x 26 x 5	Lennox	BMAC-20CE	X0587	X0587
	White Rodgers	ACB2000	FR2000	

Note – If Lennox Replacement filter does not fully engage top or bottom flanges in a competitor’s filter cabinet, weather stripping maybe added to the bottom of filter to properly position the filter and prevent bypass air leakage.
¹ Alternate filter replacement with higher dust holding capacity.



**INDOOR AIR QUALITY
MERV 16 FILTERS
HEALTHY CLIMATE®**

PRODUCT CATALOG

Expandable Filter Kits

Page 7

January 2016

Supersedes June 2015

FEATURES

MERV 16 (Minimum Efficiency Reporting Value) - Based on ASHRAE 52.2

Replaceable Expandable Filter Media in Reusable Filter Frame

Disposable, expandable pleated filter media. Available for replacement of existing air cleaner filters.

Shipped complete with reusable filter frame, expandable filter media and filter spacers. Some assembly required.



Nominal Filter Size (in.)	Brand	Replaces Filter for Air Cleaner Model:		Replaces Filter Media:		Complete Kit Order No.	Replacement Filter Media Order No.
16 x 25 x 5	Lennox	HCC16-28		HCF16-16 HCF16-11	HCXF16-16 HCXF16-11	X8306	X8312
	Honeywell	F25A1043 F35F1008 F100F1012	F25F1042 F200E1029 F150E1026	FC35A1001 FC100A1029	FC200E1029		
	Carrier	EZXCAB016 FILCAB016	MACA016 MPKA016	EXPXXUNV0016 EXPXXLMC0016	EXPXXFIL0016 FILCCCAR0016		
	Trion Air Bear™	Supreme 1400	455602-119	255649-105			
20 x 20 x 5	Lennox	HCC14-23		HCF14-16 HCF14-11	HCXF14-16 HCXF14-11	X8308	X8314
	Honeywell	F25F1018 F100F1020	F35F1016	203721 FC35A1019	FC100A1011		
20 x 25 x 5	Lennox	HCC20-28		HCF20-16 HCF20-11	HCXF20-16 HCXF20-11	X8307	X8313
	Honeywell	F25A1068 F35F1024 F150E1034	F25F1067 F100F1038 F200E1037	FC35A1027 F35Expandapac	FC100A1037 FC200E1037		
	Carrier	EZXCAB020 MPKA020	MACA020 FILCAB020	EXPXXUNV0020 EXPXXLMC0020	EXPXXFIL0020 FILCCCAR0020		
	Trion Air Bear™	453000-001 Supreme 2000	455602-001 447380-002	255649-102 229990-002	229990-102		

Note - If Lennox Replacement filter does not fully engage top or bottom flanges in a competitor's filter cabinet, weather stripping maybe added to the bottom of filter to properly position the filter and prevent bypass air leakage.

NOTE - Due to Lennox' ongoing commitment to quality, Specifications, Ratings and Dimensions subject to change without notice and without incurring liability. Improper installation, adjustment, alteration, service or maintenance can cause property damage or personal injury. Installation and service must be performed by a qualified installer and servicing agency.



**INDOOR AIR QUALITY
MERV 11 FILTERS
HEALTHY CLIMATE®**

PRODUCT CATALOG

Expandable Filter Kits

Page 8

January 2016

Supersedes June 2015

FEATURES

MERV 11 (Minimum Efficiency Reporting Value) - Based on ASHRAE 52.2

Replaceable Expandable Filter Media in Reusable Filter Frame Disposable, expandable pleated filter media. Available for replacement of existing air cleaner filters.

Shipped complete with reusable filter frame and expandable filter media. Some assembly required.



Nominal Filter Size (in.)	Brand	Replaces Filter for Air Cleaner Model:		Replaces Filter Media:		Complete Kit Order No.	Replacement Filter Media Order No.
16 x 25 x 5	Lennox	HCC16-28		HCF16-11,	HCXF16-11	X8303	X8309
	Honeywell	F25A1043 F25F1042 F35F1008	F100F1012 F150E1026 F200E1029	FC35A1001 FC100A1029	FC200E1029		
	Carrier	EZXCAB016 MACA016,	MPKA016 FILCAB016	EXPXXFIL0016 EXPXXUNV0016	EXPXXLMC0016 FILCCCAR0016		
	Trion	Supreme 1400	455602-119	255649-105			
20 x 20 x 5	Lennox	HCC14-23		HCF14-11 HCXF14-11	HCF14-16 X0585	X8305	X8311
	Honeywell	F25A1018 F35F1016	F100F1020	203721 FC35A1019	FC100A1011		
20 x 25 x 5	Lennox	HCC20-28		HCF20-11	HCXF20-11	X8304	X8310
	Honeywell	F25A1068 F25F1067 F35F1024	F100F1038 F150E1034 F200E1037	FC35A1027 FC100A1037	FC200E1037 F35Expandapac		
	Carrier	EZXCAB020 MACA020	MPKA020 FILCAB020	EXPXXFIL0020 EXPXXUNV0020	EXPXXLMC0020 FILCCCAR0020		
	Trion	453000-001 Supreme 2000	455602-001 447380-002	255649-102 229990-002	229990-102		

Note – If Lennox Replacement filter does not fully engage top or bottom flanges in a competitor's filter cabinet, weather stripping may be added to the bottom of filter to properly position the filter and prevent bypass air leakage.

NOTE – Due to Lennox' ongoing commitment to quality, Specifications, Ratings and Dimensions subject to change without notice and without incurring liability. Improper installation, adjustment, alteration, service or maintenance can cause property damage or personal injury. Installation and service must be performed by a qualified installer and servicing agency.



INDOOR AIR QUALITY MERV 8 FILTERS HEALTHY CLIMATE®

PRODUCT CATALOG

Pleated Filters

Page 9

January 2016

Supersedes June 2015

FEATURES

Healthy Climate® MERV 8 pleated filter

MERV 8 (Minimum Efficiency Reporting Value) - Based on ASHRAE 52.2

1 in. thick disposable, pleated filter media.

Sold in packages of 4.



Filter Size		Catalog No. (Package of 4)
in.	mm	
14 x 20 x 1	356 x 508 x 25	91X23
15 x 20 x 1	381 x 508 x 25	91X24
16 x 20 x 1	406 x 508 x 25	98N46
20 x 20 x 1	508 x 508 x 25	98N43
14 x 25 x 1	406 x 635 x 25	98N45
16 x 25 x 1	406 x 635 x 25	98N42
18 x 25 x 1	457 x 635 x 25	91X25
20 x 25 x 1	508 x 635 x 25	98N44
25 x 25 x 1	635 x 635 x 25	91X26





**INDOOR AIR QUALITY
HEPA
HEALTHY CLIMATE®**

PRODUCT CATALOG

HEPA Bypass Air Filtration System

Page 10
January 2016
Supersedes June 2015

FEATURES

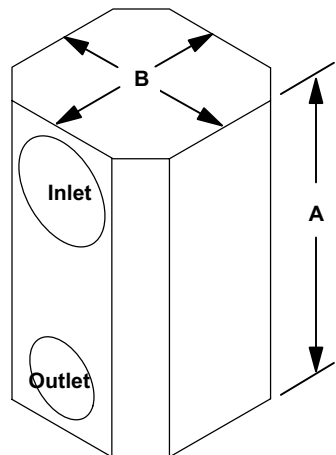
Designed for use in forced air systems or can be used independently.
Three-stage filtration process:
Stage one - the pre-filter removes large particulates.
Stage two - HEPA filter captures 99.97% of particulates 0.3 micron and larger.
Stage three - carbon filter captures chemicals and odors from the air.
Cabinet is constructed of painted, heavy-gauge galvanized steel that is completely insulated.



All covered components - five years
Refer to Lennox Equipment Limited
Warranty certificate included with
unit for specific details.



DIMENSIONS



	HEPA-20	HEPA-40 HEPA-60
A	17-7/8 (454)	28 (711)
B	14 (356)	16-1/8 (410)
Connections	Inlet	8 (203)
	Outlet	6 (152)
		10 (254)
		8 (203)

SPECIFICATIONS

	Model No.	HEPA-20	HEPA-40	HEPA-60
Nominal Air Flow at 120VAC and 0 in. w.g. external static pressure - cfm		180	320	500
Electrical characteristics		120V-60hz-1 ph		
Power Consumption		125 watts	125 watts	225 watts
Amp Draw		1	1	1.8
Connections - in.	inlet - round	8	10	10
	outlet - round	6	8	8
Operating Temperature Range		30 - 95°F	30 - 95°F	30 - 95°F
Shipping weight	lbs. - 1 package	30	44	49

OPTIONAL ACCESSORIES / MAINTENANCE ITEMS - ORDER SEPARATELY

Annual Maintenance Kits (charcoal filters, carbon pre-filter, O-ring)		X5803	X5804	X5804
Replacement Filter Media	HEPA	92X17	92X10	92X10
	Carbon Pre-filter	95X12	92X08	92X08
	Carbon Inner Filter	X2678	92X09	92X09
Carbon Canister		94X98	98X75	98X75
Interlock Kit		X2680	X2680	X2680

NOTE - Due to Lennox' ongoing commitment to quality, Specifications, Ratings and Dimensions subject to change without notice and without incurring liability. Improper installation, adjustment, alteration, service or maintenance can cause property damage or personal injury. Installation and service must be performed by a qualified installer and servicing agency. ©2012 Lennox Industries Inc.



PRODUCT CATALOG

Ultraviolet Germicidal Light

Page 11

January 2016

Supersedes June 2015

FEATURES

Lights are designed to fit into a wide variety of applications including indoor coils, air handlers and supply and return air duct work.

Installation requires drilling a one inch diameter hole per lamp (two holes required for dual lamp model).

The lamp emits C-Band ultra-violet (UVC) energy at 253.7 nanometers, which is proven to be effective in reducing microbes such as viruses, bacteria, yeasts, and molds. This process either destroys the organism or controls its ability to reproduce. UVC germicidal light greatly reduces the growth and proliferation of mold and other bioaerosols (bacteria and viruses) on illuminated surfaces (particularly coil and drain pan).

Surfaces must be cleaned prior to UVC light being installed.

Integrated safety interlock switch on lamp base prevents lamp operation when lamp is removed from lamp base for servicing.

Waterproof power cord fitting on lamp base holder assembly.



Light assembly consists of lamp holder sub-assembly (two for dual lamp model), enhanced ballast, lamp(s), and all necessary mounting hardware. Shielding baffle for lamp is available and must be ordered separately.

Lamp base with tool-less (twist-lock) lamp removal for servicing and replacement.

Low power consumption, high UVC output lamp(s).

Electronic rapid-start ballast.

Heavy-duty flexible 6 ft. power cord (18 AWG, SJT, UL rated) with in-line disconnect.

LED status indicators on ballast.

DIMENSIONS

		UVC-24V	UVC-41W-S UVC-41W-D
Ballast	Length	4-3/4 (121)	11-3/4 (298)
	Width	2-1/4 (57)	2-3/4 (70)
	Height	2 (51)	1-5/8 (41)
Lamp + holder - Overall length		17-1/2 (445)	



SPECIFICATIONS

		Model No.	UVC-24V	UVC-41W-S	UVC-41W-D
Number of Lamps			1	1	2
¹ Microwatt/cm² Output			320	670	(2) 670
Shipping Data	lbs. - 1 package		4	6	7
Electrical Data	Voltage - 50/60 hz - 1 phase		² 24V	110/230V-1 phase	110/230V-1 phase
	Input Line Current (Amps)		1.0	1.3	1.3
	Input Power (W)		24	41	82

MAINTENANCE ITEMS / OPTIONAL ACCESSORIES - ORDER SEPARATELY

Replacement Lamp(s)	Blue Tip	16 in. Lamp	Y0390			
	Green Tip	16 in. Lamp	Y0391	•		•
Shielding Baffle		For 14 in. Lamp	Y5172	•	•	•
		For 16 in. Lamp	Y5171	•		
Transformer		120V/24V 40VA	42J32	•		
		120-240V/24V 75VA	12P61	•		

¹ Test conditions: new lamps, 500 fpm air velocity, 70°F air temperature, measured 12 in. from lamp.

² 24VA capacity step-down transformer required (not furnished).

³ Two lamps required.

NOTE - Due to Lennox' ongoing commitment to quality, Specifications, Ratings and Dimensions subject to change without notice and without incurring liability. Improper installation, adjustment, alteration, service or maintenance can cause property damage or personal injury. Installation and service must be performed by a qualified installer and servicing agency.



PRODUCT CATALOG

**INDOOR AIR QUALITY
UV
HEALTHY CLIMATE®**

Ultraviolet Germicidal Light

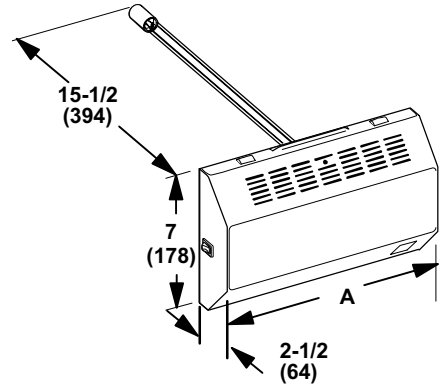
Page 12
January 2016
Supersedes June 2015

FEATURES

- Ultraviolet Light Destroys and Controls Micro-Organisms (Viruses, Bacteria, Yeasts and Molds)
- Low Power Consumption
- Detachable 8 ft., three-prong power cord
- Low power consumption, high UVC output lamp(s)
- High Output Electronic Ballast
- Low Maintenance
- Air Seal Gasket
- External, UV-Proof Viewing Port
- Easily Installs in Return Air Duct or near Indoor Coil or Supply Air Duct
- Lighted On/Off Switch
- External Fuse



DIMENSIONS



	A
1000	11 (279)
2000	17 (432)

SPECIFICATIONS

General Data	Model No.	UV-1000	UV-2000
	Number of lamps	1	2
¹ Microwatt/cm ² Output		1496	2138
Shipping Data	lbs. - 1 package	9	12
Electrical Data	Voltage - 60 hz - 1 phase	120V	120V
	Input Line Current (Amps)	0.46	0.9
	Input Power (W)	56	108

OPTIONAL ACCESSORIES - ORDER SEPARATELY

Remote Interlock Switch	64X53	Standard
Replacement lamp(s)	64X56	64X56 2 required

¹ Test conditions: new lamps, 500 cfm air flow, 50°F air temperature, measured 12 in. from lamp.

OVERVIEW

Whole-house ventilation for improved indoor air quality and comfort. Automatic monitoring of outdoor temperature and indoor relative humidity.

Compatible with any forced air HVAC system.

Digital Ventilation Controller is installed in the return duct of a forced air HVAC system.

Meets ASHRAE 62.22010 Standard for Ventilation.

Working in conjunction with the supplied damper, the Ventilation Controller determines when and how long to ventilate. This is done through continuous monitoring of indoor relative humidity, outdoor temperature, and user-adjusted timer settings.

Indoor relative humidity is monitored to help prevent high humidity conditions inside the house. The Digital Ventilation Controller will not open the damper to the outside air if there is a chance of raising the humidity inside the house to high levels.

The Digital Ventilation Controller prevents ventilation operation when indoor relative humidity is above 55% and the outside temperature is above 50°F to prevent excess indoor humidity levels.

The Digital Ventilation Controller operates in one of four available modes.

- Mode A: Timer Controlled Ventilation (no temperature or humidity limits)
- Mode B: Timer Controlled Ventilation (with temperature and humidity limits)
- Mode C: Timer Controlled Ventilation for Cold Climates (with temperature and humidity limits)
- Mode D: Timer Controlled Ventilation for Warm Climates (with temperature and humidity limits)



LIMITED WARRANTY

Two-year limited warranty in residential applications. Refer to Lennox Equipment Limited Warranty certificate included with unit for specific details.

COMPONENTS

Kit (X4141) includes Digital Ventilation Controller, motorized damper, outdoor temperature sensor, "time only" resistor, and 24 VAC transformer.

Controller - Input: 22 to 30 VAC, 2.0VA nominal

Damper Output: 18 to 30 VAC, 10VA nominal

Temperature accuracy: $\pm 5^\circ\text{F}$

Relative Humidity Accuracy: $\pm 5\%$ RH

Ventilation Time: 0-60 minutes (selectable)

Must be installed at least 6 inches up-stream from fresh air intake duct, humidifier or humidifier bypass duct work.

Indoor Humidity is measured in the return duct with a sensor built into the Controller.

Controller Settings:

Ventilation Time - Set by the knob on front exterior of controller. Unlimited settings from Off to 60 minutes.

Test - "TEST" setting is all the way clockwise on the Ventilation Time knob. This setting is used to check the Controller at installation. In Test mode the Ventilation Controller activates the HVAC blower and opens the damper for one minute or until the knob is taken off the "Test" setting, whichever occurs first. After the minute has passed, the Ventilation Controller will not work until the knob is placed in the "off" position for several seconds then setting it to the desired ventilation time.

Outdoor Temperature Sensor -

Senses outdoor temperature and reports to the controller.

Sensor should be installed in the fresh air intake hood (field provided) or in the intake duct, no more than three feet from the outside wall.

If the outdoor temperature is above 100°F or below 0°F, the damper will not open.

Damper - 6 in. diameter, 10-3/4 in. length

Normally-closed, power-open 24 VAC / 0.31 amp / Two-wire

Transformer - 120V primary, 24 VAC secondary 10VA output



**INDOOR AIR QUALITY
HCWP3
HEALTHY CLIMATE®**

PRODUCT CATALOG

**Power Humidifier
18 Gallons Per Day**

Page 15
January 2016
Supersedes June 2015

FEATURES

Corrosion Resistant Plastic Housing
Distribution tray provides even water distribution.

Large Evaporative Capacity

24 Volt Brass Solenoid Valve

Saddle Valve

Duct Mount

Manual Humidistat models provide manual control of room relative humidity.

Automatic Humidifier Control models senses indoor relative humidity and outdoor temperature to adjust humidity setpoint to provide optimum humidity levels within the space.

Easy Service Access

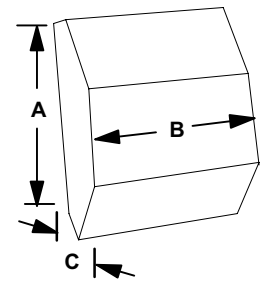


Automatic Humidifier Control (furnished with "A" Models)

Manual Humidistat (furnished with standard Models)



DIMENSIONS



	A	B	C
HCWP3-18	16	16	11-3/8
HCWP3-18A	(406)	(406)	(288)

LIMITED WARRANTY

All covered components - Five year limited warranty in residential applications, one year in non-residential applications.

Filter media is not covered.

Refer to Healthy Climate Equipment Limited Warranty certificate included with cabinet for specific details.



SPECIFICATIONS

Model No.	Manual Humidistat Control	HCWP3-18
	Automatic Humidifier Control	HCWP3-18A
Type		Power
Plenum Connection		Supply
Capacity	Air plenum temperature	120°F
	US Gallons per day	18
Connections in.	Plenum - H x W - in.	14-5/16 x 14-3/4
	Water supply	1/4 compression
	Drain	1/2 I.D.
	Electrical	Power cord w/ 3-prong plug
Evaporator pad size - in.		13 x 10 x 1-11/16
Electrical characteristics		120V-60hz-1ph - 0.8 amp
Shipping weight - lbs. - 1 package		15
OPTIONAL ACCESSORIES		
Healthy Climate® Digital Automatic Humidistat		Y3760
MAINTENANCE SUPPLIES		
Replacement Media		X2661

NOTE - Due to Lennox' ongoing commitment to quality, Specifications, Ratings and Dimensions subject to change without notice and without incurring liability. Improper installation, adjustment, alteration, service or maintenance can cause property damage or personal injury. Installation and service must be performed by a qualified installer and servicing agency.



INDOOR AIR QUALITY HCWB3 HEALTHY CLIMATE®

PRODUCT CATALOG

By-Pass Humidifier
12 to 17 Gallons Per Day

Page 16

January 2016

Supersedes June 2015

FEATURES

- Corrosion Resistant Plastic Housing
- Right or Left-Hand Air Flow
- Built-in Damper
- Distribution tray provides even water distribution.
- Large Evaporative Capacity
- 24 Volt Brass Solenoid Valve
- Saddle Valve
- Manual Humidistat models provide manual control of room relative humidity.
- Automatic Humidifier Control models sense indoor relative humidity and outdoor temperature to provide optimum humidity levels within the space.
- Easy Service Access

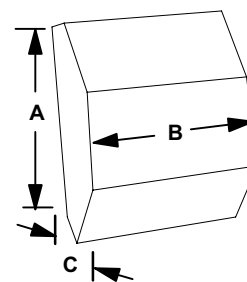


Automatic Humidifier Control (furnished with "A" Models)

Manual Humidistat (furnished with standard Models)



DIMENSIONS



	A	B	C
HCWB3-12	12-7/8	12	10-1/4
HCWB3-12A	(327)	(305)	(260)
HCWB3-17	15-7/8	12	10-1/2
HCWB3-17A	(403)	(305)	(267)



LIMITED WARRANTY

All covered components - Five year limited warranty in residential applications, one year in non-residential applications.
Filter media is not covered.
Refer to Healthy Climate Equipment Limited Warranty certificate included with cabinet for specific details.

SPECIFICATIONS

Model No.	Manual Humidistat Control	HCWB3-12	HCWB3-17
	Automatic Humidifier Control	HCWB3-12A	HCWB3-17A
	With Manual Humidistat Control and Installation Kit (Canada only)	HCWB3-12K	HCWB3-17K
	With Automatic Humidifier Control and Installation Kit (Canada only)	HCWB3-12AK	HCWB3-17AK
Type		By-Pass	By-Pass
Plenum Connection		Return	Return
Capacity	Air plenum temperature	120°F	120°F
	US Gallons per day	12	17
Connections	Plenum - H x W - in.	9-1/2 x 9-1/2	12-3/4 x 10
	By-Pass Duct - in.	6 (round)	6 (round)
	Water supply	1/4 compression	1/4 compression
	Drain	1/2 I.D.	1/2 I.D.
	Electrical	Hard-wired	Hard-wired
Evaporator pad size - in.		9-1/2 x 9-5/8 x 1-11/16	13 x 10 x 1-11/16
Electrical characteristics		24V-60hz-1ph - 0.5 amp	24V-60hz-1ph - 0.5 amp
Shipping weight - lbs. - 1 package		8	9
OPTIONAL ACCESSORIES			
Healthy Climate® Digital Automatic Humidistat		Y3760	Y3760
MAINTENANCE SUPPLIES			
Replacement Media		X2660	X2661

NOTE - Due to Lennox' ongoing commitment to quality, Specifications, Ratings and Dimensions subject to change without notice and without incurring liability. Improper installation, adjustment, alteration, service or maintenance can cause property damage or personal injury. Installation and service must be performed by a qualified installer and servicing agency.



PRODUCT CATALOG

**INDOOR AIR QUALITY
HRV/ERV
HEALTHY CLIMATE®**

Heat Recovery Ventilator
Energy Recovery Ventilator

Page 17
January 2016
Supersedes June 2015



FEATURES

Thermally Conductive Patented Aluminum Core Transfers Heat (HRV)
Enthalpic Core Transfers Moisture and Heat (ERV)
ERV Models Recommended for Areas With High Humidity
Recirculating Damper Defrost (HRV3-095, HRV3-150-TPD, HRV5-150, HRV5-200-TPD)
Damper Defrost (HRV3-195, HRV3-300)
Fan Defrost System (HRV3-150-TPF)
Remote, Wall Mount Dehumidistat / Ventilation Control furnished (HRV)
Digital 2 Speed / 4 Mode Control furnished (GDX Canada only)
Remote, Ventilation Control Furnished (ERV)
Capable of interlocking with indoor blower
Dual, Centrifugal Type Direct Drive Blower with multi-speed PSC Motor Safety Interlock Switch
Washable, MERV 4 Air Filters in Exhaust and Supply Air Streams
Access Panels With Quick Release Catches
Fully Insulated Pre-painted Steel Cabinet
Control Box with control circuit board and transformer.
Terminal strip
Four Threaded Inserts Furnished for Hanging Unit
Condensate drain (HRV models)
3-prong 120VAC Plug-in Connection



HRV5-150



HRV3-150-TPD/TPF, HRV5-200-TPD



HRV3-095



ERV3-150-200

LIMITED WARRANTY

HRV Core - Limited lifetime
ERV Core - 5 years
All other covered components - 5 years
Refer to Limited Warranty Certificate included with the equipment for more details.

ACCESSORIES

Controls

- Five Speed Programmable Controller
- Two Speed, Four Mode Digital Control
- 20/40/60 Minute Fan Timer
- 20 Minute Fan Timer

Air Balancing Tools

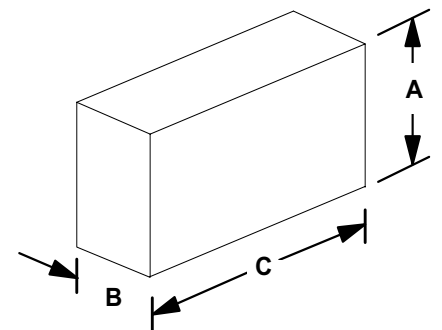
- Door Port Gauge Tube Set
- Digital Handheld Manometer
- Pitot Tubes
- Butterfly Balancing Damper
- Backdraft Damper

Ductwork

- Duct Heaters
- Flexible Ducts
- Hinged Kitchen Exhaust Grille
- Round Diffusers
- Weatherhood Kit

DIMENSIONS

	HRV3-095	HRV3-150	HRV5-150 ERV3-150 ERV3-200
A	24-1/2 (422)	17-1/4 (438)	19 (483)
B	19 (483)	14 (356)	14-3/4 (375)
C	19 (483)	22-3/4 (578)	33-5/8 (854)
	HRV5-200	HRV3-195 HRV3-300	
A	18-3/4 (476)	19 (483)	
B	14 (356)	14-3/4 (375)	
C	33-5/8 (854)	49 (1245)	



NOTE - Due to Lennox' ongoing commitment to quality, Specifications, Ratings and Dimensions subject to change without notice and without incurring liability. Improper installation, adjustment, alteration, service or maintenance can cause property damage or personal injury. Installation and service must be performed by a qualified installer and servicing agency.

SPECIFICATIONS - HRV

		Model No.	HRV3-095	HRV5-150	HRV3-150-TPD	HRV3-150-TPF
			¹ HRV3-095-GDX ¹	¹ HRV5-150-GDX ¹	¹ HRV3-150-TPD-GDX ¹	¹ HRV3-150-TPF-GDX ¹
		No. of Cores	Single	Single	Single	Single
ENERGY STAR® Qualified (Canada Only)			Yes	Yes	No	No
Performance	Sensible effectiveness @ 32°F		88% (60 cfm)	84% (59 cfm)	74% (66 cfm)	75% (66 cfm)
	Sensible efficiency (thermal) @ 32°F		75% (60 cfm)	75% (59 cfm)	61% (66 cfm)	66% (66 cfm)
	Sensible efficiency (thermal) @ -13°F		68% (61 cfm)	72% (64 cfm)	63% (76 cfm)	56% (76 cfm)
Blower	Air Flow (cfm)	0.1 in. w.g.	76	184	169	174
	vs. Static Pressure	0.2 in. w.g.	73	163	156	165
	(high speed)	0.3 in. w.g.	70	146	149	154
	(HVI Certified)	0.4 in. w.g.	66	132	136	143
		0.5 in. w.g.	60	115	126	132
		0.6 in. w.g.	---	92	116	120
		0.7 in. w.g.	---	60	103	107
		0.8 in. w.g.	---	---	89	95
Number of Speeds Available (with furnished control)			2	2	2	2
Number of Speeds Available (with optional control)			5	5	5	5
Defrost type			Recirculating	Recirculating	Recirculating	Fan
Door Port Balancing			No	Yes	Yes	Yes
Balancing Damper in Intake and Exhaust Collar			No	Yes	Yes	Yes
Duct Connections (No.) & diameter - inch			(2) 5 outside	(2) 6 outside	(2) 5 outside	(2) 5 outside
Ports			(2) 6 inside	(2) 6 inside	(2) 5 inside	(2) 5 inside
Condensate drain (o.d.) - in. (includes tee)			(2) 1/2	(2) 1/2	(2) 1/2	(2) 1/2
Shipping weight - lbs.			56	73	54	54
ELECTRICAL DATA						
		Voltage	120 volts - 60 hertz - 1 phase			
		Blower HP (PSC type)	1/20	1/10	1/20	1/20
		Fan Watts - high speed @ 0.3 in. w.g.	150	118	110	118
		Fan Watts - low speed @ 0.3 in. w.g.	60	66	57	66
		Amp Rating	0.9	1.4	1.3	1.4

NOTE - Effectiveness is based on temperature difference between the 2 airstreams. Efficiency includes parasitic losses from fan operation.

¹ Canada only.**SPECIFICATIONS - HRV**

		Model No.	HRV5-200-TPD	HRV3-195	HRV3-300
			¹ HRV5-200-TPD-GDX ¹		
		No. of Cores	Single	Dual	Dual
ENERGY STAR® Qualified (Canada Only)			Yes	Yes	Yes
Performance	Sensible effectiveness @ 32°F		77% (100 cfm)	86% (114 cfm)	90% (117 cfm)
	Sensible efficiency (thermal) @ 32°F		68% (100 cfm)	78% (114 cfm)	79% (117 cfm)
	Sensible efficiency (thermal) @ -13°F		68% (100 cfm)	72% (112 cfm)	70% (132 cfm)
Blower	Air Flow (cfm)	0.1 in. w.g.	222	216	232
	vs. Static Pressure	0.2 in. w.g.	207	195	212
	(high speed)	0.3 in. w.g.	193	181	202
	(HVI Certified)	0.4 in. w.g.	179	158	183
		0.5 in. w.g.	165	144	163
		0.6 in. w.g.	150	125	144
		0.7 in. w.g.	135	107	123
		0.8 in. w.g.	119	72	92
Number of Speeds Available (with furnished control)			2	2	2
Number of Speeds Available (with optional control)			5	5	5
Defrost type			Recirculating	Damper	Damper
Door Port Balancing			Yes	No	No
Balancing Damper in Intake and Exhaust Collar			Yes	No	No
Duct Connections (No.) & diameter - inch			(2) 6 outside (2) 6 inside	(2) 6 outside (2) 7 inside (1) 6 defrost	(2) 6 outside (2) 7 inside (1) 6 defrost
Condensate drain (o.d.) - in. (includes tee)			(2) 1/2	(2) 1/2	(2) 1/2
Shipping weight - lbs.			67	108	108
ELECTRICAL DATA					
		Voltage	120 volts - 60 hertz - 1 phase		
		Blower HP (PSC type)	1/10	1/10	1/4
		Fan Watts - high speed @ 0.3 in. w.g.	96	173	333
		Fan Watts - low speed @ 0.3 in. w.g.	64	64	150
		Amp Rating	1.4	1.5	2.9

NOTE - Effectiveness is based on temperature difference between the 2 airstreams. Efficiency includes parasitic losses from fan operation.

¹ Canada only.

NOTE - Due to Lennox' ongoing commitment to quality, Specifications, Ratings and Dimensions subject to change without notice and without incurring liability.

Improper installation, adjustment, alteration, service or maintenance can cause property damage or personal injury.

Installation and service must be performed by a qualified installer and servicing agency.

SPECIFICATIONS

Model No.		ERV3-150	ERV3-200	
Number of Cores		Single	Single	
Performance	Sensible effectiveness @ 32°F	81% (64 cfm)	76% (117 cfm)	
	Sensible efficiency (thermal) @ 32°F	69% (64 cfm)	69% (117 cfm)	
	Latent efficiency (moisture) 95°F	37% (64 cfm)	41% (117 cfm)	
	Total efficiency 95°F	47% (64 cfm)	50% (117 cfm)	
Blower	Air Flow (cfm) vs. Static Pressure (high speed)	0.1 in. w.g.	151	180
		0.2 in. w.g.	140	169
		0.3 in. w.g.	131	157
		0.4 in. w.g.	123	146
		0.5 in. w.g.	107	132
		0.6 in. w.g.	98	118
		0.7 in. w.g.	81	101
		0.8 in. w.g.	60	82
Number of Speeds Available (with furnished control)		1	1	
Number of Speeds Available (with optional control)		5	5	
Door Port Balancing		No	No	
Balancing Damper in Intake and Exhaust Collar		Yes	Yes	
Duct Ports	Connections (No.) & diameter - inch	(2) 6 outside, (2) 6 inside	(2) 6 outside, (2) 6 inside	
Shipping weight - lbs. (kg)		70 (32)	70 (32)	

ELECTRICAL DATA

	Voltage	120 volts - 60 hertz - 1 phase	
	Blower HP (PSC type)	1/20	1/10
	Fan Watts - high speed @ 0.3 in. w.g.	173	182
	Fan Watts - low speed @ 0.3 in. w.g.	63	70
	Amp Rating	1.4	1.4

NOTE - Effectiveness is based on temperature difference between the 2 airstreams.
Efficiency includes parasitic losses from fan operation.

Certain models have earned the ENERGY STAR® mark by meeting strict energy efficiency guidelines set by Natural Resources Canada and the US EPA. These models meet ENERGY STAR requirements only when used in Canada.



NOTE - Due to Lennox' ongoing commitment to quality, Specifications, Ratings and Dimensions subject to change without notice and without incurring liability. Improper installation, adjustment, alteration, service or maintenance can cause property damage or personal injury. Installation and service must be performed by a qualified installer and servicing agency.

OPTIONAL ACCESSORIES - ORDER SEPARATELY

	Model No.	HRV3-095	HRV3-150-TPD/TPF	HRV5-150	HRV5-200-TPD	HRV3-195	HRV3-300	ERV3-150	ERV3-200
Air Balancing Tools									
	Door Port Gauge Tube Set	N/A	Y2207	Y2207	Y2207	N/A	N/A	N/A	N/A
	Digital Handheld Manometer	Y6484	Y6484	Y6484	Y6484	Y6484	Y6484	Y6484	Y6484
	Pitot Tube with Air Balancing Kit	56N82	56N82	56N82	56N82	56N82	56N82	56N82	56N82
	Pitot Tube Only	72X52	72X52	72X52	72X52	72X52	72X52	72X52	72X52
Backdraft Damper									
	5 in. diameter	Y3728	Y3728	---	---	---	---	---	---
	6 in. diameter	---	---	Y3727	Y3727	Y3727	Y3727	Y3727	Y3727
Butterfly Damper									
	6 inch diameter	91X09	Furnished	Furnished	Furnished	---	---	Furnished	Furnished
	7 inch diameter	---	---	---	---	Field Provided	Field Provided	---	---
Controls									
	Five Speed PGM Controller	Y2172	Y2172	Y2172	Y2172	Y2172	Y2172	Y2172	Y2172
	Two Speed, Four Mode Digital Control	Y2171	Y2171	Y2171	Y2171	Y2171	Y2171	Y2171	Y2171
	20/40/60 Minute Fan Timer	Y2169	Y2169	Y2169	Y2169	Y2169	Y2169	Y2169	Y2169
	20 Minute Fan Timer	Y2168	Y2168	Y2168	Y2168	Y2168	Y2168	Y2168	Y2168
¹ Dual Hood									
		Y3813	Y3813	Y3813	Y3813	Y3813	N/A	Y3813	Y3813
Duct Heaters									
	6 in. diameter (1 kW)	97E73	97E73	97E73	97E73	97E73	97E73	97E73	97E73
	6 in. diameter (2 kW)	20N16	20N16	20N16	20N16	20N16	20N16	20N16	20N16
	7 in. diameter (2 kW)	97E74	97E74	97E74	97E74	97E74	97E74	97E74	97E74
	Voltage/Phase (60 Hz)	120/1	120/1	120/1	120/1	120/1	120/1	120/1	120/1
	Amps - 1 kW Heater	8.3	8.3	8.3	8.3	8.3	8.3	8.3	8.3
	Amps - 2 kW Heaters	16.7	16.7	16.7	16.7	16.7	16.7	16.7	16.7
² Flexible Ducts - No. & dia. - in.									
		(2) 5	(2) 5	(2) 6	(2) 6	(2) 6	(2) 6	(2) 6	(2) 6
Hinged Kitchen Exhaust Grille									
		18N48	18N48	18N48	18N48	18N48	18N48	18N48	18N48
Round Diffusers									
	4 in. diameter	92E54	92E54	92E54	92E54	92E54	92E54	92E54	92E54
	5 in. diameter	92E55	92E55	92E55	92E55	92E55	92E55	92E55	92E55
	6 in. diameter	92E56	92E56	92E56	92E56	92E56	92E56	92E56	92E56
	8 in. diameter	56N81	56N81	56N81	56N81	56N81	56N81	56N81	56N81
³ Weatherhood Kit (2 per kit)									
	5 in. diameter	92E66	92E66	92E66	92E66	92E66	92E66	92E66	92E66
	6 in. diameter	95P07	95P07	95P07	95P07	95P07	95P07	95P07	95P07
	7 in. diameter	17N11	17N11	17N11	17N11	17N11	17N11	17N11	17N11

¹ See Pressure Drop Charts below for application.

² Contact your Territory Manager for additional information.

³ Two Required, one for fresh air intake, one for stale air exhaust.



PRODUCT CATALOG

INDOOR AIR QUALITY HCWHD HEALTHY CLIMATE®

Whole-Home Dehumidifier
Nominal Capacity - 70 to 130 pints per day

Page 21

January 2016

Supersedes June 2015

FEATURES

Designed to control humidity throughout the home or in specific locations such as an attic or basement. Also used for air cycling and ventilation control.

Filter

Includes washable, MERV 8 (Minimum Efficiency Reporting Value) filter.

Compressor

R-410A, rotary-type compressor.

Blower

Blower assembly is a UL approved impeller type with backward curved centrifugal fan equipped with maintenance free ball bearings. Operates during both ventilation and dehumidification modes.

Cabinet

Constructed of 22 gauge, pre-painted steel. Interior is lined with 1/2 in., foil-faced, expanded polystyrene to eliminate noise, condensation and air loss. The supply outlet is equipped with a built-in backflow damper. Duct start collars are included.

Digital Onboard Control

Factory installed control handles operation of unit.



REQUIRED COMPONENTS

- Drain Pan

ACCESSORIES

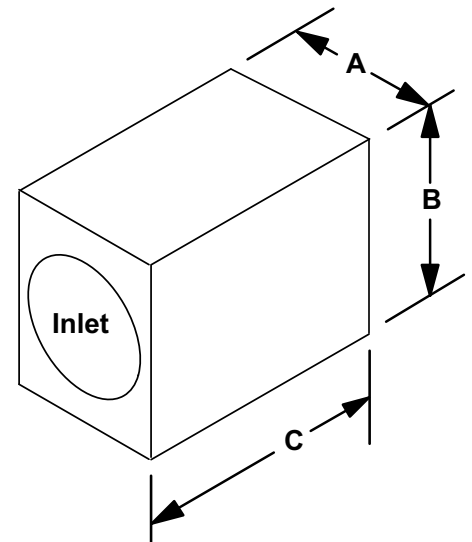
- Whole-Home Dehumidistat
- Basement Kit
- Ventilation and Zone Dampers
- Outdoor Air Temperature Sensor
- Transformer

LIMITED WARRANTY

All covered components – Limited five year warranty in residential applications, one year in non-residential applications.

Refer to Lennox Equipment Limited Warranty certificate included with equipment for details.

DIMENSIONS



	A	B	C
HCWHD3-070	12-1/2 (318)	15-1/8 (384)	25 (635)
HCWHD3-095	12-1/2 (318)	15-1/8 (384)	27-1/2 (699)
HCWHD3-130	19-1/2 (495)	18-3/4 (476)	30 (762)

NOTE – Due to Lennox' ongoing commitment to quality, Specifications, Ratings and Dimensions subject to change without notice and without incurring liability. Improper installation, adjustment, alteration, service or maintenance can cause property damage or personal injury. Installation and service must be performed by a qualified installer and servicing agency.

SPECIFICATIONS			
Model No.	HCWHD3-070	HCWHD3-095	HCWHD3-130
Energy Star Qualified	Yes	No	Yes
Capacity	¹ 70 pints per day	² 95 pints per day	³ 130 pints per day
Energy Factor	¹ 2.0 L/kW-h	² 2.2 L/kW-h	³ 2.9L/kW-h
Capacity in Non-Rating Conditions	70°F / 60% RH = 55 ppd 60°F / 60% RH = 40 ppd @ 155 cfm	70°F / 60% RH = 74 ppd 60°F / 60% RH = 52 ppd @ 245 cfm	70°F / 60% RH = 99 ppd 60°F / 60% RH = 72 ppd @310 cfm
Discharge Air Temperature Rise (°F)	10 - 30	10 - 30	10 - 30
Refrigerant	R-410A	R-410A	R-410A
Sound Level (dBA)	Ducted/Unducted		
	47/51	54/58	50/54
Connections - in.	Drain diameter (PVC)		
	⁴ 3/4	⁴ 3/4	⁴ 3/4
	Duct diameter		
	10	10	10
Operating Conditions (temperature, RH)	Inlet Air		
	50°F - 104°F, 40°F dewpoint minimum	50 - 104°F, 40° dewpoint minimum	50 - 104°F, 40°F dewpoint minimum
	Installation (ambient)		
	40°F - 140°F, 0 - 99% (non-condensing)	40 - 140°F, 0 - 99% RH (non-condensing)	40 - 140°F, 0-99% RH (non-condensing)
Blower Data	Air Flow		
	(external static pressure - dry coil)		
	155 cfm @ 0.0 in. w.c.	245 cfm @ 0.0 in. w.c.	310 cfm @ 0.0 in. w.c.
	115 cfm @ 0.2 in. w.c.	215 cfm @ 0.2 in. w.c.	270 cfm @ 0.2 in. w.c.
	70 cfm @ ⁵ 0.4 in. w.c.	185 cfm @ 0.4 in. w.c.	225 cfm @ 0.4 in. w.c.
	---	150 cfm @ ⁵ 0.6 in. w.c.	175 cfm @ 0.6 in. w.c.
	---	---	160 cfm @ ⁵ 0.7 in. w.c.
Filter	Type (washable) - Size - in.		
	MERV 8, 10 x 12 x 1	MERV 8, 10 x 12 x 1	MERV 8, 14 x 19 x 1
Electrical	General		
	120V - 60 Hz - 1 ph	120V - 60 Hz - 1 ph	120 V - 60 Hz - 1 ph
	Power Supply		
	15 Amps	15 Amps	15 Amps
	Rated Amperage		
	¹ 6.3 Amps	² 8 Amps	³ 8.3 Amps
	Connection	8 ft., 3-prong power cord	
Shipping Weight - lbs.	76	79	122
REQUIRED COMPONENTS			
Drain Pan - 36 x 36 in. (required for attic installations)	25P64	25P64	25P64
OPTIONAL ACCESSORIES			
Basement Kit - includes 2-10 in. NO dampers, 2-10 in. NC dampers, one 24V, 40VA transformer.	Y6451	Y6451	Y6451
Dampers			
Ventilation - 6 in. Normally Closed (NC)	X4152	X4152	X4152
Ventilation - 10 in Normally Closed (NC)	Y6483	Y6483	Y6483
Zone - 10 in. Normally Open (NO)	X4211	X4211	X4211
Damper			
Damper Transformer 24V, 40VA	22N03	22N03	22N03
Transformers			
(hardwired, operates 1 damper only)			
Damper Transformer 24V, 40VA	Y7128	Y7128	Y7128
(plug in, operates up to 4 dampers)			
OPTIONAL CONTROLS			
iComfort® S30 Thermostat	12U67	12U67	12U67
iComfort Wi-Fi® Thermostat	10F81	10F81	10F81
Equipment Interface Module (EIM)	99W23	99W23	99W23
NO Dual-Fuel capable non-comm. heat pumps			
Equipment Interface Module (EIM)	10T50	10T50	10T50
Dual-Fuel capable non-comm. heat pumps			
⁶ Universal Bundle (EIM + iComfort Wi-Fi)	99W24	99W24	99W24
Outdoor Air Temperature Sensor	X2658	X2658	X2658
Discharge Air Temperature Sensor	88K38	88K38	88K38
ComfortSense® 7500 Thermostat	13H14	13H14	13H14
Whole-Home Dehumidistat	Y6456	Y6456	Y6456
⁷ Outdoor Air Temperature Sensor	58N66	58N66	58N66

¹ Rated capacity, Energy Factor test and current draw measured in accordance with AHAM DH-1 2008 at 80°F/60% RH inlet air at 155 cfm.

² Rated capacity, Energy Factor test and current draw measured in accordance with AHAM DH-1 2008 at 80°F/60% RH inlet air at 245 cfm.

³ Rated capacity, Energy Factor test and current draw measured in accordance with AHAM DH-1 2008 at 80°F/60% RH inlet air at 310 cfm.

⁴ Adaptor for threaded connection or plastic hose is furnished.

⁵ Maximum design external static.

⁶ Universal Bundle is not for dual-fuel operation with a non-communicating heat pump outdoor unit.

⁷ Required for Automatic Ventilation Modes. Connects directly to dehumidifier.

NOTE - Due to Lennox' ongoing commitment to quality, Specifications, Ratings and Dimensions subject to change without notice and without incurring liability.

Improper installation, adjustment, alteration, service or maintenance can cause property damage or personal injury.

Installation and service must be performed by a qualified installer and servicing agency.



FEATURES

OVERVIEW

The EDA unit is installed in an HVAC system downstream from the indoor coil or air handler. In dehumidification mode, the coil becomes an extension of the outdoor coil and rejects heat into the indoor air stream. This dehumidification mode allows significantly improved control of the humidity in the conditioned space without overcooling the space. The EDA unit includes a set of three-way diverter valves which route refrigerant through the EDA coil (Dehumidification ON), or which cause the refrigerant to bypass the EDA coil (Dehumidification OFF).

APPLICATIONS

The Humiditrol® Whole Home Dehumidification System is designed for use with Lennox R-410A outdoor units that are matched with either a furnace or air handler equipped with a variable speed blower motor. See EDA Match-up tables for specific matches available. Designed for R-410A expansion valve systems only. For indoor installations in either upflow or horizontal applications only. Height, space and air flow restrictions or the unit's stability in a stacked configuration will limit the use of downflow applications. Refer to Installation Instructions supplement Installing Humiditrol® EDA Unit in Downflow Configuration for more details.

Zoning Applications

The EDA Humiditrol Whole-Home Dehumidification System can be used with the Harmony III™ Zoning System.

A separate Humiditrol® Zoning Accessory must be used for proper operation. See Zoning section for additional information.



COMPONENTS

Dehumidification Coil

Durable copper tubing.
Ripple-edged aluminum fins.
Lanced fins provide maximum exposure of fin surface to air stream.
Rifled tubing provides superior refrigerant heat transfer.
Twin coil construction assembled in an "A" configuration for large surface area (036C and 060D models).
Single slab coil construction (024B model).
Sweat connections.
High pressure testing insures leakproof construction.

Combination Check/Flow Limiting Piston

Furnished with unit for field installation on the EDA unit.
Prevents refrigerant from flowing into the inactive components when the EDA coil is inactive.

Dual Refrigerant Diverter Valves

Heavy duty valves control refrigerant flow depending on mode.

3-Way Diverter Valve Actuator

Controls operation of refrigerant valves during EDA operation.
24VAC.

Three position actuator shaft for maintenance - Cooling, Evacuate or Bypass.

Outdoor Fan Relay and Wiring Harness

Required when EDA is used with outdoor units with multi-speed outdoor fans.

CONTROLS

- ComfortSense® 7500 Thermostat 2 Heat/2 Cool, Universal
- iComfort® S30 Thermostat

REQUIRED COMPONENTS

Insulation and Piping Kit

Kit includes all necessary piping, fittings and insulation required for EDA installation.

NOTE - Some model match-ups require a charge compensator to maintain the proper amount of refrigerant circulating in the system. The compensator stores excess refrigerant when the EDA coil is active and returns it to the system during normal cooling or heating operations. When the EDA coil is active, less charge is required to obtain the proper amount of subcooling because of the additional coil surface and the cooler air which passes over the EDA.

Charge compensator and related piping and insulation is furnished with certain Insulation and Piping Kits depending on the system match-up.

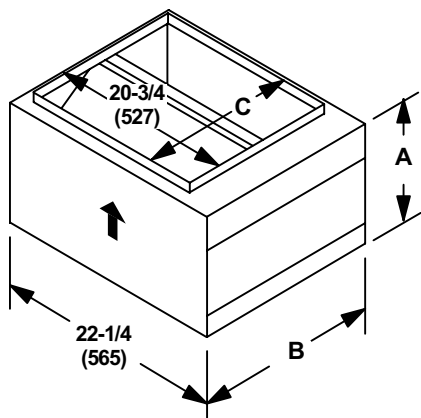
Transformer

75VA, 24VAC indoor unit transformer is required when EDA unit is installed with a two-stage heat pump system.

LIMITED WARRANTY

Five years limited warranty in residential applications. Refer to Lennox Equipment Limited Warranty certificate included with equipment for details.

NOTE - Due to Lennox' ongoing commitment to quality, Specifications, Ratings and Dimensions subject to change without notice and without incurring liability. Improper installation, adjustment, alteration, service or maintenance can cause property damage or personal injury. Installation and service must be performed by a qualified installer and servicing agency.



DIMENSIONS

Model Number	A		B		C		Inlet Air Opening			
							Width		Depth	
	inch	mm	inch	mm	inch	mm	inch	mm	inch	mm
EDA-024B	12-1/4	311	17-1/2	445	16-1/8	422	16-1/8	422	20-1/8	511
EDA-036C	12-1/4	311	21	533	19-5/8	498	19-5/8	498	20-1/8	511
EDA-060D	14	356	24-1/2	622	23-1/8	597	21-1/8	597	20-1/8	511

SPECIFICATIONS

General Data		Model No.	EDA-024B	EDA-036C	EDA-060D
Line Connections (sweat)	Liquid to Indoor TXV o.d. - in.		3/8	3/8	3/8
	Liquid from Outdoor Unit o.d. - in.		3/8	3/8	3/8
	Check/Flow Restrictor to Vapor Line Tee o.d. - in.		3/8	3/8	3/8
	Charge Compensator o.d. - in.		1/4	1/4	1/4
EDA Coil	Net face area - sq. ft.		2.0	3.0	4.0
	Tube diameter - in.		3/8	3/8	3/8
	Fins per inch		20	20	14
	Number of rows		1	1	1
Shipping Data	lbs. - 1 package		35	39	47

CONTROLS - ORDER SEPARATELY

		Model No.	EDA-024B	EDA-036C	EDA-060D
iComfort® S30 Thermostat			12U67	12U67	12U67
¹ Remote Outdoor Temperature Sensor (for dual fuel, Humiditrol® and outdoor temperature display)			X2658	X2658	X2658
² Discharge Temperature Sensor			88K38	88K38	88K38
ComfortSense® 7500 Thermostat (4 heat / 2 cool, universal)			13H14	13H14	13H14
³ Remote Outdoor Temperature Sensor (required for Humiditrol)			X2658	X2658	X2658
Relay Kit (for CBX27UH air handlers)			26W62	26W62	26W62

¹ Remote Outdoor Sensor may be used with an iComfort®-enabled outdoor unit for a secondary (alternate) sensor reading. Sensor may also be used with a conventional outdoor unit.

² Optional for service diagnostics.

³ Remote Outdoor Temperature Sensor for ComfortSense 7500 Thermostat must be connected directly to the thermostat.

REQUIRED COMPONENTS - ORDER SEPARATELY

		Model No.	EDA-024B	EDA-036C	EDA-060D
ELECTRICAL					
⁴ Transformer			12P61 - 75VA, 120/208/240V primary, 24VAC secondary		
REFRIGERATION					
Insulation and Piping Kits			See EDA Match-Up tables for usage		

⁴ Required when EDA unit is installed with two-stage heat pump system.

EDA MATCH-UPS - AIR CONDITIONERS

Outdoor Unit Model No.	EDA Model No.	Sensible to Total Ratio	Liters per kWh	Liters per Day	EDA Insulation and Piping Kit Catalog No.
13ACXN018	EDA-024B	0.30	3.2	88	98M62
13ACXN024	EDA-024B	0.31	3.1	112	98M62
13ACXN030	EDA-036C	0.31	3.1	140	98M62
13ACXN036	EDA-036C	0.33	3.5	189	98M62
13ACXN042	EDA-060D	0.38	3.4	216	98M62
13ACXN048	EDA-060D	0.39	3.4	253	98M62
13ACXN060	EDA-060D	0.39	3.4	317	98M62
14ACX-018	EDA-024B	0.25	3.6	100	98M62
14ACX-024	EDA-024B	0.30	3.6	126	98M62
14ACX-030	EDA-036C	0.32	3.3	142	98M62
14ACX-036	EDA-036C	0.36	3.5	173	98M62
14ACX-042	EDA-060D	0.41	3.3	203	98M62
14ACX-048	EDA-060D	0.40	3.3	260	98M62
14ACX-060	EDA-060D	0.39	3.5	308	98M22
SSB036H4A	EDA-036C	0.39	3.4	192	98M62
SSB048H4A	EDA-060D	0.43	3.2	234	98M62
SSB060H4A	EDA-060D	0.45	3.2	298	98M22
TSA036H4	EDA-036C	0.36	3.5	173	98M62
TSA042H4	EDA-060D	0.41	3.3	203	98M62
TSA048H4	EDA-060D	0.40	3.3	260	98M62
TSA060H4	EDA-060D	0.39	3.5	308	98M22
TSA036S4	EDA-036C	0.33	3.5	189	98M62
TSA042S4	EDA-060D	0.38	3.4	216	98M62
TSA048S4	EDA-060D	0.39	3.4	253	98M62
TSA060S4	EDA-060D	0.39	3.4	317	98M62

SYSTEM MATCHES:

Must be one of the furnace or air handler models listed in the decision tree (See page 11) and must be a valid AHRI rated match (refer to outdoor unit Product Specifications Bulletin).

Upflow and Horizontal Coil + Furnace Transitions

Field fabricated transition from coil to EDA is required when coil or furnace width is different from EDA unit matched with the outdoor unit.

Air Handler Transitions

Transition is required with all air handler matches.

ADDITIONAL NOTES:

- The system is not equivalent to a dehumidifier and will not normally run continuously for 24 hours.
- Approximate, based on 80°F Indoor Dry Bulb, 69.6°F Indoor Wet Bulb and 82°F Outdoor Air Temperature.
- Actual will vary within ± 0.03 depending on final installation variables.
- Typical unit S/T at this condition Without EDA is approximately 0.53 - 0.60.
- Liters per kWh and liters per day are approximate instantaneous values at the specified condition.

EDA MATCH-UPS - AIR CONDITIONERS

Outdoor Unit Model No.	EDA Model No.	Sensible to Total Ratio	Liters per kWh	Liters per Day	EDA Insulation and Piping Kit Catalog No.
XC13N018	EDA-024B	0.30	3.2	88	98M62
XC13N024	EDA-024B	0.31	3.1	112	98M62
XC13N030	EDA-036C	0.31	3.1	140	98M62
XC13N036	EDA-036C	0.35	3.1	171	98M62
XC13N042	EDA-060D	0.42	3.0	186	98M62
XC13N048	EDA-060D	0.45	2.8	215	98M62
XC13N060	EDA-060D	0.45	2.9	263	98M62
XC14-018	EDA-024B	0.25	3.6	100	98M62
XC14-024	EDA-024B	0.30	3.6	126	98M62
XC14-030	EDA-036C	0.32	3.3	142	98M62
XC14-036	EDA-036C	0.36	3.5	173	98M62
XC14-042	EDA-060D	0.41	3.3	203	98M62
XC14-048	EDA-060D	0.40	3.3	260	98M62
XC14-060	EDA-060D	0.39	3.5	308	98M22
XC16-024	EDA-024B	0.32	3.5	129	98M62
XC16-036	EDA-036C	0.39	3.4	192	98M62
XC16-048	EDA-060D	0.43	3.2	234	98M62
XC16-060	EDA-060D	0.45	3.2	298	98M22
XC17-024	EDA-024B	0.33	4.0	138	98M62
XC17-036	EDA-036C	0.32	3.8	195	98M62
XC17-042	EDA-060D	0.35	3.5	217	98M62
XC17-048	EDA-060D	0.44	3.4	246	98M62
XC17-060	EDA-060D	0.43	3.5	315	98M22
XC21-024	EDA-024B	0.28	3.2	123	94M44
XC21-036	EDA-036C	0.26	3.0	170	94M44
XC21-048	EDA-060D	0.30	2.9	226	94M44
XC21-060	EDA-060D	0.24	2.7	273	94M44

SYSTEM MATCHES:

Must be one of the furnace or air handler models listed in the decision tree (See page 11) and must be a valid AHRI rated match (refer to outdoor unit Product Specifications Bulletin).

Upflow and Horizontal Coil + Furnace Transitions

Field fabricated transition from coil to EDA is required when coil or furnace width is different from EDA unit matched with the outdoor unit.

Air Handler Transitions

Transition is required with all air handler matches.

ADDITIONAL NOTES:

- The system is not equivalent to a dehumidifier and will not normally run continuously for 24 hours.
- Approximate, based on 80°F Indoor Dry Bulb, 69.6°F Indoor Wet Bulb and 82°F Outdoor Air Temperature.
- Actual will vary within ± 0.03 depending on final installation variables.
- Typical unit S/T at this condition Without EDA is approximately 0.53 - 0.60.
- Liters per kWh and liters per day are approximate instantaneous values at the specified condition.

CBX27UH/CBX40UHV AIR HANDLER ADJUSTMENTS - AIR CONDITIONERS**13ACX**

13ACXN018 + CBX27UH-018 - Rating Adjustment: S/T +0.06, liters per day -1.4

13ACXN024 + CBX27UH-024 - Rating Adjustment: S/T +0.03, liters per day -1.0

13ACXN030 + CBX27UH-030 - Rating Adjustment: S/T +0.07, liters per day -2.0, liters per kWh -0.1

13ACXN036 + CBX27UH-036 - Rating Adjustment: S/T +0.04, liter per day -2.0

13ACXN036 + CBX27UH-042 or CBX40UHV-042 - Rating Adjustment: S/T +0.02

13ACXN042 + CBX27UH-042 or CBX40UHV-042 - Rating Adjustment: S/T +0.02

13ACXN042 + CBX27UH-048 - Rating Adjustment: S/T +0.03

13ACXN048 + CBX27UH-048 - Rating Adjustment: S/T +0.03

13ACXN048 + CBX27UH-060 - Rating Adjustment: S/T +0.02, liter per day -2.0, liters per kWh -0.1

13ACXN060 + CBX27UH-060 - Rating Adjustment: S/T +0.02, liter per day -2.0, liters per kWh -0.1

14ACX

14ACX-018 + CBX27UH-018 - Rating Adjustment: S/T +0.06, liters per day -1.4

14ACX-024 + CBX27UH-024 - Rating Adjustment: S/T +0.03, liters per day -1.0

14ACX-030 + CBX27UH-030 - Rating Adjustment: S/T +0.07, liters per day -2.0, liters per kWh -0.1

14ACX-036 + CBX27UH-036 - Rating Adjustment: S/T +0.04, liters per day -2.0

14ACX-042 + CBX27UH-042 or CBX40UHV-042 - Rating Adjustment: S/T +0.02

14ACX-048 + CBX27UH-048 - Rating Adjustment: S/T +0.03

14ACX-060 + CBX27UH-060 - Rating Adjustment: S/T +0.02, liters per day -2.0, liters per kWh -0.1

SSB

SSB036H4 + CBX27UH-036 - Rating Adjustment: S/T +0.04, liters per day -2.0

SSB048H4 + CBX27UH-048 - Rating Adjustment: S/T +0.03

SSB060H4 + CBX27UH-060 - Rating Adjustment: S/T +0.02, liters per day -2.0, liters per kWh -0.1

TSA*H4

TSA036H4 + CBX27UH-036 - Rating Adjustment: S/T +0.04, liters per day -2.0

TSA042H4 + CBX27UH-042 or CBX40UHV-042 - Rating Adjustment: S/T +0.02

TSA048H4 + CBX27UH-048 - Rating Adjustment: S/T +0.03

TSA060H4 + CBX27UH-060 - Rating Adjustment: S/T +0.02, liters per day -2.0, liters per kWh -0.1

TSA*S4

TSA036S4 + CBX27UH-036 - Rating Adjustment: S/T +0.04, liter per day -2.0

TSA036S4 + CBX27UH-042 or CBX40UHV-042 - Rating Adjustment: S/T +0.02

TSA042S4 + CBX27UH-042 or CBX40UHV-042 - Rating Adjustment: S/T +0.02

TSA042S4 + CBX27UH-048 - Rating Adjustment: S/T +0.03

TSA048S4 + CBX27UH-048 - Rating Adjustment: S/T +0.03

TSA048S4 + CBX27UH-060 - Rating Adjustment: S/T +0.02, liter per day -2.0, liters per kWh -0.1

TSA060S4 + CBX27UH-060 - Rating Adjustment: S/T +0.02, liter per day -2.0, liters per kWh -0.1

CBX27UH/CBX40UHV AIR HANDLER ADJUSTMENTS - AIR CONDITIONERS

XC13
XC13N018 + CBX27UH-018 - Rating Adjustment: S/T +0.06, liters per day -1.4
XC13N024 + CBX27UH-024 - Rating Adjustment: S/T +0.03, liters per day -1.0
XC13N030 + CBX27UH-030 - Rating Adjustment: S/T +0.07, liters per day -2.0, liters per kWh -0.1
XC13N036 + CBX27UH-036 - Rating Adjustment: S/T +0.04, liters per day -2.0
XC13N042 + CBX27UH-042 or CBX40UHV-042 - Rating Adjustment: S/T +0.02
XC13N048 + CBX27UH-048 - Rating Adjustment: S/T +0.03
XC13N060 + CBX27UH-060 - Rating Adjustment: S/T +0.02, liters per day -2.0, liters per kWh -0.1
XC14
XC14-018 + CBX27UH-018 - Rating Adjustment: S/T +0.06, liters per day -1.4
XC14-024 + CBX27UH-024 - Rating Adjustment: S/T +0.03, liters per day -1.0
XC14-030 + CBX27UH-030 - Rating Adjustment: S/T +0.07, liters per day -2.0, liters per kWh -0.1
XC14-036 + CBX27UH-036 - Rating Adjustment: S/T +0.04, liters per day -2.0
XC14-042 + CBX27UH-042 or CBX40UHV-042 - Rating Adjustment: S/T +0.02
XC14-048 + CBX27UH-048 - Rating Adjustment: S/T +0.03
XC14-060 + CBX27UH-060 - Rating Adjustment: S/T +0.02, liters per day -2.0, liters per kWh -0.1
XC16
XC16-024 + CBX27UH-024 - Rating Adjustment: S/T +0.03, liters per day -1.0
XC16-036 + CBX27UH-036 - Rating Adjustment: S/T +0.04, liters per day -2.0
XC16-048 + CBX27UH-048 - Rating Adjustment: S/T +0.03.
XC16-060 + CBX27UH-060 - Rating Adjustment: S/T +0.02, liters per day -2.0, liters per kWh -0.1
XC17
XC17-024 + CBX27UH-030 - Rating Adjustment: S/T +0.07, liters per day -2.0, liters per kWh -0.1
XC17-036 + CBX27UH-036 - Rating Adjustment: S/T +0.04, liters per day -2.0
XC17-042 + CBX27UH-042 - Rating Adjustment: S/T +0.02
XC17-048 + CBX27UH-048 - Rating Adjustment: S/T +0.03
XC17-060 + CBX27UH-060 - Rating Adjustment: S/T +0.02, liters per day -2.0, liters per kWh -0.1
XC21
XC21-024 + CBX27UH-024 - Rating Adjustment: S/T +0.03, liters per day -1.0
XC21-036 + CBX27UH-036 - Rating Adjustment: S/T +0.04, liters per day -2.0
XC21-048 + CBX27UH-048 - Rating Adjustment: S/T +0.03
XC21-060 + CBX27UH-060 - Rating Adjustment: S/T +0.02, liters per day -2, liters per kWh -0.1

EDA MATCH-UPS - HEAT PUMPS

Outdoor Unit Model No.	EDA Model No.	Sensible to Total Ratio	Liters per kWh	Liters per Day	EDA Insulation and Piping Kit Catalog No.
14HPX-018	EDA-024B	0.26	3.5	96	94M44
14HPX-024	EDA-024B	0.36	3.6	130	98M22
14HPX-030	EDA-036C	0.34	3.3	145	98M22
14HPX-036	EDA-036C	0.41	3.3	165	94M44
14HPX-042	EDA-060D	0.39	3.5	218	94M44
14HPX-048	EDA-060D	0.44	3.5	250	98M22
14HPX-060	EDA-060D	0.40	3.5	304	94M44
SPB036H4A	EDA-036C	0.34	2.7	127	94M44
SPB048H4A	EDA-060D	0.46	3.2	244	98M22
SPB060H4A	EDA-060D	0.43	3.1	299	98M22
TPA036H4	EDA-036C	0.41	3.3	165	94M44
TPA042H4	EDA-060D	0.39	3.5	218	94M44
TPA048H4	EDA-060D	0.44	3.5	250	98M22
TPA060H4	EDA-060D	0.40	3.5	304	94M44
TPA036S4	EDA-036C	0.33	3.3	176	94M44
TPA042S4	EDA-060D	0.39	3.2	211	94M44
TPA048S4	EDA-060D	0.41	2.9	230	94M44
TPA060S4	EDA-060D	0.39	3.3	316	98M22
XP14-018	EDA-024B	0.26	3.5	96	94M44
XP14-024	EDA-024B	0.36	3.6	130	98M22
XP14-030	EDA-036C	0.34	3.3	145	98M22
XP14-036	EDA-036C	0.41	3.3	165	94M44
XP14-042	EDA-060D	0.39	3.5	218	94M44
XP14-048	EDA-060D	0.44	3.5	250	98M22
XP14-060	EDA-060D	0.40	3.5	304	94M44
XP16-024	EDA-024B	0.33	3.2	125	94M44
XP16-036	EDA-036C	0.34	2.7	127	94M44
XP16-048	EDA-060D	0.46	3.2	244	98M22

SYSTEM MATCHES:

Must be one of the furnace or air handler models listed in the decision tree (See page 11) and must be a valid AHRI rated match (refer to outdoor unit Product Specifications Bulletin).

Upflow and Horizontal Coil + Furnace Transitions

Field fabricated transition from coil to EDA is required when coil or furnace width is different from EDA unit matched with the outdoor unit.

Air Handler Transitions

Transition is required with all air handler matches.

ADDITIONAL NOTES:

- The system is not equivalent to a dehumidifier and will not normally run continuously for 24 hours.
- Approximate, based on 80°F Indoor Dry Bulb, 69.6°F Indoor Wet Bulb and 82°F Outdoor Air Temperature.
- Actual will vary within ± 0.03 depending on final installation variables.
- Typical unit S/T at this condition Without EDA is approximately 0.53 - 0.60.
- Liters per kWh and liters per day are approximate instantaneous values at the specified condition.

NOTE – Due to Lennox' ongoing commitment to quality, Specifications, Ratings and Dimensions subject to change without notice and without incurring liability. Improper installation, adjustment, alteration, service or maintenance can cause property damage or personal injury. Installation and service must be performed by a qualified installer and servicing agency.

EDA MATCH-UPS - HEAT PUMPS

Outdoor Unit Model No.	EDA Model No.	Sensible to Total Ratio	Liters per kWh	Liters per Day	EDA Insulation and Piping Kit Catalog No.
XP16-060	EDA-060D	0.43	3.1	299	98M22
XP17-024	EDA-024B	0.32	3.7	128	94M44
XP17-036	EDA-036C	0.38	3.7	196	98M22
XP17-042	EDA-060D	0.38	3.5	228	98M22
XP17-048	EDA-060D	0.41	3.6	260	98M22
XP17-060	EDA-060D	0.41	3.2	270	94M44
XP21-024	EDA-024B	0.26	2.8	120	94M44
XP21-036	EDA-036C	-0.13	2.5	162	94M44
XP21-048	EDA-060D	0.22	2.9	229	94M44
XP21-060	EDA-060D	0.19	2.5	274	94M44

SYSTEM MATCHES:

Must be one of the furnace or air handler models listed in the decision tree (See page 11) and must be a valid AHRI rated match (refer to outdoor unit Product Specifications Bulletin).

Upflow and Horizontal Coil + Furnace Transitions

Field fabricated transition from coil to EDA is required when coil or furnace width is different from EDA unit matched with the outdoor unit.

Air Handler Transitions

Transition is required with all air handler matches.

ADDITIONAL NOTES:

- The system is not equivalent to a dehumidifier and will not normally run continuously for 24 hours.
- Approximate, based on 80°F Indoor Dry Bulb, 69.6°F Indoor Wet Bulb and 82°F Outdoor Air Temperature.
- Actual will vary within ± 0.03 depending on final installation variables.
- Typical unit S/T at this condition Without EDA is approximately 0.53 - 0.60.
- Liters per kWh and liters per day are approximate instantaneous values at the specified condition.

CBX27UH/CBX40UHV AIR HANDLER ADJUSTMENTS - HEAT PUMPS**14HPX**

 14HPX-018 + CBX27UH-018 - Rating Adjustment: S/T +0.06, liters per day -1.4

 14HPX-024 + CBX27UH-024 - Rating Adjustment: S/T +0.03, liters per day -1.0

 14HPX-030 + CBX27UH-030 - Rating Adjustment: S/T +0.07, liters per day -2.0, liters per kWh -0.1

 14HPX-036 + CBX27UH-036 - Rating Adjustment: S/T +0.04, liters per day -2.0

 14HPX-042 + CBX27UH-042 or CBX40UHV-042 - Rating Adjustment: S/T +0.02

 14HPX-048 + CBX27UH-048 - Rating Adjustment: S/T +0.03

 14HPX-060 + CBX27UH-060 - Rating Adjustment: S/T +0.02, liters per day -2.0, liters per kWh -0.1

SPB

 SPB036H4 + CBX27UH-036 - Rating Adjustment: S/T +0.04, liters per day -2.0

 SPB048H4 + CBX27UH-048 - Rating Adjustment: S/T +0.03

 SPB060H4 + CBX27UH-060 - Rating Adjustment: S/T +0.02, liters per day -2.0, liters per kWh -0.1

TPA*H4

 TPA036H4 + CBX27UH-036 - Rating Adjustment: S/T +0.04, liters per day -2.0

 TPA042H4 + CBX27UH-042 or CBX40UHV-042 - Rating Adjustment: S/T +0.02

 TPA048H4 + CBX27UH-048 - Rating Adjustment: S/T +0.03

 TPA060H4 + CBX27UH-060 - Rating Adjustment: S/T +0.02, liters per day -2.0, liters per kWh -0.1

TPA*S4

 TPA036S4 + CBX27UH-036 - Rating Adjustment: S/T +0.04, liter per day -2.0

 TPA036S4 + CBX27UH-042 or CBX40UHV-042 - Rating Adjustment: S/T +0.02

 TPA042S4 + CBX27UH-042 or CBX40UHV-042 - Rating Adjustment: S/T +0.02

 TPA042S4 + CBX27UH-048 - Rating Adjustment: S/T +0.03

 TPA048S4 + CBX27UH-048 - Rating Adjustment: S/T +0.03

 TPA048S4 + CBX27UH-060 - Rating Adjustment: S/T +0.02, liter per day -2.0, liters per kWh -0.1

 TPA060S4 + CBX27UH-060 - Rating Adjustment: S/T +0.02, liter per day -2.0, liters per kWh -0.1

XP14

 XP14-018 + CBX27UH-018 - Rating Adjustment: S/T +0.06, liters per day -1.4

 XP14-024 + CBX27UH-024 - Rating Adjustment: S/T +0.03, liters per day -1.0

 XP14-030 + CBX27UH-030 - Rating Adjustment: S/T +0.07, liters per day -2.0, liters per kWh -0.1

 XP14-036 + CBX27UH-036 - Rating Adjustment: S/T +0.04, liters per day -2.0

 XP14-042 + CBX27UH-042 or CBX40UHV-042 - Rating Adjustment: S/T +0.02

 XP14-048 + CBX27UH-048 - Rating Adjustment: S/T +0.03

 XP14-060 + CBX27UH-060 - Rating Adjustment: S/T +0.02, liters per day -2.0, liters per kWh -0.1

CBX27UH/CBX40UHV AIR HANDLER ADJUSTMENTS - HEAT PUMPS**XP16**

XP16-024 + CBX27UH-024 - Rating Adjustment: S/T +0.03, liters per day -1.0

XP16-036 + CBX27UH-036 - Rating Adjustment: S/T +0.04, liters per day -2.0

XP16-048 + CBX27UH-048 - Rating Adjustment: S/T +0.03.

XP16-060 + CBX27UH-060 - Rating Adjustment: S/T +0.02, liters per day -2.0, liters per kWh -0.1

XP17

XP17-024 + CBX27UH-030 - Rating Adjustment: S/T +0.07, liters per day -2.0, liters per kWh -0.1

XP17-036 + CBX27UH-036 - Rating Adjustment: S/T +0.04, liters per day -2.0

XP17-042 + CBX27UH-042 - Rating Adjustment: S/T +0.02

XP17-048 + CBX27UH-048 - Rating Adjustment: S/T +0.03

XP17-060 + CBX27UH-060 - Rating Adjustment: S/T +0.02, liters per day -2.0, liters per kWh -0.1

XP21

XP21-036 + CBX27UH-036 - Rating Adjustment: S/T +0.04, liters per day -2.0

XP21-048 + CBX27UH-048 - Rating Adjustment: S/T +0.03

XP21-060 + CBX27UH-060 - Rating Adjustment: S/T +0.02, liters per day -2, liters per kWh -0.1



ZONING iHARMONY® ZONING SYSTEM

PRODUCT CATALOG

Zoning System for Residential Communicating,
Variable Air Volume Heating/Cooling Systems

Page 1
January 2016
Supersedes June 2015

FEATURES

The iHarmony® Zoning System is capable of controlling up to four separate zones.

Zone dampers are automatically controlled to supply air flow only to zones with a thermostat demand.

Individual air volumes for heating or cooling are available to each zone.

Round or rectangular dampers can be used.

Zoning system allows temperature setback in unoccupied areas while maintaining comfort in occupied areas.

Auto-changeover control from any zone thermostat or control heating/cooling mode to all zones from the iComfort® S30 zone 1 (master) thermostat.

COMPONENTS AND EQUIPMENT System Components

- iHarmony® Damper Control Module (DCM)
- iComfort® S30 Thermostat (Zone 1 master)
- In-Zone Thermostats (one per Zone, 2, 3 and 4)
- Motorized Zone Dampers
- Discharge Air Temperature Sensor (furnished)

NOTE - All components must be ordered separately.

Damper Control Module and Zone Dampers are powered by a separate stand-alone transformer.

Outdoor Units

- SL18XC1/XC17 Single Stage Air Conditioner (two zones)
- SL18XP1/XP17 Single Stage Heat Pump (two zones)
- XC21 Two-Stage Air Conditioner (up to four zones)
- XP21 Two-Stage Heat Pump (up to four zones)



So simple. So smart. So comfortable.

- XC20/C25 Variable Capacity Air Conditioner (up to four zones)
- XP20/XP25 Variable Capacity Heat Pump (up to four zones)

Variable Speed Furnaces

- EL296V Two-Stage
- SL280V Two-Stage
- SLP98 Variable Capacity

Variable Speed Air Handlers

- CBX32MV
- CBX40UH

Damper Control Module

Dimensions (H x W x D): 10-1/2 x 5 x 1-5/8 in. (267 x 127 x 41 mm)

Shipping weight: 2 lbs.

Power requirements: 24VAC (18-30VAC).

In-Zone Thermostats

Dimensions (H x W x D): 3 x 3 x 5/8 in. (76 x 76 x 16 mm)

Power requirements: 12VDC

Dual-Fuel Operation

NOTE - Only iComfort®-enabled communicating heat pump outdoor units may be used with a dual fuel system.

Dampers

Any style 24VAC damper is compatible with the iHarmony® Zoning System.

Spring-open/power-close dampers are the preferred; however, power-open/spring-close and power-open/power-close dampers can be used.

At least one damper per zone is required.

SEE SYSTEM COMPONENTS ORDERING - NEXT PAGE

LIMITED WARRANTY

iHarmony® Damper Control Module and In-Zone Thermostats - five year limited warranty.

Refer to Lennox Equipment Limited Warranty certificate included with unit for specific details.

NOTE - The iHarmony Zoning System may be used with all iComfort®-enabled indoor/outdoor units shown.

A conventional, non-communicating outdoor unit may also be used as long as the indoor unit is one of the iComfort®-enabled models shown.

NOTE - Due to Lennox' ongoing commitment to quality, Specifications, Ratings and Dimensions subject to change without notice and without incurring liability. Improper installation, adjustment, alteration, service or maintenance can cause property damage or personal injury. Installation and service must be performed by a qualified installer and servicing agency.

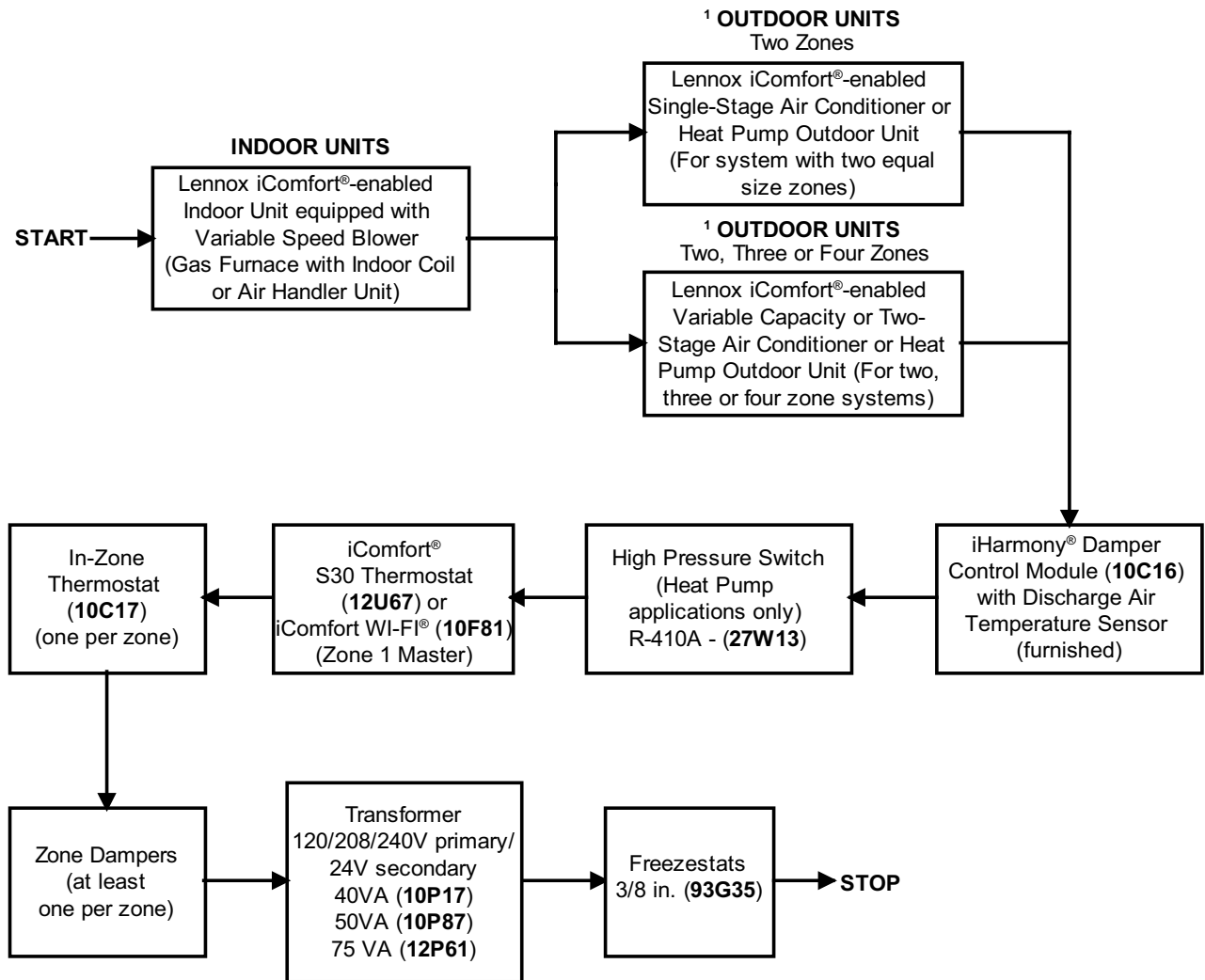
SYSTEM COMPONENTS ORDERING

Description		Catalog No.				
iComfort® S30 Thermostat (Zone1 Master)		12U67				
¹ Optional Outdoor Air Temperature Sensor		X2658				
Damper Control Module (DCM) (Discharge Air Temperature Sensor furnished)		10C16				
In-Zone Thermostat - One per zones 2, 3 and 4		10C17				
Transformers	120/208/240V primary / 24V secondary - 40VA (3 dampers)	10P17				
	120/208/240V primary / 24V secondary - 50VA (4 dampers)	10P87				
	120/208/240V primary / 24V secondary - 75VA (6 dampers)	12P61				
	4 in. square Electrical Box	83P74				
² High Pressure Switch - Heat Pump only		27W13				
Freezestats - For use with Humiditrol system		3/8 in. (Open 29°F / Close 58°F) 93G35				
Dampers Zone Control Power Close / Spring Open	Round -	6 in. Round	X4207	10 in. Round	X4211	
	Two Wire	7 in. Round	X4208	12 in. Round	X4213	
		8 in. Round	X4209	14 in. Round	X4214	
		9 in. Round	X4210	16 in. Round	X4215	
	Rectangular Bottom Mount - Two Wire		8 in. x 10 in.	X4252	10 in. x 18 in.	X4263
			8 in. x 12 in.	X4253	10 in. x 20 in.	X4264
			8 in. x 14 in.	X4254	10 in. x 22 in.	X4265
			8 in. x 16 in.	X4255	10 in. x 24 in.	X4266
			8 in. x 18 in.	X4256	12 in. x 14 in.	X4267
			8 in. x 20 in.	X4257	12 in. x 16 in.	X4268
			8 in. x 22 in.	X4258	12 in. x 18 in.	X4269
			8 in. x 24 in.	X4259	12 in. x 20 in.	X4270
			10 in. x 12 in.	X4260	12 in. x 22 in.	X4271
			10 in. x 14 in.	X4261	12 in. x 24 in.	X4272
	Rectangular Side Mount - Two Wire		10 in. x 16 in.	X4262		
			8 in. x 8 in.	X4216	20 in. x 10 in.	X4233
			10 in. x 8 in.	X4217	22 in. x 10 in.	X4234
			12 in. x 8 in.	X4218	24 in. x 10 in.	X4235
			14 in. x 8 in.	X4219	26 in. x 10 in.	X4236
			16 in. x 8 in.	X4220	30 in. x 10 in.	X4238
			18 in. x 8 in.	X4221	12 in. x 12 in.	X4239
			20 in. x 8 in.	X4222	14 in. x 12 in.	X4240
			22 in. x 8 in.	X4223	16 in. x 12 in.	X4241
			24 in. x 8 in.	X4224	18 in. x 12 in.	X4242
			26 in. x 8 in.	X4225	20 in. x 12 in.	X4243
			28 in. x 8 in.	X4226	22 in. x 12 in.	X4244
			30 in. x 8 in.	X4227	14 in. x 14 in.	X4246
		10 in. x 10 in.	X4228	16 in. x 14 in.	X4247	
		12 in. x 10 in.	X4229	18 in. x 14 in.	X4248	
		14 in. x 10 in.	X4230	20 in. x 14 in.	X4249	
		16 in. x 10 in.	X4231	22 in. x 14 in.	X4250	
	18 in. x 10 in.	X4232	24 in. x 14 in.	X4251		

¹ The Optional Outdoor Air Temperature Sensor may be used with an iComfort®-enabled outdoor unit for a secondary (alternate) sensor reading. Optional Outdoor Air Temperature Sensor may also be ordered for use with a conventional outdoor unit.

² Required for Heat Pump applications.

COMPONENT SELECTION



¹ A conventional, non-communicating outdoor unit may also be used as long as the indoor unit is iComfort®-enabled.

NOTE - Dual Fuel Systems - Only iComfort®-enabled communicating heat pump outdoor units may be used with a dual fuel system.



ZONING HARMONY III™ ZONING SYSTEM

PRODUCT CATALOG

Zone Control for Residential, Variable Air Volume Heating/Cooling Systems

Page 5
January 2016
Supersedes June 2015

FEATURES

Harmony III™ Zone Control (X9953) is capable of controlling up to four separate zones.

Panel is capable of controlling multi-stage equipment, 2 heat / 2 cool conventional heating/cooling systems and 3 heat / 2 cool heat pump and dual fuel systems.

System consists of the Control Panel, discharge air sensor (furnished), field-supplied duct-mounted motorized zone dampers with a thermostat in each zone.

Discharge Air Sensor (furnished) - sends information back to the zone control board so the board can control first and second stage heating and cooling based on discharge air temperature.

Panel is powered by a separate stand-alone transformer.

Zone dampers are automatically controlled to supply air flow only to zones with a thermostat demand.

Individual air volumes for heating or cooling are available to each zone. Round or rectangular dampers can be used.

Zoning system allows temperature setback in unoccupied areas while maintaining comfort in occupied areas.

Auto-changeover control from any zone thermostat or control heating/cooling mode to all zones from the zone 1 thermostat.

Compatible with standard heat/cool electronic thermostats (non-power robbing). See recommended thermostats.

The Control Panel will control a dual fuel system. The dual fuel system is set up so that the first and second stage compressor operation turns off before the auxiliary heat is turned on. Dual fuel mode effects auxiliary heat operation only.



Microprocessor controlled panel contains all necessary relays and controls to operate the system.

Automatic reset in case of operation error or power failure.

Built-in time delay function (5 minutes) prevents short cycling of system.

3A (slow-blow) fuse protects panel from shorts in the thermostat and damper field wiring. Spare 3A fuse included.

Cabinet and removable cover constructed of high impact plastic. Holes for mounting are furnished and electrical inlets are provided in cabinet.

Dimensions (H x W x D): 12 x 9-1/2 x 2-1/4 in.

Shipping weight: 2 lbs.

Power requirements: 24VAC (18-30VAC).

LIMITED WARRANTY

All covered components - two year limited warranty

Refer to Lennox Equipment Limited Warranty certificate included with unit for specific details.

System Equipment Data

For furnace data, see Gas Furnaces section.

For air handler unit data, see Air Handlers section.

For air conditioning units data, see Air Conditioners section.

For heat pump data, see Heat Pump Outdoor Units section.

For add-on indoor coil unit data, see Indoor Coils section.

ACCESSORIES

Balance Point Sensor - 56A87

Used to lock out the heat pump at low ambient conditions (below the system balance point).

Defrost Tempering Switch - 67M41

For Dual-Fuel Heat Pump applications only

Transformer

24VAC transformer is required for operation of Zone Control Panel, thermostats and zone dampers.

Transformer size is determined by the total power requirements of the control panel, thermostats and damper.

120/208/240V primary / 24V secondary - 40VA	10P17
120/208/240V primary / 24V secondary - 50VA	10P87
120/208/240V primary / 24V secondary - 75VA	12P61
4 in. square Electrical Box	83P74

Whole Home Dehumidification Operation - Humiditrol® (39W67)

Harmony III™ Zone Control can be used with the Humiditrol Whole Home Dehumidification System.

A separate Humiditrol® Zoning Accessory must be used for proper operation.

ACCESSORIES CONTINUED ON NEXT PAGE

NOTE - Due to Lennox' ongoing commitment to quality, Specifications, Ratings and Dimensions subject to change without notice and without incurring liability. Improper installation, adjustment, alteration, service or maintenance can cause property damage or personal injury. Installation and service must be performed by a qualified installer and servicing agency.

ACCESSORIES

Pressure Switch - 27W13

For R-410A systems

Required for applications with a Lennox heat pump.

Guards against high head pressures during first- and second-stage heating.

Zone Thermostats

A single-stage, non-heat pump, non-power-robbing electronic thermostat is required for each zone.

Recommended thermostats include ComfortSense® 7500 (**13H14**), ComfortSense® 5500 (**13H13**), ComfortSense® 3000 (**51M34**), **51M32**) See Controls Section and Lennox Price Book for additional thermostats.

Dampers - see Page 3

Any style 24VAC damper is compatible with Harmony III™ Zoning System.

Spring-open/power-close dampers are the preferred; however, power-open/spring-close and power-open/power-close dampers can be used.

At least one damper per zone is required.

DAMPERS

**ZONE DAMPERS ROUND
Power Close / Spring Open**

6 in. Round	X4207
7 in. Round	X4208
8 in. Round	X4209
9 in. Round	X4210
10 in. Round	X4211
12 in. Round	X4213
14 in. Round	X4214
16 in. Round	X4215

**ZONE DAMPERS RECTANGULAR
Power Close / Spring Open**

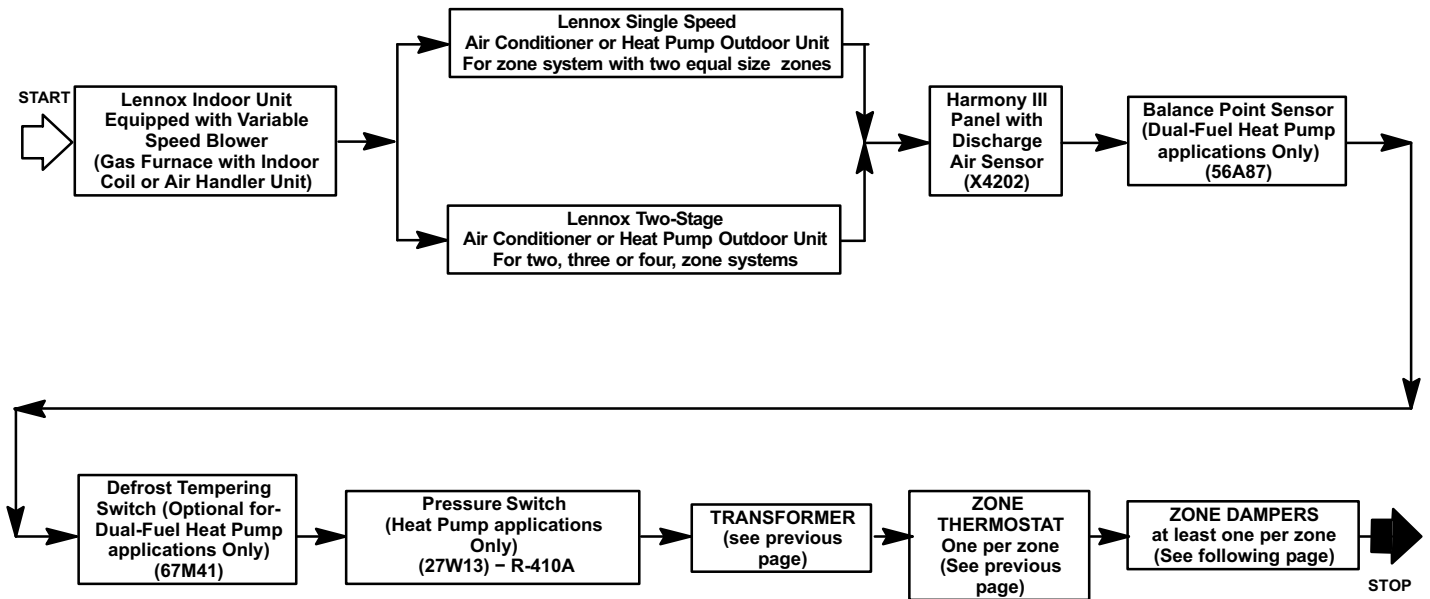
Bottom Mount - Two Wire	
8 in. x 10 in.	X4252
8 in. x 12 in.	X4253
8 in. x 14 in.	X4254
8 in. x 16 in.	X4255
8 in. x 18 in.	X4256
8 in. x 20 in.	X4257
8 in. x 22 in.	X4258
8 in. x 24 in.	X4259
10 in. x 12 in.	X4260
10 in. x 14 in.	X4261
10 in. x 16 in.	X4262
10 in. x 18 in.	X4263
10 in. x 20 in.	X4264
10 in. x 22 in.	X4265
10 in. x 24 in.	X4266
12 in. x 14 in.	X4267
12 in. x 16 in.	X4268
12 in. x 18 in.	X4269
12 in. x 20 in.	X4270
12 in. x 22 in.	X4271
12 in. x 24 in.	X4272

**ZONE DAMPERS RECTANGULAR
Power Close / Spring Open**

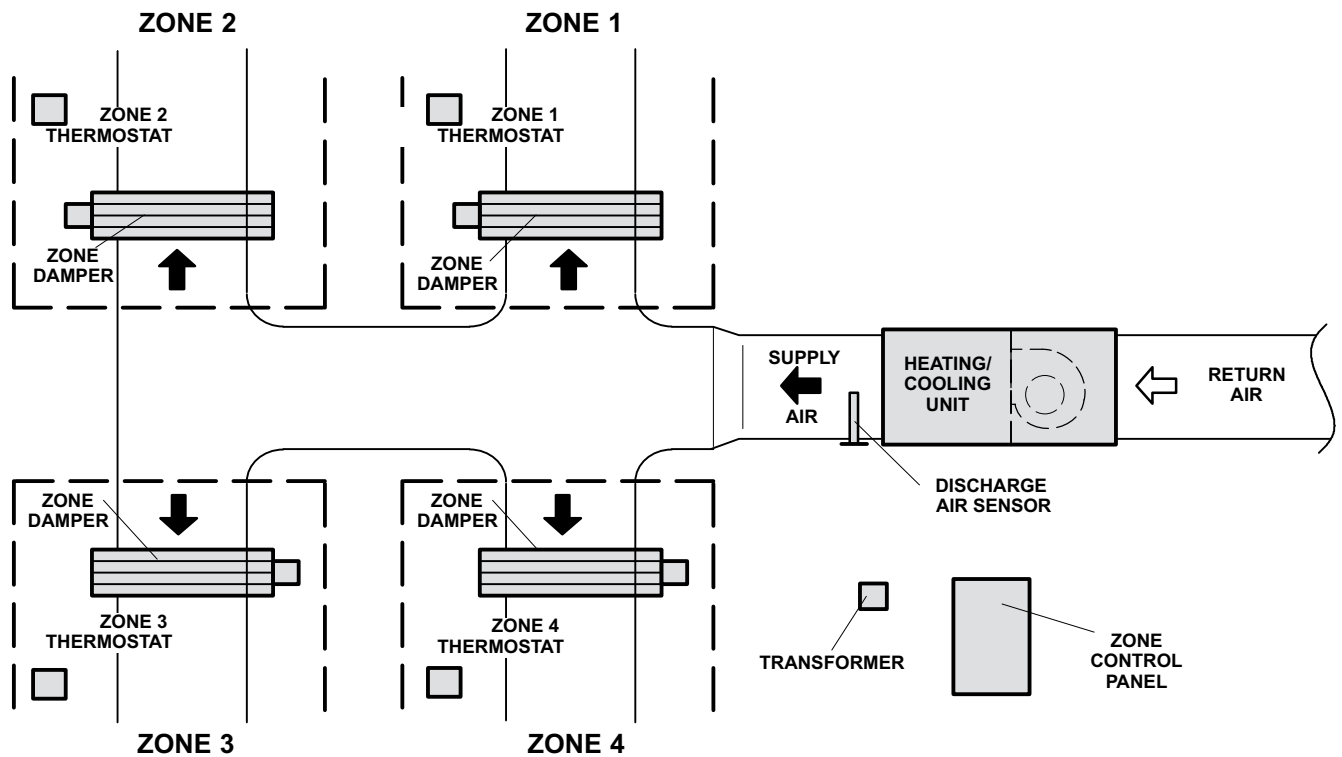
Side Mount - Two Wire	
8 in. x 8 in.	X4216
8 in. x 10 in.	X4217
8 in. x 12 in.	X4218
8 in. x 14 in.	X4219
8 in. x 16 in.	X4220
8 in. x 18 in.	X4221
8 in. x 20 in.	X4222
8 in. x 22 in.	X4223
8 in. x 24 in.	X4224
8 in. x 26 in.	X4225
8 in. x 28 in.	X4226
8 in. x 30 in.	X4227
10 in. x 10 in.	X4228
10 in. x 12 in.	X4229
10 in. x 14 in.	X4230
10 in. x 16 in.	X4231
10 in. x 18 in.	X4232
10 in. x 20 in.	X4233
10 in. x 22 in.	X4234
10 in. x 24 in.	X4235
10 in. x 26 in.	X4236
10 in. x 30 in.	X4238
12 in. x 12 in.	X4239
12 in. x 14 in.	X4240
12 in. x 16 in.	X4241
12 in. x 18 in.	X4242
12 in. x 20 in.	X4243
12 in. x 22 in.	X4244
14 in. x 14 in.	X4246
14 in. x 16 in.	X4247
14 in. x 18 in.	X4248
14 in. x 20 in.	X4249
14 in. x 22 in.	X4250
14 in. x 24 in.	X4251

NOTE – Due to Lennox' ongoing commitment to quality, Specifications, Ratings and Dimensions subject to change without notice and without incurring liability. Improper installation, adjustment, alteration, service or maintenance can cause property damage or personal injury. Installation and service must be performed by a qualified installer and servicing agency.

COMPONENT SELECTION



TYPICAL SYSTEM LAYOUT



NOTE - Due to Lennox' ongoing commitment to quality, Specifications, Ratings and Dimensions subject to change without notice and without incurring liability. Improper installation, adjustment, alteration, service or maintenance can cause property damage or personal injury. Installation and service must be performed by a qualified installer and servicing agency.

FEATURES

Zoning System

LZP-4 Zone Control Panel (**X3786**) is capable of controlling up to four separate zones.

Panel is capable of controlling multi-stage equipment, 2 heat / 2 cool conventional heating/cooling systems and 3 heat, 2 cool heat pump and dual fuel systems.

System consists of the LZP-4 Zone Control Panel, discharge air sensor (furnished), field supplied duct mounted motorized zone dampers with a thermostat in each zone and a field supplied bypass damper.

Panel is powered by a separate stand-alone transformer.

Zone dampers are automatically controlled to supply air flow only to zones with a thermostat demand.

Individual air volumes for heating or cooling are available to each zone.

Round or rectangular dampers can be used.

Zoning system allows temperature setback in unoccupied areas while maintaining comfort in occupied areas.

Auto-changeover control from any zone thermostat or control heating/cooling mode to all zones from the zone 1 thermostat.

Compatible with standard heat/cool or heat pump electronic thermostats (non-power robbing). See recommended thermostats.

Not for use with variable-speed gas furnaces or electro-mechanical thermostats.

Zone Control Panel

Microprocessor controlled panel contains all necessary relays and controls to operate the system.

Automatic reset in case of operation error or power failure.



Built-in time delay function (4 minutes) prevents short cycling of system.

3A fuse protects panel from shorts in the thermostat and damper field wiring. Spare 3A fuse included.

Cabinet and removeable cover constructed of high impact plastic. Holes for mounting are furnished and electrical inlets are provided in cabinet.

Dimensions (H x W x D):
12 x 9-1/2 x 2 in.

Shipping weight: 2 lbs.

Power requirements: 24VAC (18-30VAC).

Discharge Air Sensor (furnished)

Field installed in supply air plenum. Senses discharge air temperature to control system based on low temperature and high temperature limit DIP switch settings on Zone Control Panel.

ACCESSORIES

Transformers

Zone Control Panel and thermostats require 10VA, dampers require 10VA each

10P17 - 40VA Transformer, 120/208/240V primary, 24V secondary

10P87 - 50VA Transformer, 120/208/240V primary, 24V secondary

12P61 - 75VA Transformer, 120/208/240V primary, 24V secondary

83P74 - Electrical Box, 4 in. square

Dampers - see Page 2

Zone Thermostats

Any single-stage, heating/cooling, digital, electronic thermostat with 24VAC common terminal may be used. Recommended thermostats:

13H13 - ComfortSense® 5500 Touchscreen Thermostat - 1 Heat/1 Cool, Single stage gas/electric and single stage heat pumps

51M34 - ComfortSense® 3000 Thermostat - 1 Heat/1 Cool, Single stage gas/electric

51M35 - ComfortSense® 3000 Thermostat - 2 Heat/2 Cool, Single stage gas/electric

51M37 - ComfortSense® 3000 Thermostat - 3 Heat/2 Cool heat pump

See Controls Section and Lennox Price Book for additional thermostats.

LIMITED WARRANTY

Limited Warranty

Zone Control Panel - Two years
Refer to Lennox Equipment Limited Warranty certificate included with unit for specific details.

NOTE - Due to Lennox' ongoing commitment to quality, Specifications, Ratings and Dimensions subject to change without notice and without incurring liability. Improper installation, adjustment, alteration, service or maintenance can cause property damage or personal injury. Installation and service must be performed by a qualified installer and servicing agency.



PRODUCT CATALOG

**Dual Zone Control Panel
For Residential, Non-Variable Air Volume, Heating/Cooling Systems
Not for Heat Pump Systems**

Page 10

January 2016

Supersedes June 2015

FEATURES

Zoning System

LZP-2 Zone Control Panel (**X3785**) is capable of controlling up to two separate zones.

Panel is coupled with a single, non-variable speed indoor unit (gas/oil) and a single stage air conditioning unit.

Panel can be used with two-stage equipment when staging is controlled by the heating/cooling equipment.

System consists of the LZP-2 Zone Control Panel, discharge air sensor (furnished), field supplied duct mounted motorized zone dampers with a thermostat in each zone, and a field supplied bypass damper.

Panel is powered by a separate stand-alone transformer.

Zone dampers are automatically controlled to supply air flow only to zones with a thermostat demand.

Individual air volumes for heating or cooling are available to each zone.

Round or rectangular dampers can be used.

Zoning system allows temperature setback in unoccupied areas while maintaining comfort in occupied areas.

Auto-changeover control from any zone thermostat.

Compatible with standard heat/cool electronic thermostats (non-power robbing).

Not for use with variable-speed gas furnaces, heat pump systems or electro-mechanical thermostats.



Zone Control Panel

Microprocessor controlled panel contains all necessary relays and controls to operate the system.

Automatic reset in case of operation error or power failure.

Built-in time delay function (4 minutes) prevents short cycling of system.

3A fuse protects panel from shorts in the thermostat and damper field wiring. Spare 3A fuse included.

Cabinet and removable cover constructed of high impact plastic.

Holes for mounting are furnished and electrical inlets are provided in cabinet.

Dimensions (H x W x D):

5 x 10-1/2 x 2 in.

Shipping weight: 2 lbs.

Power requirements: 24VAC (18-30VAC).

Discharge Air Sensor (furnished)

Field installed in supply air plenum.

Senses discharge air temperature to control system based on low temperature and high temperature limit jumper settings on Zone Control Panel.

LIMITED WARRANTY

Zone Control Panel - Two years
Refer to Lennox Equipment Limited Warranty certificate included with unit for specific details.

ACCESSORIES

Transformers

Zone Control Panel and thermostats require 10VA, dampers require 10VA each

10P17 - 40VA Transformer, 120/208/240V primary, 24V secondary

10P87 - 50VA Transformer, 120/208/240V primary, 24V secondary

12P61 - 75VA Transformer, 120/208/240V primary, 24V secondary

83P74 - Electrical Box, 4 in. square

Dampers - see Page 2

Zone Thermostats

Any single-stage, heating/cooling, digital, electronic thermostat with 24VAC common terminal may be used. Recommended thermostats:

13H13 - ComfortSense® 5500 Thermostat - 1 Heat/1 Cool, Single stage gas/electric and single stage heat pumps

51M34 - ComfortSense® 3000 Thermostat - 1 Heat/1 Cool, Single stage gas/electric and single stage heat pump



PRODUCT CATALOG

FEATURES

The iComfort® S30 Thermostat recognizes and connects to all iComfort®-enabled products to automatically configure and control the heating/cooling system (based on user-specified settings) for the highest level of comfort, performance and efficiency. Also recognizes model and serial number information for iComfort®-enabled products to simplify system setup.

Advanced iComfort® controls in specific heating and cooling units communicate information about various operating parameters to the thermostat to constantly maintain the most efficient operating conditions possible. Additional conventional (not iComfort®-enabled) indoor air quality comfort products (PureAir™ Air Purification System, Healthy Climate® Humidifiers, Humiditrol® Enhanced Dehumidification Accessory, Healthy Climate® Energy/Heat Recovery Ventilators, Healthy Climate® Germicidal Lights) can be added to the system for a complete total-comfort system.

Conventional outdoor units (not iComfort®-enabled) can easily be added and controlled by the iComfort® S30 Thermostat.

A simple easy-to-use touchscreen allows complete system configuration. Scheduled maintenance alerts, system warnings and troubleshooting are also displayed on thermostat screen.

One-Touch Away Mode - A quick and easy way to set the cooling and heating setpoints while away.

Smart Away™ - Schedule IQ™ uses geo-fencing technology to determine when homeowner is within a predetermined distance from the home to operate system when leaving, away and arriving.

Weather-On-Demand - Live up-to-date

NOTE - Due to Lennox' ongoing commitment to quality, Specifications, Ratings and Dimensions subject to change without notice and without incurring liability. Improper installation, adjustment, alteration, service or maintenance can cause property damage or personal injury. Installation and service must be performed by a qualified installer and servicing agency.



weather data and five-day forecasts. Optional iComfort® Equipment Interface Module (EIM) allows operation with conventional HVAC systems. Applicable to the iHarmony® Zoning System.

Easy to read 7 in. high definition color display. Installer setup screens allow quick and simple system configuration without a manual.

Installer can also run tests on complete system or individual components for easy maintenance and troubleshooting.

Dealer Dashboard features online real-time monitoring of installed iComfort systems.

Serial communications bus (RSBus), with less wiring than a conventional heating/cooling system, allows system communication. Uses 4-wire, 18-gauge standard thermostat wiring.

High Definition Color Display, Mag-Mount, Smart Hub Controller, wallplate (for retrofit installations) furnished for easy installation.

LIMITED WARRANTY

Five-year limited warranty in residential applications.

Refer to Lennox Equipment Limited Warranty certificate included with unit for specific details.

CONTROL ORDERING INFORMATION

Description	Catalog No.
iComfort® S30 Thermostat - Dimensions (H x W x D) - 5 x 7-1/2 x 1 in.	12U67
Equipment Interface Module (EIM)	10T50
¹ Optional Outdoor Air Temperature Sensor	X2658
² Discharge Air Temperature Sensor	88K38

¹ The Optional Outdoor temperature Sensor may be used with an iComfort equipped outdoor unit for a secondary (alternate) sensor reading.

Optional Outdoor Air Temperature Sensor may be ordered for use with a conventional outdoor unit.

² Required with Air Handler applications when using EVENHEATER® option. Optional on all other applications for service diagnostics

CONTROLS iCOMFORT® S30 4 Heat / 2 Cool

Wi-Fi Thermostat

Page 1

January 2016

Supersedes June 2015

REMOTE ACCESS

Wi-Fi remote monitoring and adjustment through a home wireless network for desktop PCs, laptops and apps for smartphones or tablets. Service alerts and reminders.



The free iComfort® Thermostat App and Mobile Setup App is available for use on iPhone®, iPad®, and Android™ devices.

iComfort Thermostat App



iComfort Mobile Setup App



(Click icon)

MATCHING PRODUCTS

Air Conditioners/Heat Pumps

- XC20, XC25 / XP20, XP25 Variable Capacity
- XC21, XP21 Two-Stage
- SL18XC1, XC17 / SL18XP1, XP17 Single-Stage

Furnaces

- SLP98V Variable-Capacity, Variable-Speed, SL280V/EL196V Two-Stage, Variable-Speed

Air Handlers

- CBX40UHV/CBX32MV Variable-Speed



PRODUCT CATALOG

FEATURES

The iComfort Wi-Fi® Thermostat recognizes and connects to all iComfort®-enabled products to automatically configure and control the heating/cooling system (based on user-specified settings) for the highest level of comfort, performance and efficiency. Also recognizes model and serial number information for iComfort®-enabled products to simplify system setup.

Advanced iComfort® controls in specific heating and cooling units communicate information about various operating parameters to the thermostat to constantly maintain the most efficient operating conditions possible. Additional conventional (not iComfort®-enabled) indoor air quality comfort products (PureAir™ Air Purification System, Healthy Climate® Humidifiers, Humiditrol® Enhanced Dehumidification Accessory, Healthy Climate® Energy/Heat Recovery Ventilators, Healthy Climate® Germicidal Lights) can be added to the system for a complete total-comfort system.

Conventional outdoor units (not iComfort®-enabled) can easily be added and controlled by the iComfort Wi-Fi® Thermostat.

A simple easy-to-use touchscreen allows complete system configuration. Scheduled maintenance alerts, system warnings and troubleshooting are also displayed on thermostat screen.

One-Touch Away Mode - A quick and easy way to set the cooling and heating setpoints while away.

Weather-On-Demand - Live up-to-date weather data and five-day forecasts.

Optional iComfort® Equipment Interface Module (EIM) allows operation with conventional HVAC systems.



Applicable to the iHarmony® Zoning System.

Easy to read 7 in. color screen (measured diagonally).

Installer setup screens allow quick and simple system configuration without a manual.

Installer can also run tests on complete system or individual components for easy maintenance and troubleshooting.

Dealer Dashboard features online real-time monitoring of installed iComfort systems.

Serial communications bus (RSBus), with less wiring than a conventional heating/cooling system, allows system communication. Uses 4-wire, 18-gauge standard thermostat wiring.

Subbase (with terminal strip) and all necessary mounting hardware is furnished for easy installation.

See Product Specifications bulletin for complete user programming and installer setup information.

LIMITED WARRANTY

Five-year limited warranty in residential applications.

Refer to Lennox Equipment Limited Warranty certificate included with unit for specific details.

CONTROL ORDERING INFORMATION

Description	Catalog No.
iComfort W-Fi® Thermostat Dimensions (H x W x D) - 5 x 7-1/2 x 1 in.	10F81
iComfort Wi-Fi® Flex Thermostat and Equipment Interface Module (EIM)	11U61
¹ Optional Outdoor Air Temperature Sensor	X2658
² Discharge Air Temperature Sensor	88K38

¹ The Optional Outdoor temperature Sensor may be used with an iComfort equipped outdoor unit for a secondary (alternate) sensor reading.

Optional Outdoor Air Temperature Sensor may be ordered for use with a conventional outdoor unit.

² Required with Air Handler applications when using EVENHEATER® option. Optional on all other applications for service diagnostics

CONTROLS ICOMFORT WI-FI®

4 Heat / 2 Cool

Wi-Fi Thermostat

Page 2

January 2016

Supersedes June 2015

REMOTE ACCESS

Wi-Fi remote monitoring and adjustment through a home wireless network for desktop PCs, laptops and apps for smartphones or tablets. Service alerts and reminders.

The free iComfort® app is available for use on iPhone®, iPad®, Android™ and Windows® 8 devices.



MATCHING PRODUCTS

Air Conditioners/Heat Pumps

- XC25/XC20 Variable Capacity, XC21 Two-Stage, XC17/SL18XC1 Single-Stage
- XP25/XP20 Variable Capacity, XP21 Two-Stage, XP17 Single-Stage

Furnaces

- SLP98V Variable-Capacity, Variable-Speed, SL280V Two-Stage, Variable-Speed
- EL196V Two-Stage, Variable-Speed

Air Handlers

- CBX40UHV/CBX32MV Variable-Speed

NOTE - Due to Lennox' ongoing commitment to quality, Specifications, Ratings and Dimensions subject to change without notice and without incurring liability. Improper installation, adjustment, alteration, service or maintenance can cause property damage or personal injury. Installation and service must be performed by a qualified installer and servicing agency.

©2016 Lennox Industries Inc.



ATTENTION - The Lennox iComfort® Thermostat with Equipment Interface Module (EIM) will work with most 24VAC furnaces, air conditioners, air handlers and heat pumps (up to 3 stages of heat and 2 stages of cooling), **EXCEPT** it will NOT work with any brand of communicating HVAC equipment other than LENNOX®.

Conventional thermostat wiring connects the EIM to the non-communicating indoor/outdoor unit equipment.

Jumpers are furnished to configure type of indoor unit and heating stages.

Terminal connections are furnished for the iComfort® thermostat, non-communicating conventional indoor/outdoor unit and dual-fuel non-communicating heat pump.

Connections are also furnished for an Outdoor Air Temperature Sensor and Discharge Air temperature Sensor. Sensors must be ordered separately.

Case

Constructed of high impact ABS plastic.
Hinged cover with latching tabs prevents tampering.
Can be mounted on the side of the indoor unit or a nearby stud or wall.
Dimensions (H x W x D): 6-1/8 x 7-1/2 x 1-3/8 in. (156 x 191 x 35 mm)
Weight: 1 lb.

FEATURES

The Equipment Interface Module (EIM) allows the iComfort® Thermostat to be used with most non-communicating HVAC systems. The EIM allows most conventional, non-communicating furnaces or air handlers (up to 3 stages heating and 2 stages cooling) to emulate an iComfort®-enabled communicating indoor unit (with reduced communication features).

NOTE - Most conventional outdoor/indoor unit and most iComfort®-enabled 'outdoor units can be used in the system.

¹ *NOTE - Not for use with XC20/ XC25 or XP20/XP25 outdoor units.*

Additional conventional (not iComfort®-enabled) indoor air quality comfort products (PureAir™ Air Purification System, Healthy Climate® Humidifiers, Humiditrol® Enhanced Dehumidification Accessory, Healthy Climate® Energy/Heat Recovery Ventilators, Healthy Climate® Germicidal Lights) can be added for a complete total-comfort system.

EIM Module

Contains all necessary relays and controls to emulate an iComfort®-enabled indoor unit.

Module has two green LEDs. One indicates status and aids in troubleshooting, a second LED indicates RSBUS communication.

Any system alerts/warnings are transmitted to the iComfort® Thermostat.

Serial communications bus (RSBUS), with less wiring than a conventional heating/cooling system, allows system communication. Uses 4-wire, 18-gauge standard thermostat wiring for connection to the iComfort® Thermostat.

ORDERING INFORMATION

Description	Catalog No.
iComfort Wi-Fi® Flex Thermostat and Equipment Interface Module (EIM)	11U61
Equipment Interface Module (EIM)	10T50
¹ Optional Outdoor Air Temperature Sensor	X2658
² Discharge Air Temperature Sensor	88K38

¹ Remote Outdoor Air Temperature Sensor is used with conventional (non-iComfort®-enabled) outdoor units (sensor is furnished with iComfort®-enabled outdoor units). Allows the thermostat to display outdoor temperature. Required in dual-fuel and Humiditrol® applications.

² Optional for indoor air service diagnostics.



FEATURES

Electronic 7-day, universal, multi-stage, programmable, touchscreen thermostat.

Enhanced capabilities including humidification / dehumidification / dewpoint measurement and control, Humiditrol® control, and equipment maintenance reminders.

LCD display with backlight shows the current and set temperature, time, inside relative humidity, system status (operating mode and schedules) and outside temperature (if optional outdoor sensor is used). Menu-driven programming guides user through the scheduling process showing only necessary information on each screen.

Touchscreen interaction.

Ergonomic design.

Smooth Setback Recovery starts system early to achieve setpoint at start of program period.

Compressor short-cycle protection (5 minutes).

Real-time clock keeps time during power failures and automatically updates to daylight savings.

Maintenance reminders let user know when to service or replace filters, PureAir® metal insert, humidifier pads, ultraviolet lamps, plus two user or installer defined custom reminders.

Up to three separate schedules for individual days of the week, week/weekend (5/2 day) or all 7-days the same with up to 4 time periods per day.

Temporarily override the program schedule as desired by time.

Programmable fan offers increased air quality when combined with a whole house air indoor air quality product.



ComfortSense®

Permanent memory storage of programs.

Non-volatile memory maintains all programming in the event of a power outage.

Factory preset program settings conform to EPA ENERGY STAR® recommended setpoints.

Temperature setpoint range:
Heating - 45 to 90°F
Cooling - 45 to 99°F

Humidity Setpoint Range:
Humidification mode: 15 to 45% relative humidity

Dehumidification mode: 35 to 60% relative humidity

Power Supply: 24VAC (18 to 30VAC maximum), 50/60Hz

Clock Accuracy: ± 10 minutes per year

Dimensions (H x W x D):
3-5/16 x 4-5/16 x 7/8 in.
(84 x 110 x 22 mm)

Wallplate furnished

LIMITED WARRANTY

Five-year limited warranty in residential applications.

Refer to Lennox Equipment Limited Warranty certificate included with unit for specific details.

ORDERING INFORMATION

13H14 - 4 Heat/2 Cool, Universal Multi-Stage, for gas, oil, electric and heat pumps (includes dual fuel operation).

Terminals: Tc, To, H, D, W2, Y2, O, B, C, G, W1, Y1, R

ACCESSORIES

X2658 - Outdoor Temperature Sensor allows thermostat to display outdoor temperature.



NOTE - Sensor is required in dual fuel applications, Humiditrol® applications and Humidity Settings / Humidity / Dewpoint operation (see Installer Settings).

NOTE - Due to Lennox' ongoing commitment to quality, Specifications, Ratings and Dimensions subject to change without notice and without incurring liability. Improper installation, adjustment, alteration, service or maintenance can cause property damage or personal injury. Installation and service must be performed by a qualified installer and servicing agency.



FEATURES

Electronic 7-day, single-stage, programmable, touchscreen thermostat with maintenance reminders.

LCD display with backlight shows the current and set temperature, time and system status (operating mode and schedules).

Menu-driven programming guides user through the scheduling process showing only necessary information on each screen.

Touchscreen interaction.

Ergonomic design.

Smooth Setback Recovery starts system early to achieve setpoint at start of program period.

Compressor short-cycle protection (5 minutes, adjustable).

Real-time clock keeps time during power failures and automatically updates to daylight savings.

Maintenance reminders let user know when to service or replace filters, PureAir® metal insert, humidifier pads, ultraviolet lamps, plus two user or installer defined custom reminders.

Up to three separate schedules for individual days of the week, week/weekend (5/2 day) or all 7-days the same with up to 4 time periods per day.

Temporarily override the program schedule as desired by time.

Programmable fan offers increased air quality when combined with a whole house air indoor air quality product.

Permanent memory storage of programs.

Wallplate furnished



ComfortSense®

LIMITED WARRANTY

Five-year limited warranty in residential applications.

Refer to Lennox Equipment Limited Warranty certificate included with unit for specific details.

ORDERING INFORMATION

13H13 - 1 heat / 1 cool control for use with conventional residential heating/cooling (non-heat pump) systems only.

Terminals: C, G, W1, Y1, R

Temperature Setting Range:
Heating, 45 to 90°F, Cooling, 45 to 99°F

Power Supply: 24VAC (18 to 30VAC maximum), 50/60Hz.

Dimensions (H x W x D) -
3-5/16 x 4-5/16 x 7/8 in.
(84 x 110 x 22 mm)



FEATURES

- Large, back-lit, easy-to-read LCD screen.
- Digital display offers more accurate control of temperature settings than mechanical controls.
- Large buttons are easy to push.
- Sleek, modern appearance works well with any decor.
- System status icons show when the HVAC system is running.
- Filter monitor displays when it is time to service the HVAC system filter.
- Service monitor indicates when the cooling system is not operating properly.
- Gradually changes room temperature to next program period for increased comfort.
- Hard-wired to the indoor unit power supply. No batteries to change.
- Heat pump model can be used in dual-fuel applications or applications with auxiliary heat lockout. Requires optional outdoor temperature sensor.
- Five-minute compressor short-cycle protection.
- Minimum cycle time of 6 minutes.
- 5-2 day programming, four time periods per day.
- Day/Time button allows quick clock setting changes.
- Heat/Cool buttons simplify setting precise heating and cooling temperatures
- Fan button selects continuous or automatic blower operation.
- Programming button sets, reviews, or changes schedule.
- Hold features will permanently hold setpoints without changing the program.
- Maintains program in memory for 24-hours in the event of a power outage.



- Day and time display will show current day and time.
- Program/Hold indicators show the current program and the program override (hold) status.
- Compressor stage indicators show if the first or second stage of the compressor is activated (if applicable).
- Filter reminder will be displayed when the filter reminder timer expires.
- Room - shows the current room temperature
- Setpoint - shows the set point temperature
- System selector indicators - shows the current selection of system control; COOL, OFF, HEAT, and EMG. HEAT (heat pump usage only). If heating is activated, the system status will show a flame animation. If cooling is activated, the system status will show a snowflake animation.
- Fan selection indicator shows the current selection of fan control which can be ON or AUTO. If the fan is activated, the fan status indicator will show a rotating fan animation.
- The service indicator will show a 1HZ blinking indicator when 24VAC is present at the L terminal and Y1 is on for five minutes.
- LCD backlight turns on for 30 seconds when any key is pressed.

Outdoor Sensor (optional for heat pump usage) is used to control balance points on multi-stage heat pumps.

ORDERING INFORMATION

- L3511C (51M34)** - 1 Heat/1 Cool - Conventional Heat/cool
Terminals: R, C, Y1, W1, G, L
- L3522C (51M35)** - 2 Heat/2 Cool - Conventional Heat/cool
Terminals: R, C, Y1, Y2, W1, W2, G, L
- L3532H (51M37)** - 3 Heat/2 Cool - Universal Heat/Cool or Heat Pump Systems
Terminals: R, C, Y1, Y2, W1, E, O, B, G, L, T, T

ACCESSORIES

- X2658** - Outdoor Temperature Sensor allows thermostat to display outdoor temperature.
NOTE - Sensor is required in dual fuel applications, Humiditrol® applications and Humidity Settings / Humidity / Dewpoint operation (see Installer Settings).
- Wall Plate - X2659**

NOTE - Due to Lennox' ongoing commitment to quality, Specifications, Ratings and Dimensions subject to change without notice and without incurring liability. Improper installation, adjustment, alteration, service or maintenance can cause property damage or personal injury. Installation and service must be performed by a qualified installer and servicing agency.



FEATURES

Large, back-lit, easy-to-read LCD screen.

Digital display offers more accurate control of temperature settings than mechanical controls.

Large buttons are easy to push.

Sleek, modern appearance works well with any decor.

System status icons show when the HVAC system is running.

Continuous or automatic fan/blower operation.

Filter monitor displays when it is time to service the HVAC system filter.

Service monitor indicates when the system compressor is not operating properly.

Hard-wired to the indoor unit power supply. No batteries to change.

Heat pump model can be used in dual-fuel applications or applications with auxiliary heat lockout. Requires optional outdoor temperature sensor.

Equipped with overheat protection in heating mode, a bimetal switch will open Y1, W1 and E if room temperature exceeds 93°F.

Screw terminals on removable sub-base.

Five-minute compressor short-cycle protection.

Minimum run time:
Gas or Electric Heat - 3 minutes
Heat Pump Heating - 4 minutes
Cooling - 4 minutes

LCD backlight turns on for 8 seconds when any key is pressed.

Room - shows the current room temperature.

Setpoint - shows the set point temperature.



System selector indicators - shows the current selection of system control; COOL, OFF, HEAT, and EMG. HEAT (heat pump model only). If heating is activated, the system status will show a flame icon.

If cooling is activated, the system status will show a snowflake icon.

Fan selection indicator shows the current selection of fan control which can be ON or AUTO.

If the fan is activated, the fan status will show a rotating fan icon.

The service status will show a 1HZ blinking indicator when 24VAC or 0VAC is present at the L terminal and Y1 has been activated for at least five minutes.

Temperature set range: 50°F to 90°F

Room temperature display range: 35°F to 99°F

Room temperature display: User selectable Fahrenheit or Celsius.

Fan control: On/Auto

User selectable filter reminder: Off, 1, 3, 6, or 12 months.

Power Supply: 18-30 VAC - 60hz

Memory and filter counters maintained for 24 hours of power outage.

Dimensions: 4-7/8 x 3-1/2 x 1-5/16 in. (125 x 90 x 33)

LIMITED WARRANTY

Two-year limited warranty in residential applications.

Refer to Lennox Equipment Limited Warranty certificate included with unit for specific details.

ORDERING INFORMATION

L3011C (51M32) - 1 Heat/1 Cool - Single stage gas/electric
Terminals: R, C, Y1, W1, G, L

L3021H (51M33) - 2 Heat/1 Cool - Heat pump systems
Terminals: R, C, Y1, W1, E, O, B, G, L, T, T

ACCESSORIES

X2658 - Outdoor Temperature Sensor (For heat pump model only)
Provides balance point control for multi-stage heat pumps.
Sensor uses 22AWG thermostat wire up to 150 ft. long.

X2659 - Wall Plate

NOTE - Due to Lennox' ongoing commitment to quality, Specifications, Ratings and Dimensions subject to change without notice and without incurring liability. Improper installation, adjustment, alteration, service or maintenance can cause property damage or personal injury. Installation and service must be performed by a qualified installer and servicing agency.

FEATURES

System powered. Requires HOT and COMMON from 24 volt transformer.

Easy-to-read vertical LCD that displays complete operation status.

Selectable Fahrenheit or Celsius display.

Fan selector for continuous fan operation.

Maintains the last setpoint and mode of operation following power outages (no battery).

Day/Night button for user selectable alternate setpoint for manual setback.

Built-in anticipation and droop.

Electronic circuitry replaces conventional mechanical anticipation.

2 or 4 minute selectable minimum on/off times.

High temperature thermal cut-off switch.

Built-in short cycle protection.

45-second fan-purge after cooling call.

Keypad lockout option.

Solid state electronic output.

Plenum fan switch.

Thermostat output using relays.

Low profile ABS plastic case with lockable access cover.

Heat pump models feature: selectable reversing valve outputs, auxiliary-heat light indicator, two user-defined lights and adjustable balance point outdoor temporary option.

Automatic changeover

Remote clock terminals

Electrical Rating: 20 to 30 VAC

Ambient Temperature Range:

32 to 115°F



Cooling Temperature Setpoint
Range: 61 to 104°F

Heating Temperature Setpoint
Range: 41 to 86°F

Minimum Heat/Cool Setpoint
Differential: 2°F

Dimensions: 4-1/2 H x 4 W x
7/8 D in.

ORDERING INFORMATION

32M06 - DSL-300LX - 1 Heat/1 Cool, Heat/Cool Systems, Terminals: W1, Y1, G, R, 24V, 24V(C), CLK1, CLK2, RS1, RS2, RSV

32M07 - DSL-450LX - 2 Heat/1 Cool, Heat Pump Systems, Terminals: W1, Y1, G, O, B, R, 24V, 24V(C), LED1, LED2, CLK1, CLK2, RS1, RS2, RSV

13K97 - DSL-600LX - 3 Heat/2 Cool, Heat Pump Systems, Terminals: W1, Y1, G, O, B, R, 24V, 24V(C), LED1, LED2, CLK1, CLK2, RS1, RS2, RSV

REVISIONS

Sections	Description of Change
Air Conditioners	<ul style="list-style-type: none">• Added indoor unit expansion valve catalog number usage (if needed) to Air Conditioner Specifications tables (January 2016)
Air Handlers	<ul style="list-style-type: none">• Added factory installed expansion valve catalog number information to Specifications tables (January 2016)
Gas Furnaces	<ul style="list-style-type: none">• High Altitude Pressure Switches updated for ML193UH 135 model (January 2016)• AFUE revised for SLP98 furnaces (January 2016)
Heat Pumps	<ul style="list-style-type: none">• Added indoor unit expansion valve catalog number usage (if needed) to Heat Pump Specifications tables (January 2016)
Indoor Coils	<ul style="list-style-type: none">• Dimensions updated for C35 and CX35 coils to reflect current product offering (January 2016)• Added factory installed expansion valve catalog number information to Specifications tables (January 2016)